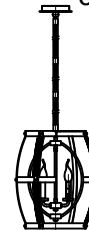




At Home In Any Environment

**Assembly & Installation Instructions for:
312551 Pendant**



Customer Service : (702)361-4345, (800)525-2655, customer.service@kalco.com

WARNING - TO REDUCE THE RISK OF FIRE OR INJURY:

1. If you are unfamiliar with electrical wiring, call a qualified electrician to install this unit. More than one person may be necessary to install fixture, make sure you have enough qualified help.
2. Turn off the power to the fixture's circuit at the service panel. Use a voltage detector to verify that the power is off.
3. DO NOT install bulb which exceeds the maximum wattage specified on the socket label.

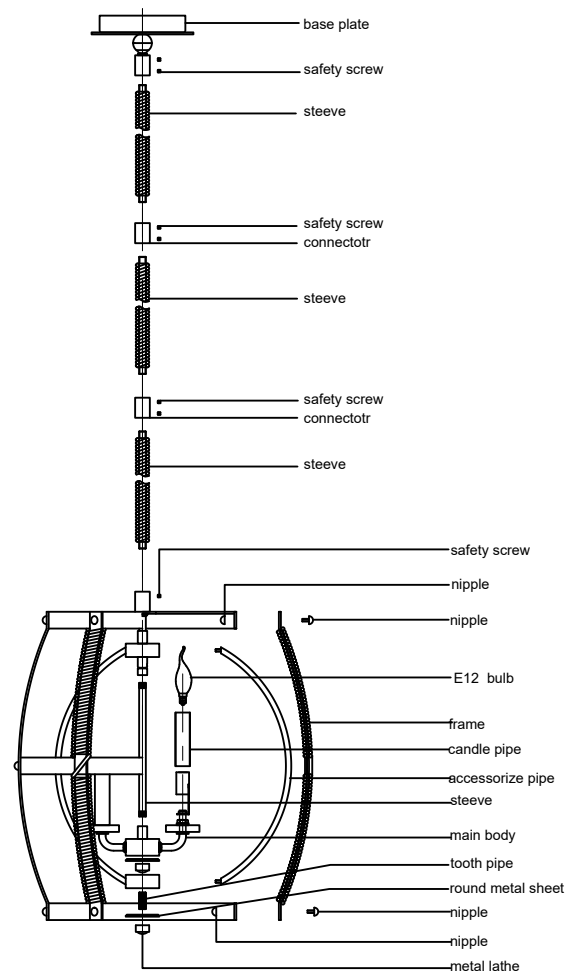
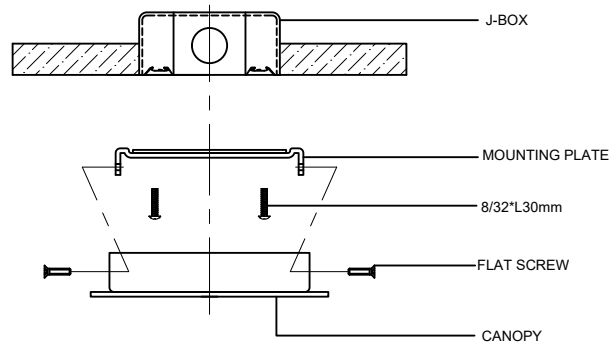
Fixture Assembly

Step 1. Fasten 2 8-32 screws to mounting plate so that they extend away from the wall when mounting plate is installed

Step 2. Attach mounting plate to electrical box using 2 8-32 machine screws
At the same time, install safety to ceiling beam

Step 3. Connect steeve with hub, main body. at the same time, take wire through lamp body, see diagram

Step 4. Move lamp body to ceiling, connect it with mounting block. fix them by nipple. but at the time, must to connect wire. see step 5.





At Home In Any Environment

**Assembly & Installation Instructions for:
312551 Pendant**

Customer Service : (702)361-4345, (800)525-2655, customer.service@kalco.com

Fixture Assembly

Step 5. Refer to wiring diagram.
Splice the ribbed side of fixture cord to the white supply wire from outlet box with wire connector. Splice the smooth side of the fixture cord to black supply wire from outlet box with wire connector

Step 6. Carefully tuck in all wires and raise the canopy to the outlet box . Secure canopy with nuts

Step 7. Install E12 bulbs, do not use bulbs that exceeds 60W, Then take crystal shade on the arm

