



KALCO  
Handcrafted Since 1980

Customer Service : (702)361-4345, (800)525-2655, customer.service@kalco.com

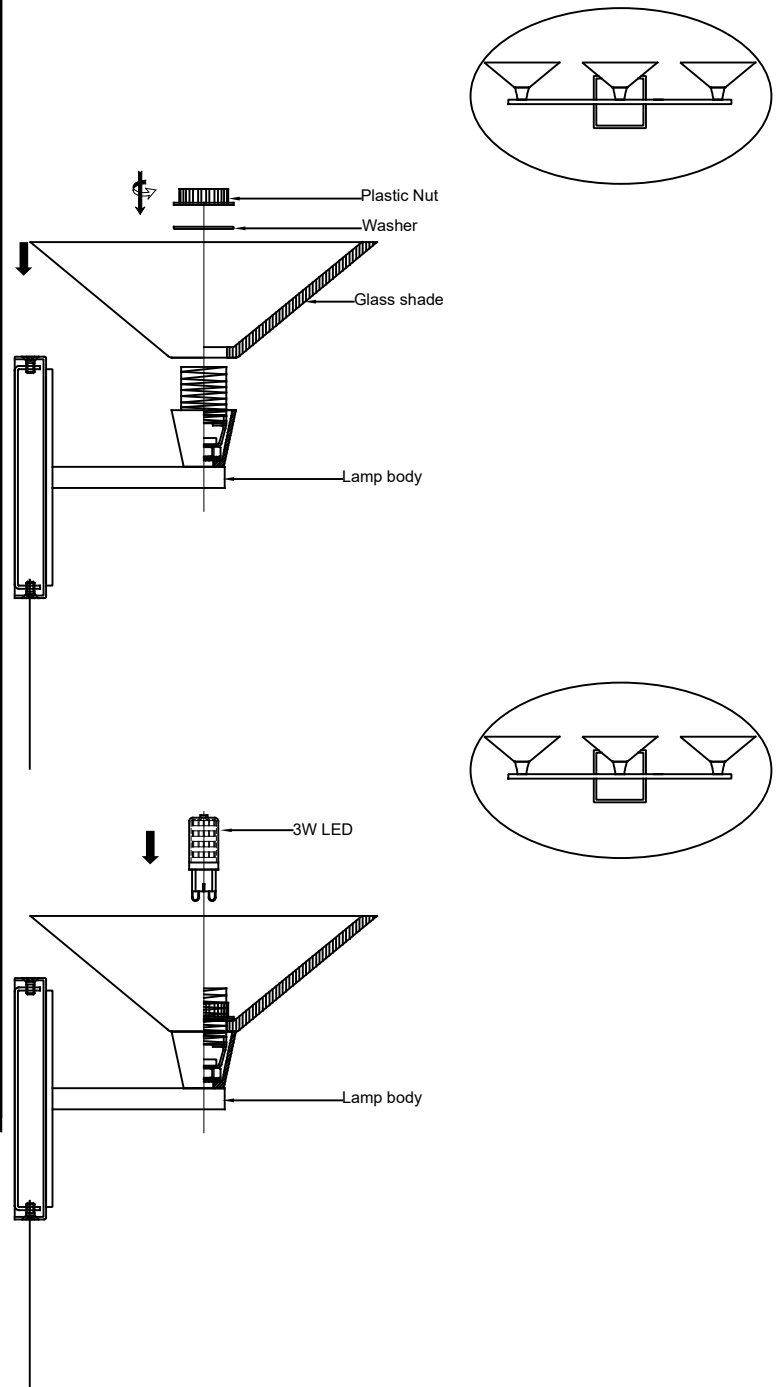
**Fixture Assembly**

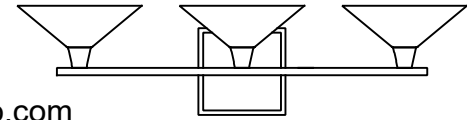
Step 3. Carefully tuck all wires and attach the fixture body to the mounting plate using the two provided grub screws.

Step 4. Remove the plastic nut and washer from the socket.

Step 5. Place glass shade on the socket and secure into place using the plastic nut and washer.

Step 7. Install provided G9 bulbs.





Customer Service : (702)361-4345, (800)525-2655, customer.service@kalco.com

**WARNING - TO REDUCE THE RISK OF FIRE OR INJURY:**

1. If you are unfamiliar with electrical wiring, call a qualified electrician to install this unit. More than one person may be necessary to install fixture, make sure you have enough qualified help.
2. Turn off the power to the fixture's circuit at the service panel. Use a voltage detector to verify that the power is off.
3. DO NOT install bulb which exceeds the maximum wattage specified on the socket label.

**Fixture Assembly**

Step 1. Using (2) 8-32 screws, attach the mounting plate to the junction box.

Step 2. Ensure power is turned off. Wire the fixture to the house wiring (refer to wiring diagram).

