



At Home In Any Environment

Assembly & Installation Instructions for:
315410BPN Pendant



Customer Service :(702)361-4345,(800)525-2655,customer.service@kalco.com

WARNING - TO REDUCE THE RISK OF FIRE OR INJURY:

- 1.If you are unfamiliar with electricalwiring, call a qualified electrician to install this unit .More than one person may be necessary to install fixture ,make sure you have enough qualified help.
- 2.Turn off the power to the fixture's circuit at the service panel. Use a coltage detector to verify that the power is off.
- 3.DO NOT install bulb which exceeds the maximum wattage specified on the socket label.

Fixture Assembly

Step 1. Fasten 2 8-32 screws to mounting plate so that they extend away from the wall when mounting plate is installed

Step 2. Attach mounting plate to electrical box using 2 8-32 machine screws
At the same time,install safety to ceiling beam

Step 3. Screw 6" steeve into Main body.

Step 4. Screw 12" steeve into 6" steeve.

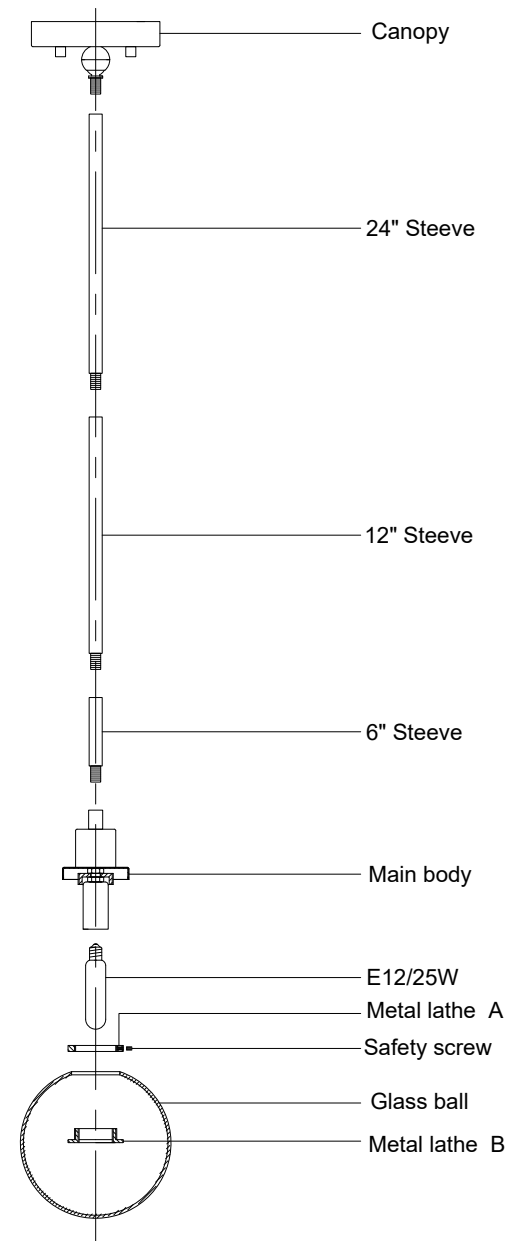
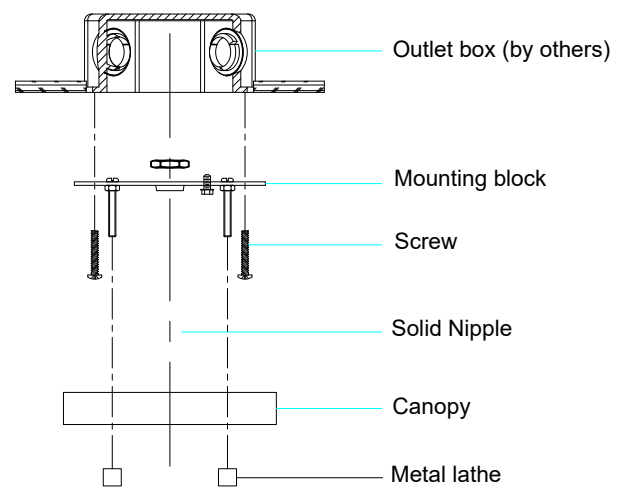
Step 5. Screw 24" steeve into 12" Canopy.

Step 6. Fix part Rolling plate、 Canopy to part 24" Steeve by using nut.

Step 7. Put part metal lathe B through part glass ball then screw to part metal lathe A.

Step 8. Screw part Safety screw to part Metal lathe A.

Step 9. Screw part glass ball to part main body.





At Home In Any Environment

Assembly & Installation Instructions for:
315410BPN Pendant

Customer Service : (702)361-4345, (800)525-2655, customer.service@kalco.com

Fixture Assembly

Step 10. Refer to wiring diagram.
Splice the ribbed side of fixture cord to the white supply wire from outlet box with wire connector. Splice the smooth side of the fixture cord to black supply wire from outlet box with wire connector

Step 11. Carefully tuck in all wires and raise the canopy to the outlet box . Secure canopy with nuts

Step 12. Install E12 bulbs, do not use bulb that exceeds 25W.

