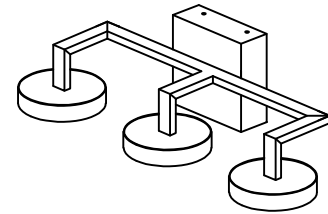




**KALCO**  
Handcrafted Since 1980®  
www.kalco.com

Assembly & Installation Instructions for :  
ITEM NO.: 316533SN



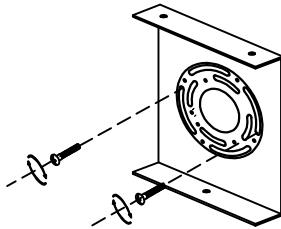
Customer Service : (800)525-2655, [customercare@kalco.com](mailto:customercare@kalco.com)

**WARNING - TO REDUCE THE RISK OF FIRE OR INJURY:**

- 1.If you are unfamiliar with electrical wiring, call a qualified electrician to install this unit. More than one person may be necessary to install fixture, make sure you have enough qualified help.
- 2.Turn off the power to the fixture's circuit at the service panel. Use a voltage detector to verify that the power is off.
3. This fixture includes LED panels and non-dimmable driver.

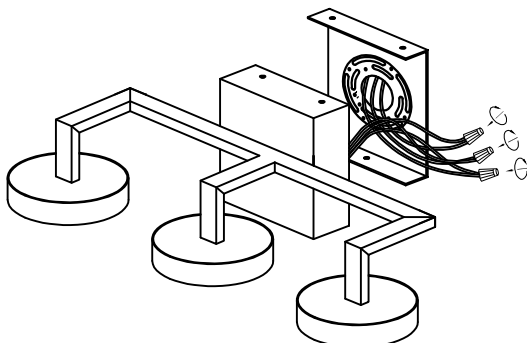
## Fixture Assembly

- 1** Step 1. Attach the mounting plate to junction box using two supplied M4 screws.



- 2** Step 2. Connect the supply wires to fixture wires from driver with wire connectors.

\* Make sure the ground wire is connected properly



- 3** Step 3. Attach the fixture assembly to the mounting plate and secure with supplied screws on top and at bottom.

