



KALCO®

**Assembly & Installation Instructions for:
404522 4LT LARGE WALL BRACKET LAKEWOOD**



If you have any questions or problems assembling your fixture please call us for assistance.

Customer Service: (702) 361-4345 or (800) 525-2655

customer.service@kalco.com

WARNING - TO REDUCE THE RISK OF FIRE OR INJURY PLEASE TAKE PRECAUTION AND FOLLOW THE STEPS BELOW.

1. If you are unfamiliar with electrical wiring, call a qualified electrician to install this unit. More than one person may be necessary to install fixture, make sure you have enough qualified help.
2. Turn off the power to the fixture's circuit at the service panel. Use a voltage detector to verify that the power is off.
3. **DO NOT** install bulb which exceeds the maximum wattage specified on the socket label.

SI VOUS AVEZ DES QUESTIONS OU DES PROBLÈMES ASSEMBLAGE DE VOTRE DISPOSITIF S'IL VOUS PLAÎT APPEL POUR L'ASSISTANCE.

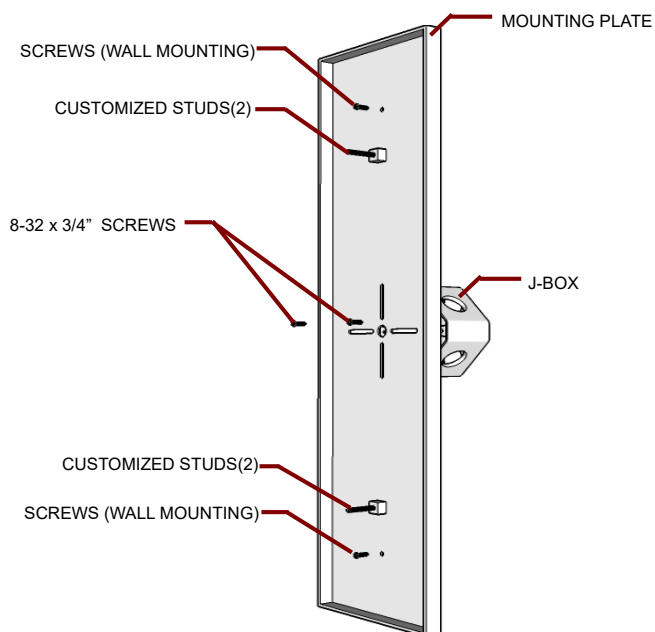
Customer Service: (702) 361-4345 or (800) 525-2655

customer.service@kalco.com

AVERTISSEMENT - POUR RÉDUIRE LES RISQUES D'INCENDIE OU DE BLESSURES S'IL VOUS PLAÎT PRENDRE DES PRÉCAUTIONS ET SUIVEZ LES ÉTAPES CI-DESSOUS.

1. Si vous n'êtes pas familier avec le câblage électrique, appelez un électricien qualifié pour installer cet appareil. Plus d'une personne peut être nécessaire d'installer appareil, assurez vous que vous disposez de l'aide assez qualifié.
2. Coupez l'alimentation au circuit de l'appareil sur le tableau de service. Utiliser un détecteur de tension pour vérifier que l'alimentation est coupée.
3. **NE PAS** installer l'ampoule qui excède la puissance maximale indiquée sur l'étiquette du socket.

Fixture Assembly



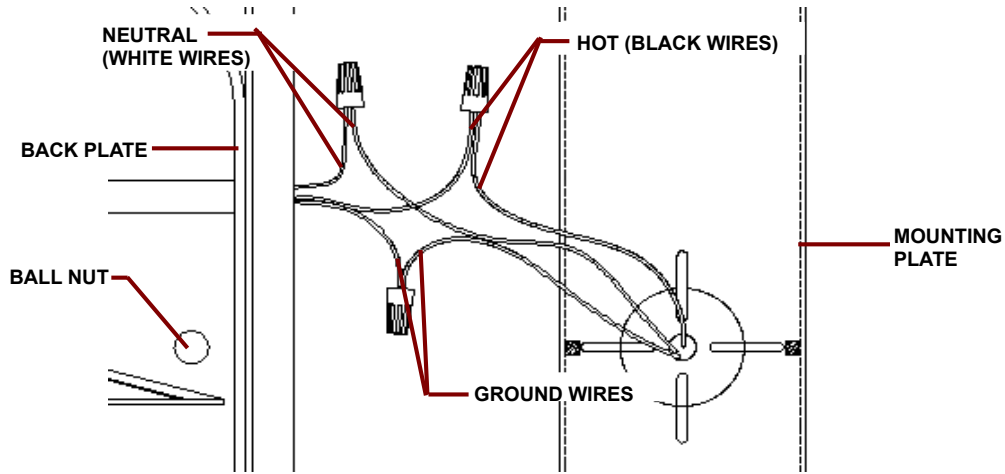
- Step 1.** Attach mounting plate to outlet box with the (2) 8-32 x 3/4" screws.
Use the screw provided to mount in the wall.



KALCO

Customer Service: (702) 361-4345, (800) 525-2655,
customer.service@kalco.com

Assembly & Installation Instructions for:
404522 4LT LARGE WALL BRACKET LAKEWOOD

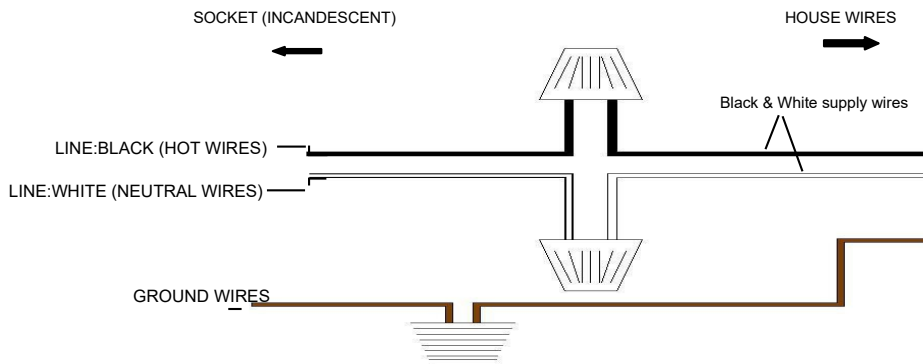


Step 2. Refer to wiring diagram.

With wire carefully threaded thru back plate, connect the black supply wire to the black fixture wire with wire connector, connect the white supply wire to the white fixture wire with wire connector. Connect bare ground wire from the outlet box (if supplied) with connectors.

Step 3. Carefully tuck all wires into outlet box ensuring that there are no wires pinched between the back plate and wall.

Step 4. Lock in place using ball nut screws provided.





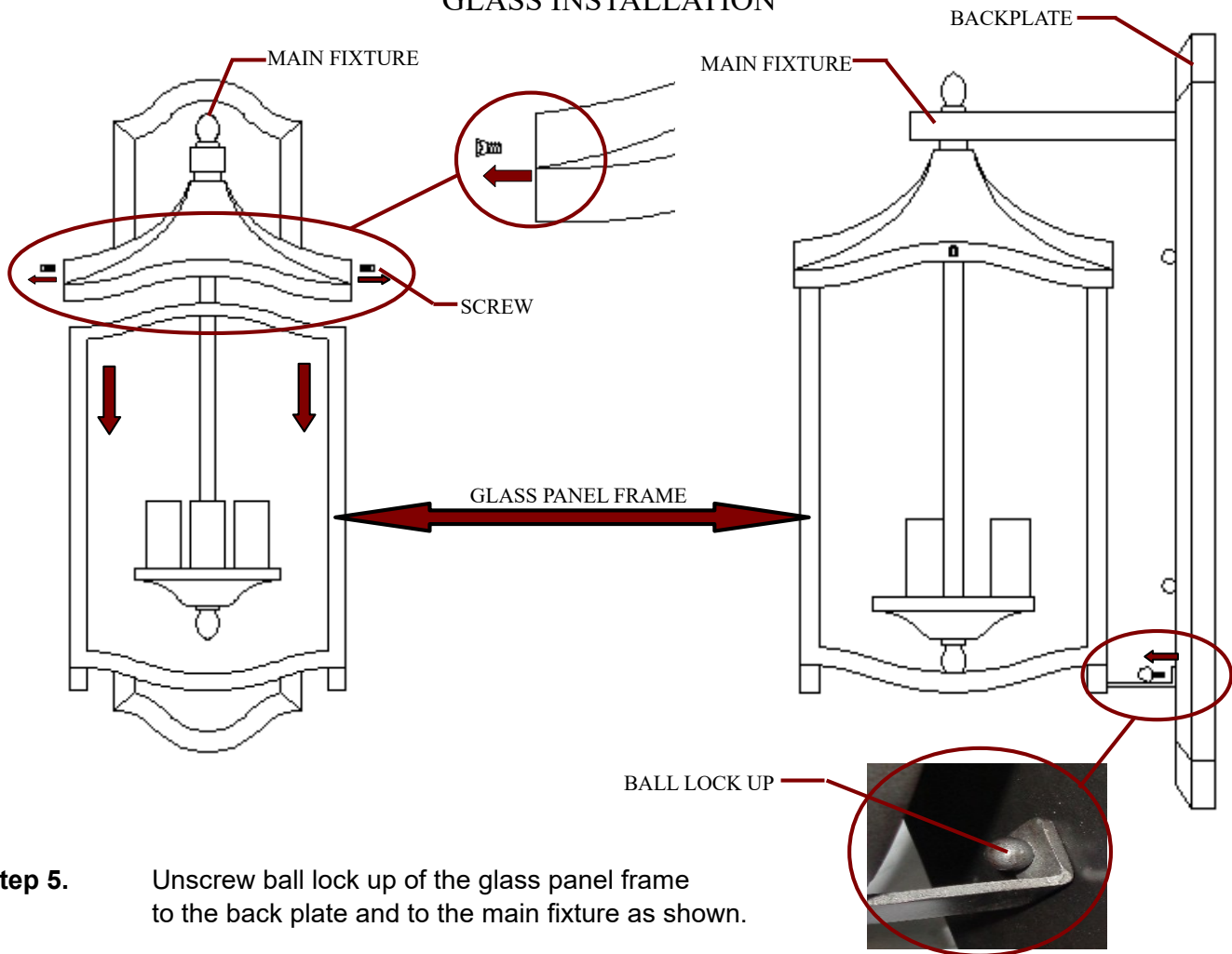
KALCO

Customer Service: (702) 361-4345, (800) 525-2655,
customer.service@kalco.com

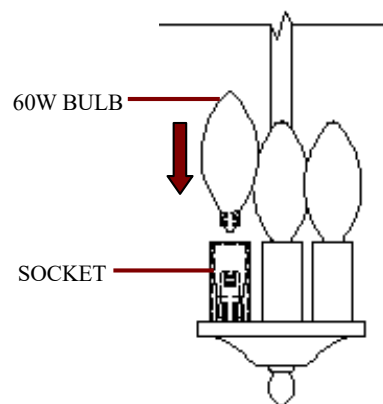
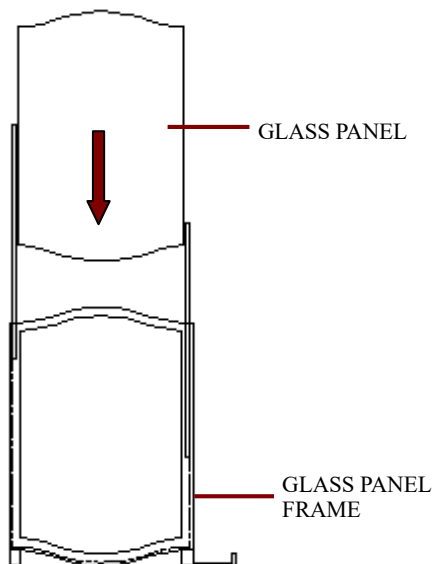
Assembly & Installation Instructions for:
404522 4LT LARGE WALL BRACKET LAKEWOOD



GLASS INSTALLATION



Step 5. Unscrew ball lock up of the glass panel frame to the back plate and to the main fixture as shown.



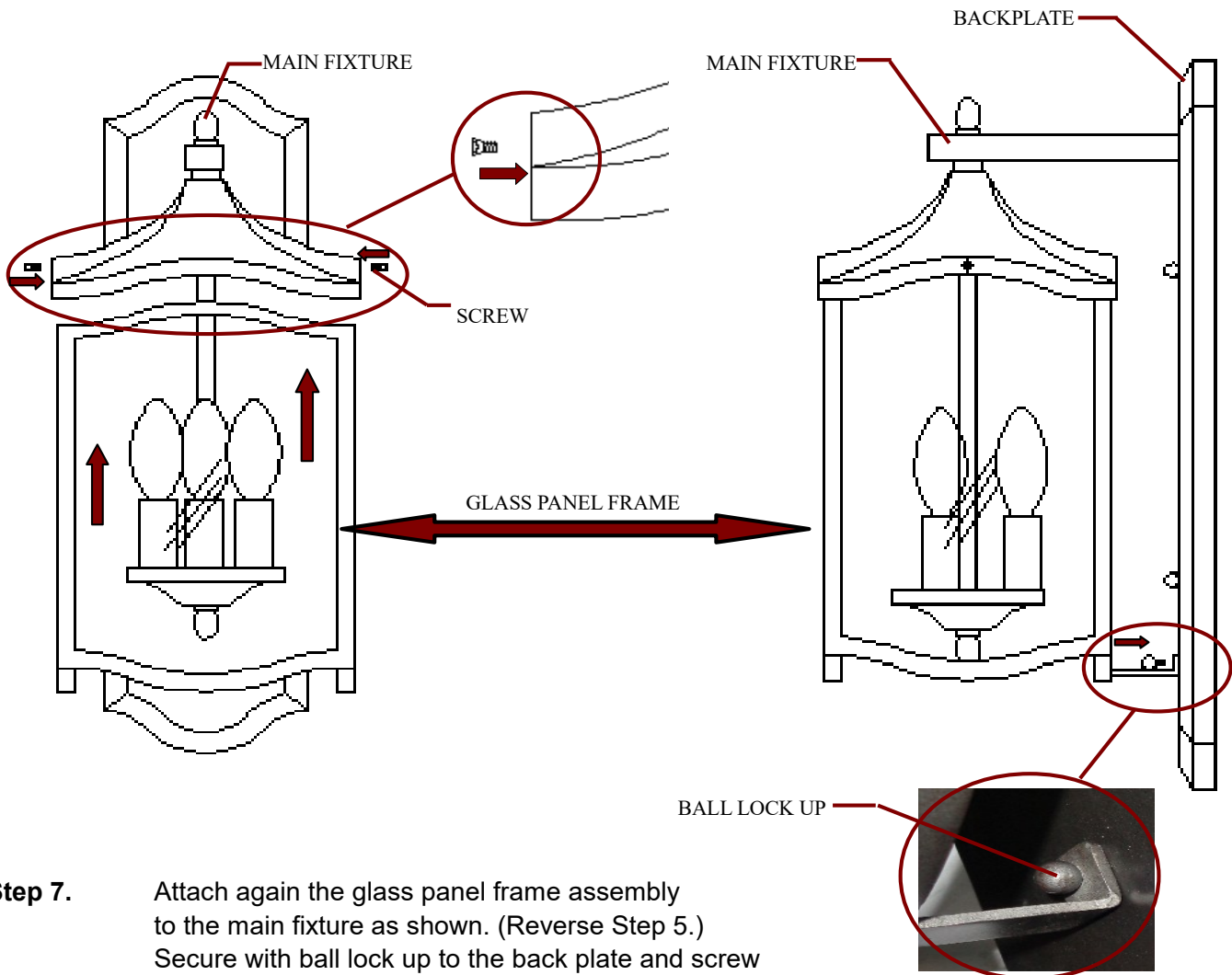
Step 6. Drop the glass panel to the glass panel frame and at the same time install bulb, do not use bulbs that exceed 60 Watts.



KALCO

Customer Service: (702) 361-4345, (800) 525-2655,
customer.service@kalco.com

Assembly & Installation Instructions for:
404522 4LT LARGE WALL BRACKET LAKEWOOD



Step 7. Attach again the glass panel frame assembly to the main fixture as shown. (Reverse Step 5.) Secure with ball lock up to the back plate and screw to the main fixture as shown.