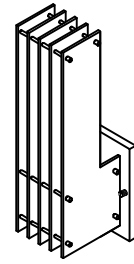




KALCO
Handcrafted Since 1980™
www.kalco.com

Assembly & Installation Instructions for:

ITEM NO.: 404921MB



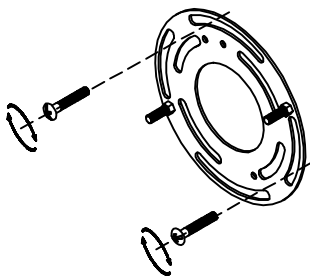
Customer Service : (800)525-2655, customercare@kalco.com

WARNING - TO REDUCE THE RISK OF FIRE OR INJURY:

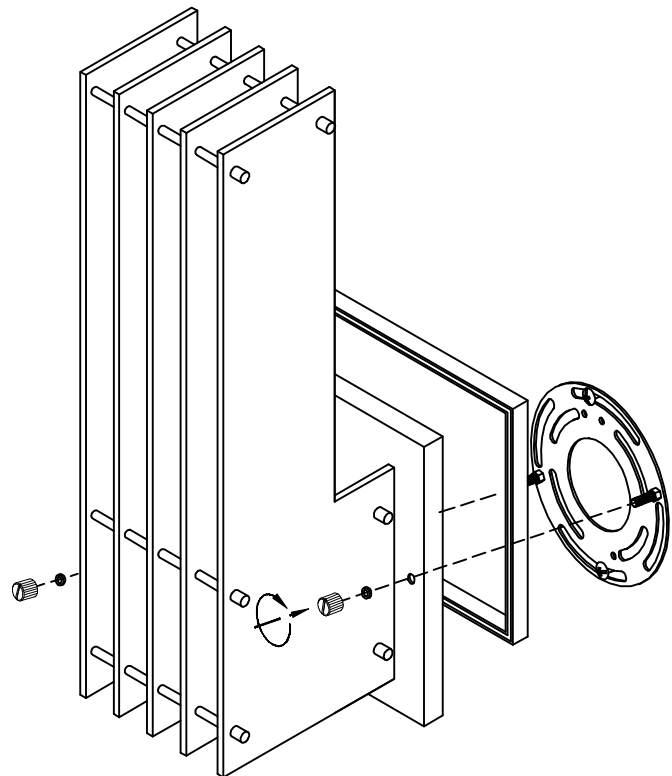
- 1.If you are unfamiliar with electrical wiring, call a qualified electrician to install this unit. More than one person may be necessary to install fixture, make sure you have enough qualified help.
- 2.Turn off the power to the fixture's circuit at the service panel. Use a voltage detector to verify that the power is off.
3. **DO NOT** install bulb which exceeds the maximum wattage specified on the socket label.

Fixture Assembly

- 1** Step 1. Attach the crossbar to junction box using 2 M4 screws.



- 3** Step 3. Attach the fixture body over the crossbar and secure it with 2 supplied knobs tightly against the wall.



- 2** Step 2. Connect the wires from fixture to wires from junction box with wire connectors.

* Make sure the gasket is attached to the back of wall canopy.

