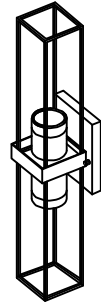




KALCO
Handcrafted Since 1980™
www.kalco.com

Assembly & Installation Instructions for:

ITEM NO.: 405022MB



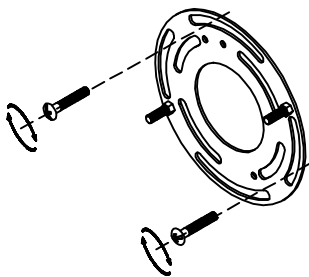
Customer Service : (800)525-2655, customer care@kalco.com

WARNING - TO REDUCE THE RISK OF FIRE OR INJURY:

- 1.If you are unfamiliar with electrical wiring, call a qualified electrician to install this unit. More than one person may be necessary to install fixture, make sure you have enough qualified help.**
- 2.Turn off the power to the fixture's circuit at the service panel. Use a voltage detector to verify that the power is off.**
- 3. DO NOT install bulb which exceeds the maximum wattage specified on the socket label.**

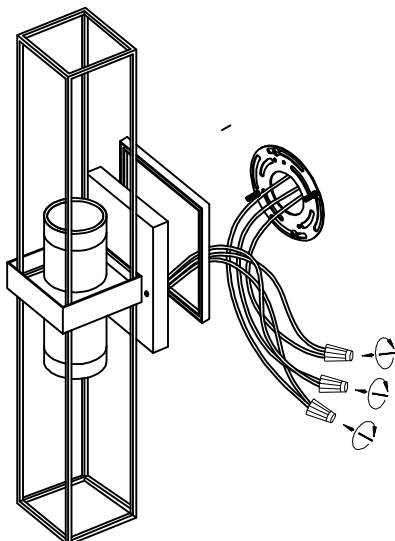
Fixture Assembly

- 1** Step 1. Attach the crossbar to junction box using 2 M4 screws.



- 2** Step 2. Connect the wires from fixture to wires from junction box with wire connectors.

*** Make sure the gasket is attached to the back of wall canopy.**



- 3** Step 3. Attach the fixture body over the crossbar and secure it with 2 supplied knobs tightly against the wall.

