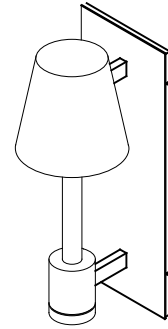




KALCO
Handcrafted Since 1980[®]
www.kalco.com

Assembly & Installation Instructions for :
Item No. : 405322MBW



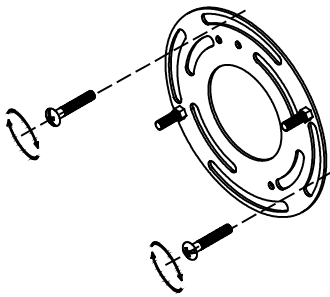
Customer Service : (800) 525-2655, customercare@kalco.com

WARNING - TO REDUCE THE RISK OF FIRE OR INJURY:

1. If you are unfamiliar with electrical wiring, call a qualified electrician to install this unit. More than one person may be necessary to install the fixture, make sure you have enough qualified help.
2. Turn off the power to the fixture's circuit at the service panel. Use a voltage detector to verify that the power is off.

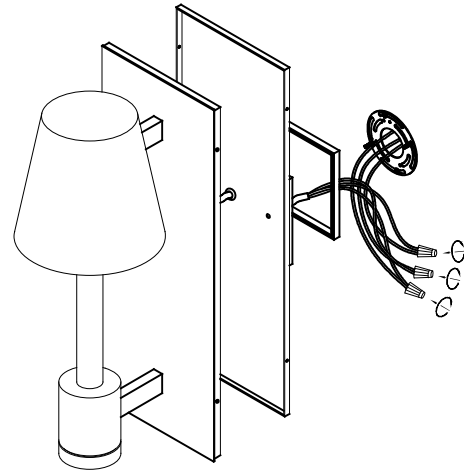
Fixture Assembly

- 1** Step 1. Attach the crossbar to junction box using 2 supplied M4 screws.

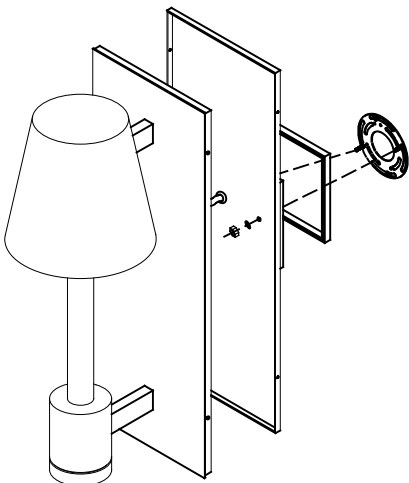


- 2** Step 2. Connect the wires from fixture to wires from junction box with wire connectors.

* Make sure the gasket is attached to the back plate.



- 3** Step 3. Attach the back plate over the crossbar and secure it with 2 nuts.



- 4** Step 4. Place the fixture over the back plate and secure it with 4 supplier screws.

