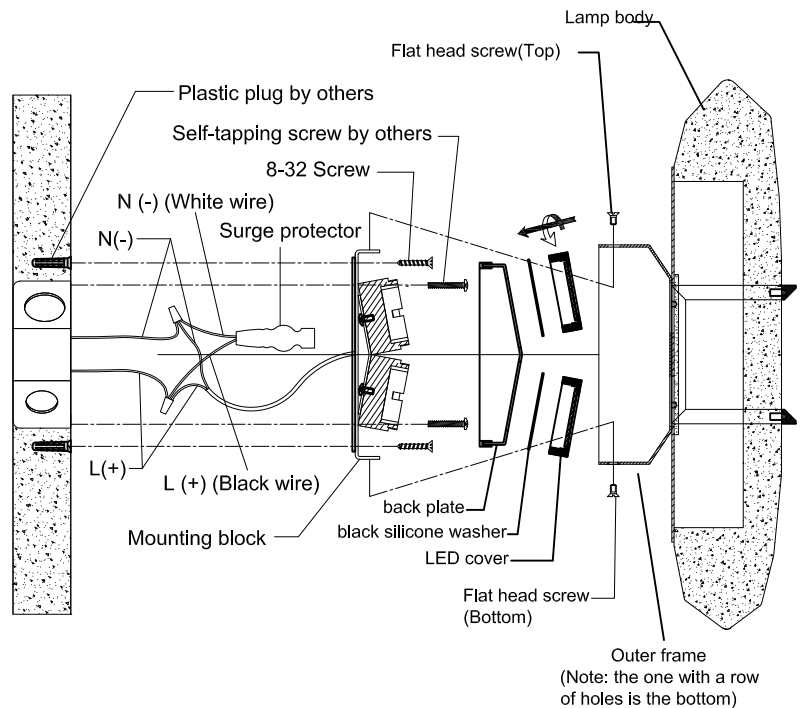
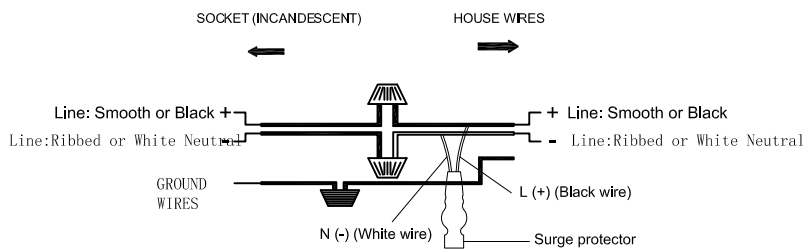


FIXTURE ASSEMBLY (FIG. 2):

1. Unpack fixture carefully, note fixture frame comes fully assembled and two sets of hands are needed for installation.
2. Unscrew LED cover, remove the black silicone washer and back plate.
3. Bring fixture close enough to outlet box to allow for wire connections to be done.
4. Carefully tuck in all wires.
5. Use 8-32 screw, plastic plug, self-tapping screw to fix Mounting block to J-box and Wall.
6. Use LED cover to fix the black silicone washer and back plate to the Mounting block.
7. Fix part Lamp body to part mounting block by using part flat head screw, be sure to lock the screws on the top first. Lock the bottom screw again.
8. Clean fixture with a damp microfiber or cotton cloth, avoid using any cleaners that contains chemicals or abrasives that would damage fixture finish.



Wiring Diagram



(FIG. 1)

WARNING:

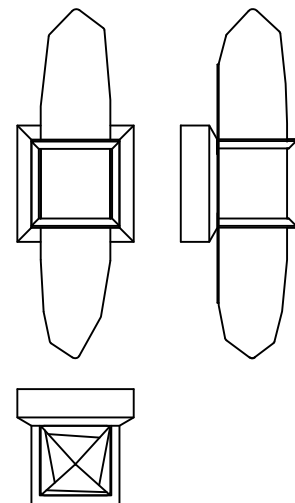
1. If you are unfamiliar with electrical wiring, call a qualified electrician to install this unit. More than one person may be necessary to install this fixture, make sure you have enough qualified help.
2. Turn off the power to the fixture's circuit at the service panel. Use a voltage detector to verify that the power is off.
3. This product must be installed in accordance with the applicable installation code by a person familiar with the construction and operation of the product and the hazards involved.

CRYSTAL ASSEMBLY (FIG. 3):

1. Wear cotton gloves to handle crystals to avoid leaving finger marks. Carefully unwrap crystal strands and clean with a damp soft cloth.

NOTE:

In order to prevent water in, when install grub screw up & down, must lock the top screw tightly, press the frame tightly to the water-proof washer, and then lock the bottom grub screw.



(FRONT VIEW)

(FIG. 3)



ALLEGRI.

BY KALCO LIGHTING™

ASSEMBLY INSTRUCTIONS

409521OBZ

15 IN Outdoor Wall Sconce

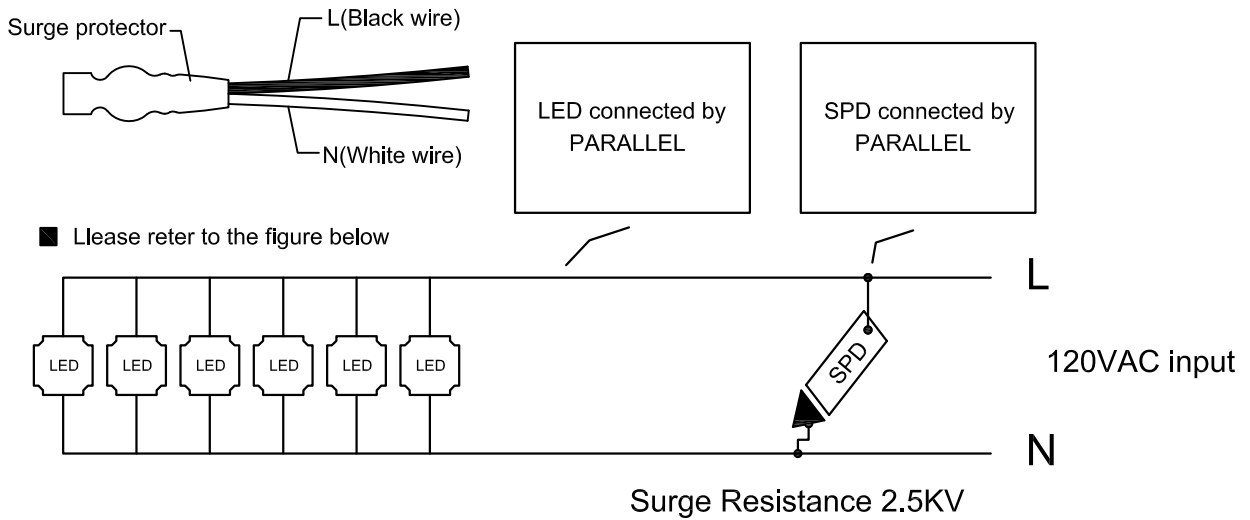
If you have any questions or problems assembling your fixture please call us for assistance. Customer Service:(702)361-4345 or (800)525-2655, customer.services@kalco.com

WARNING:

- 1.If you are unfamiliar with electrical wiring, call a qualified electrician to install this unit. More than one person may be necessary to install fixture, make sure you have enough qualified help.
- 2.Turn off the power to the fixture's circuit at the service panel. Use a voltage detector to verify that the power is off.
- 3.DO NOT install bulb which exceeds the maximum wattage specified on the socket label.
- 4.This product must be installed in accordance with the applicable installation code by a person familiar with the construction and operation of the product and the hazards involved.

Note:It is recommended that each surge protector be connected to a maximum of 6 LED boards!

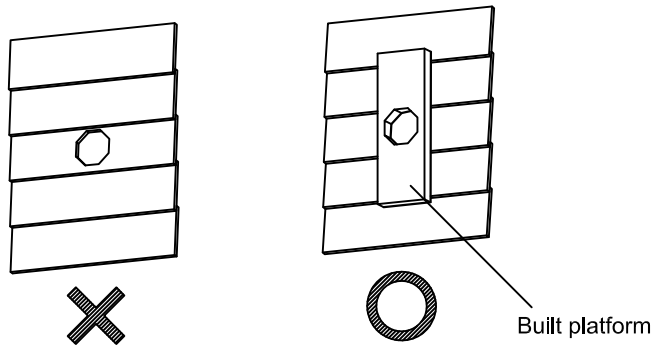
SPD Installation



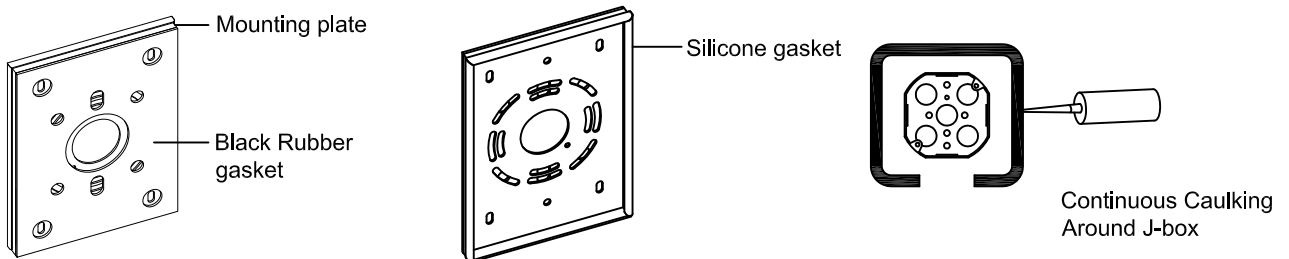
WARNING:

To reduce risk of water entry into the fixture and prevent damages, please mount on a flat surface and apply caulking as indicated in the illustration below. Please refer to NEC and local codes for additional instruction, If unsure about installation, please consult a qualified electrician. Use high quality caulking such as silicone.

- 1** Wall must be flat and smooth by contractor.



- 2** Continuous bead of Caulking Must be applied Around J-Box by Contractor.



- 3** Continuous caulking must be applied between wall and fixture frame by contractor.

