



# ASSEMBLY & INSTALLATION INSTRUCTIONS

MODEL: 409921BZ  
LED OUTDOOR WALL SCNCE

## I M A G E



If you have any questions or problems assembling your fixture please call us for assistance.

Customer Service: (702) 361-4345 or (800) 525-2655

[customer.services@kalco.com](mailto:customer.services@kalco.com)

**WARNING!** TO REDUCE THE RISK OF FIRE OR INJURY PLEASE TAKE PRECAUTION AND FOLLOW THE STEPS BELOW.

1. This product must be installed in accordance with the applicable installation code by a person familiar with the construction and operation of the product and the hazards involved.
2. Turn off the power to the fixture's circuit at the service panel. Use a voltage detector to verify that the power is off.

Si vous avez des questions ou des problèmes assemblage de votre dispositif s'il vous plait appel pour l'assistance.

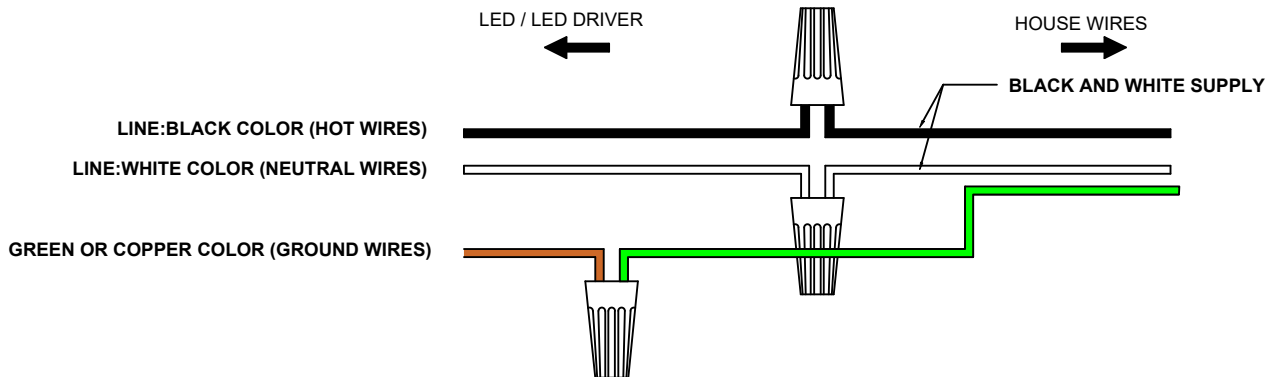
Customer Service: (702) 361-4345 or (800) 525-2655

[customer.services@kalco.com](mailto:customer.services@kalco.com)

**AVERTISSEMENT!** POUR RÉDUIRE LES RISQUES D'INCENDIE OU DE BLESSURES S'IL VOUS PLAÎT PRENDRE DES PRÉCAUTIONS ET SUIVEZ LES ÉTAPES CI-DESSOUS.

1. Ce produit doit être installé conformément au code d'installation applicable par une personne connaissant la construction et le fonctionnement du produit ainsi que les dangers encourus.
2. Coupez l'alimentation au circuit de l'appareil sur le tableau de service. Utiliser un détecteur de tension pour vérifier que l'alimentation est coupée

## WIRING DIAGRAM



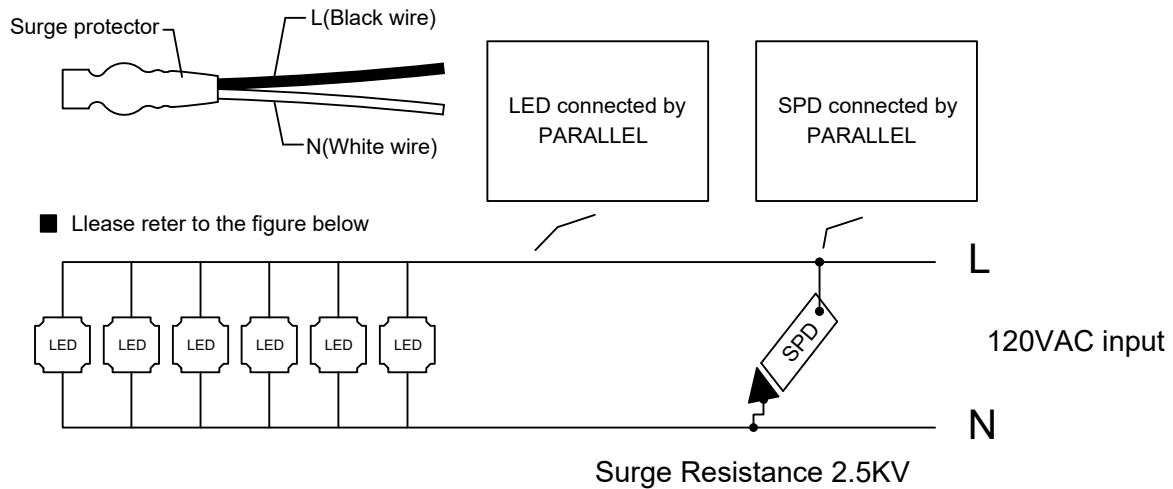
# ASSEMBLY & INSTALLATION INSTRUCTIONS

**MODEL: 409921BZ**  
**LED OUTDOOR WALL SCNCE**

## WIRING DIAGRAM

Note: It is recommended that each surge protector be connected to a maximum of 6 LED boards!

### SPD Installation





# ASSEMBLY & INSTALLATION INSTRUCTIONS

MODEL: 409921BZ  
LED OUTDOOR WALL SCNCE

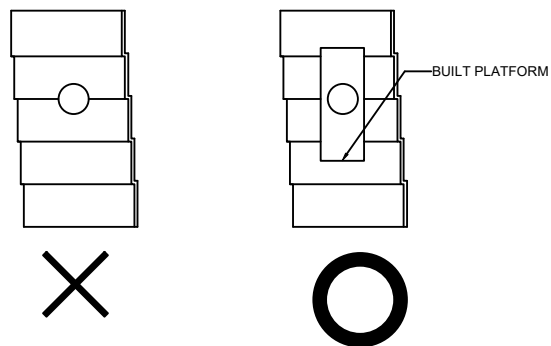
## WALL CONDITION AND CAULKING INSTRUCTION

### WARNING:

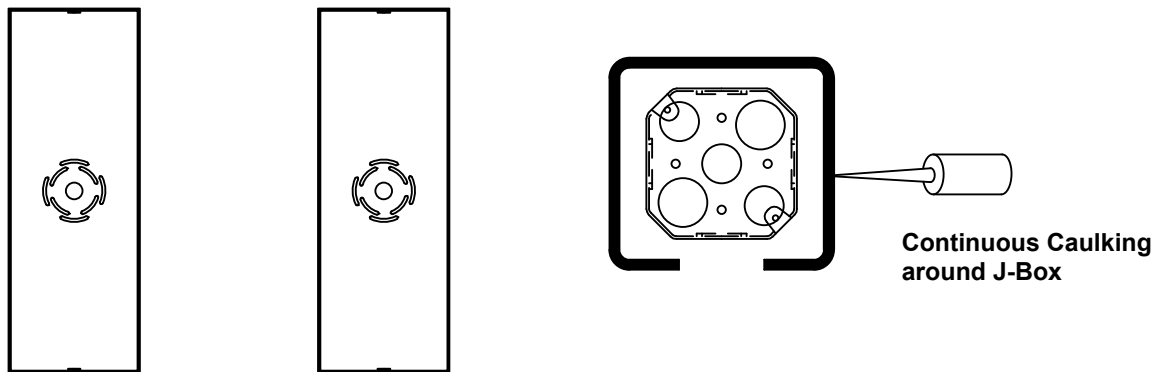
To reduce risk of water entry into the fixture and prevent damages, please mounting on a flat surface and apply caulking as indicated in the illustration below.

Please refer to NEC and Local codes for additional instruction, If unsure about installation, please consult a qualified electrician. Use high quality caulking such as silicone.

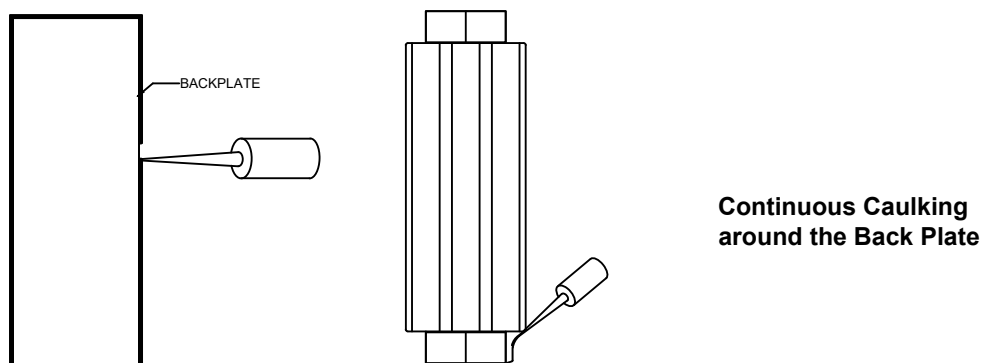
**STEP 1:** Carefully attached the metal shade. and secure using the screw



**STEP 2:** Continuous bead of Caulking must be applied around J-Box by Contractor.



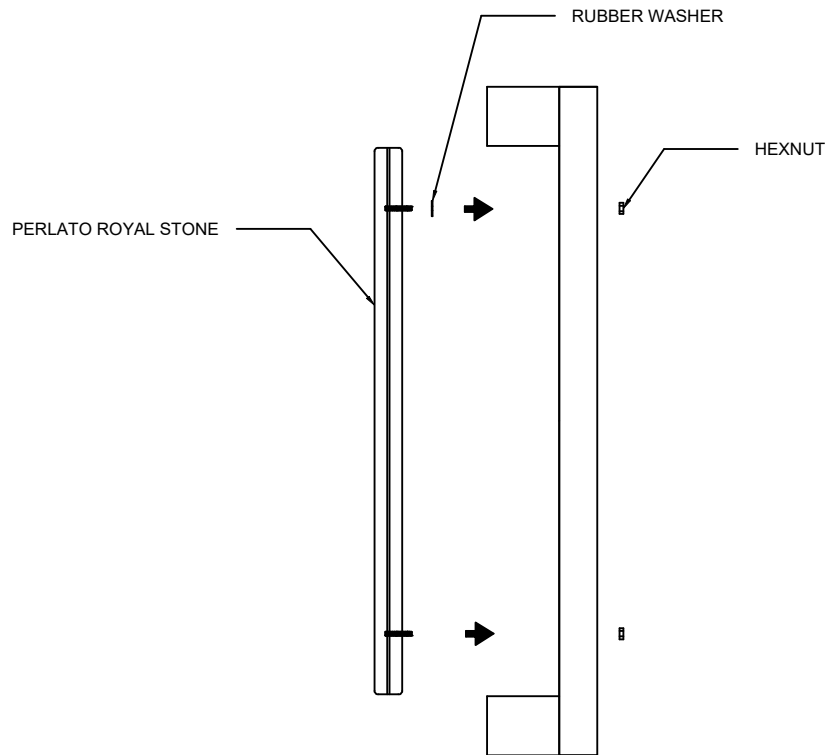
**STEP 3:** Continuous caulking must be applied between wall and fixture frame by contractor.



# ASSEMBLY & INSTALLATION INSTRUCTIONS

MODEL: 409921BZ  
LED OUTDOOR WALL SCONCE

## KNOCK DOWN ASSEMBLY INSTRUCTION



**STEP 1:** Carefully attached the Perlato Royal Stone to the backplate. Secure the stone using the four (4) pieces of hexnut provided.

### FOR LIGHTING MAINTENANCE:

- Regular cleaning of fixture with proper and gentle care using a soft duster, soft lint-free or damp cloth is recommended.
- Refrain from using harsh cleaning liquids that may cause chemical reaction on the hand painted finishes.
- Always refer to the Assembly Instruction before removing any components.
- **HANDLE WITH CARE.**

# ASSEMBLY & INSTALLATION INSTRUCTIONS

**MODEL: 409921BZ**  
**LED OUTDOOR WALL SCONCE**

## ELECTRICAL / MOUNTING INSTALLATION

**STEP 2:** Attach mounting plate to outlet box with the (2) 8-32 x 3/4" screws (provided by other). Making sure to vertically install according to the sticker labeling "THIS END UP".

**STEP 3:** Attached the safety cable to cable holder and secure using cable clamp.

**STEP 4:** Connect bare ground wire from the outlet box (if supplied) with connectors.

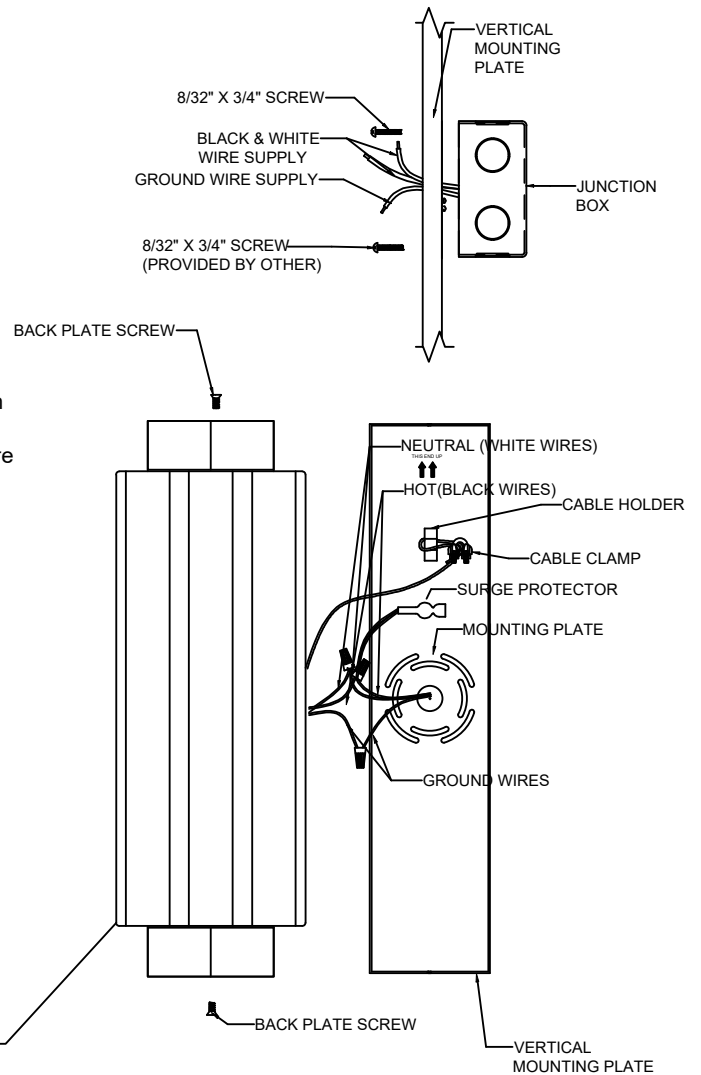
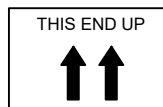
**STEP 5:** Refer to wiring diagram. With wire carefully threaded through back plate, connect the black supply wire to the black fixture wire with wire connector, connect the white supply wire to the white fixture wire with wire connector.

**STEP 6:** Carefully tuck all wires into outlet box ensuring that there are no wires pinched between the back plate and wall.

**STEP 7:** Lock in place using screws provided.

**NOTED:** Add sealant (provided by others) in between the backplate and wall to have a additional security against water leak.

**NOTE:** THIS FIXTURE NEED TO BE MOUNTED VERTICALLY WHERE THE FIXTURE LABEL SAYS "THIS END UP".






### FOR LIGHTING MAINTENANCE:

- Regular cleaning of fixture with proper and gentle care using a soft duster, soft lint-free or damp cloth is recommended.
- Refrain from using harsh cleaning liquids that may cause chemical reaction on the hand painted finishes.
- Always refer to the Assembly Instruction before removing any components.
- HANDLE WITH CARE.

# ASSEMBLY & INSTALLATION INSTRUCTIONS

**MODEL: 409921BZ**  
**LED OUTDOOR WALL SCONCE**

## PARTS LIST

	<p>Mounting Plate</p>	<p>1 PC</p>
	<p>Surge Protector</p>	<p>1 PC</p>
	<p>Perlatto Royal Stone</p>	<p>1 PC</p>