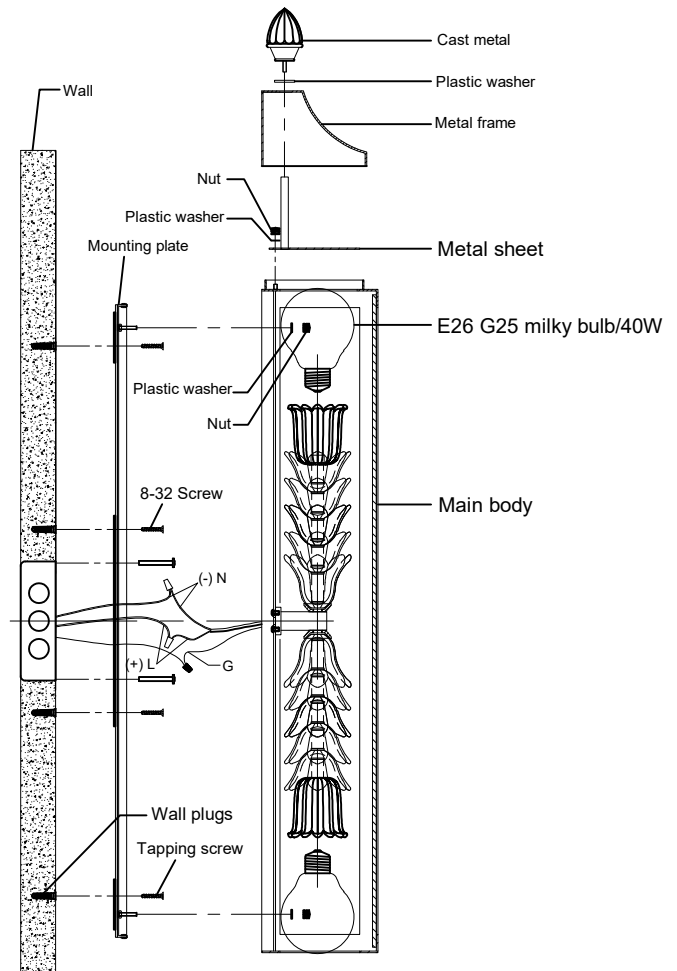
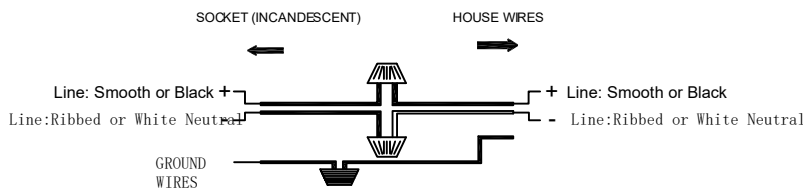


FIXTURE ASSEMBLY (FIG. 2):

1. **Unpack fixture carefully, note fixture frame comes fully assembled and two sets of hands are needed for installation.**
2. Using self-tapping screw & 8-32 screw to fix black waterproof washer & crossbar onto the wall.
3. **Bring fixture close enough to outlet box to allow for wire connections to be done.**
4. Carefully tuck in all wires.
5. Fix part plastic washer, main body to part mounting plate by using part Nut.
6. Screw bulb into lampholder.
7. Fix part plastic washer, metal sheet to part main body by using part Nut.
8. Fix part plastic washer, metal frame to part metal sheet by using part cast metal.
9. **Clean fixture with a damp micro fiber or cotton cloth, avoid using any cleaners that contains chemicals or abrasives that would damage fixture finish.**



Wiring Diagram



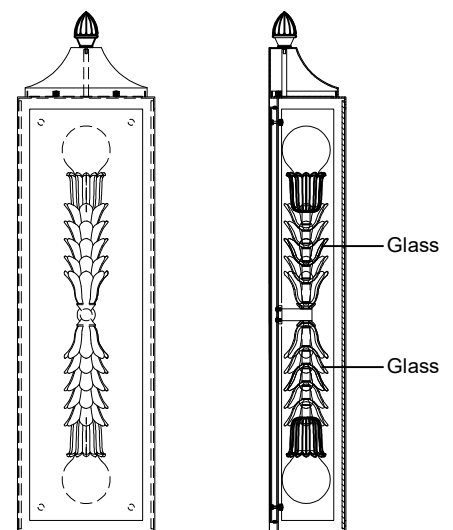
(FIG. 1)

WARNING:

1. **If you are unfamiliar with electrical wiring, call a qualified electrician to install this unit. More than one person may be necessary to install this fixture, make sure you have enough qualified help.**
2. **Turn off the power to the fixture's circuit at the service panel. Use a voltage detector to verify that the power is off.**

GLASS ASSEMBLY (FIG. 3):

1. **Wear cotton gloves to handle glass to avoid leaving finger marks. Carefully unwrap glass strands and clean with a damp soft cloth.**



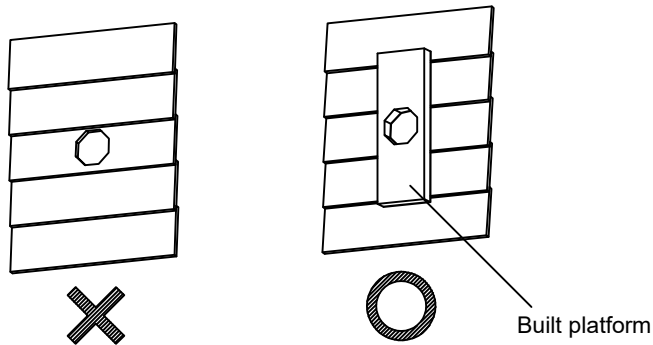
(FRONT VIEW)

(FIG. 3)

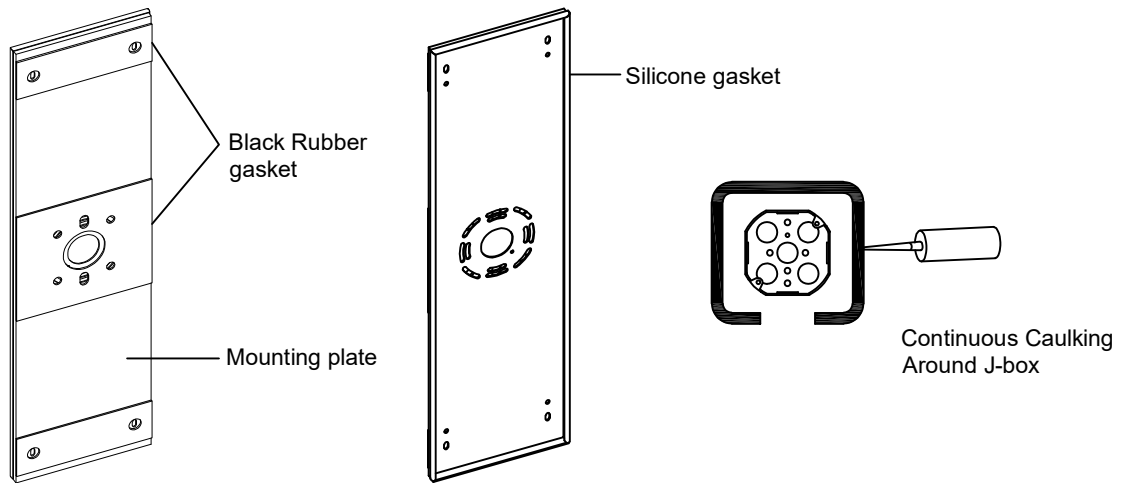
WARNING:

To reduce risk of water entry into the fixture and prevent damages, please mount on a flat surface and apply caulking as indicated in the illustration below. Please refer to NEC and local codes for additional instruction, If unsure about installation, please consult a qualified electrician. Use high quality caulking such as silicone.

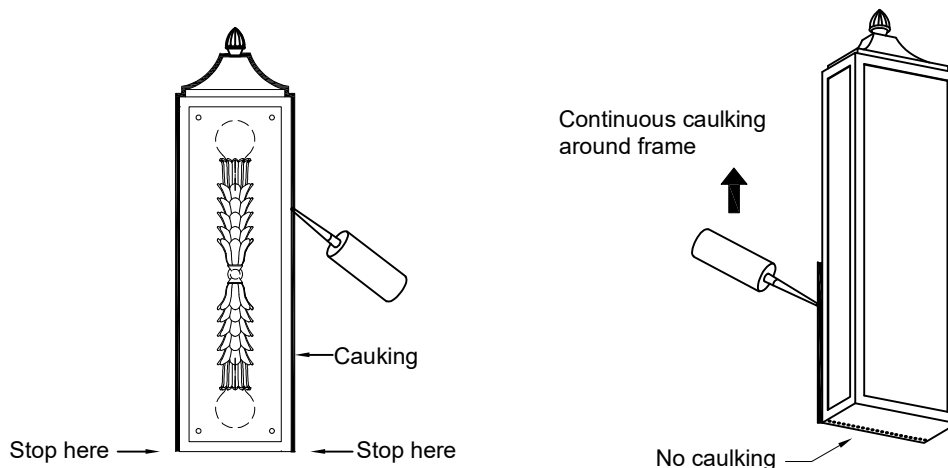
- 1** Wall must be flat and smooth by contractor.



- 2** Continuous bead of Caulking Must be applied Around J-Box by Contractor.



- 3** Continuous caulking must be applied between wall and fixture frame by contractor.



ESTERNO X CRISTALLO
ALLEGRI.
BY KALCO LIGHTING™

Every ALLEGRI® fixture is of heirloom quality and will last for generations. To ensure it retains its brilliance and splendor for years to come, proper care and regular cleaning are necessary. It is recommended that ALLEGRI® fixture, and particularly their crystal trim, be lightly dusted with a feather or lambs wool duster, or soft brush every two months, or whenever it appears dull or dusty. A thorough cleaning should be completed every six months.

Before cleaning an ALLEGRI® fixture, first locate the fixture's trim diagram. This will assist in replacing the crystal trim in its proper location after cleaning. Should a replacement trim diagram be required, please call 800-525-2655 to speak with an ALLEGRI® customer service representative, who can provide a new diagram.

ALLEGRI® recommends several different cleaning methods, depending on the type of fixture. Some fixtures can be cleaned with limited removal of crystal, while others must be completely untrimmed.

Place a soft towel or blanket directly beneath the fixture to limit the damage to both the crystal and the surface below the fixture, should a piece of crystal be dislodged during the cleaning process. Extreme care must be taken around any electrical fixture. For personal safety and the safety of the fixture, be sure that the fixture has been turned off. Never rotate or spin the fixture as this can cause the fixture to lose support and fall. Instead, move around the fixture while cleaning.

White Glove Method

Prepare a cleaning solution of one part isopropyl alcohol to three parts distilled water and place in a clean spray bottle. Do not use packaged cleaning fluids, as many of these contain ammonia, which may degrade the finish of the fixture and the quality of the crystal.

Wearing white cotton gloves, spray one glove with the solution and keep one dry. Gently polish each crystal with the damp glove and immediately wipe it with the dry glove. Do not tug or pull on the crystal, as this may cause the connectors to chip or crack the crystal, or dislodge it from the fixture.

Warning:

To reduce the risk of personal injury due to fire and/or electric shock, never spray solution at or near the fixture.

Crystal Removal Method

Gently remove **crystal** and hand-wash the crystal in lukewarm water using a mild detergent. Rinse in clean water and dry with a soft clean cloth. With the fixture untrimmed and turned off, wipe the frame, including the light bulbs once they **are completely cool, with a soft cloth. Wearing white gloves, finger-cots or using a soft clean cloth, gently replace the crystal.**