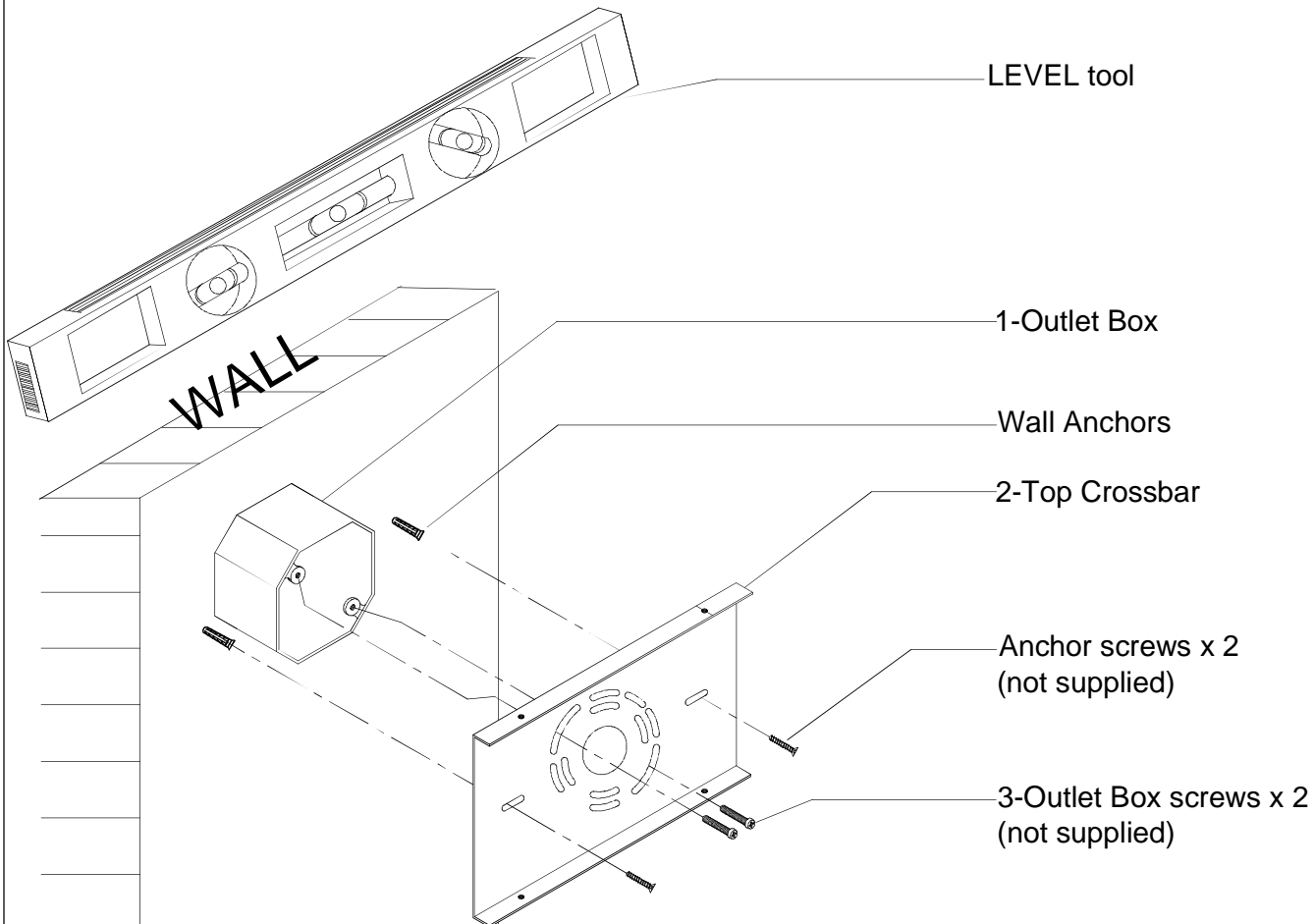


Customer Service: (702) 361-4345, (800) 525-2655, customer.service@kalco.com

WARNING - TO REDUCE THE RISK OF FIRE OR INJURY:

- 1.If you are unfamiliar with electrical wiring, call a qualified electrician to install this unit. More than one person may be necessary to install fixture, make sure you have enough qualified help.
- 2.Turn off the power to the fixture's circuit at the service panel. Use a voltage detector to verify that the power is off.
- 3.DO NOT install bulb which exceeds the maximum wattage specified on the socket label.

INSTALL TOP CROSS BAR:



INSTRUCTIONS:

Step1-Carefully Unpack fixture and lay down parts on a clean soft working cloth for identification. Fabric shade is off white color and can get dirty too easy. Use clean inspection gloves or wash hands before installation.

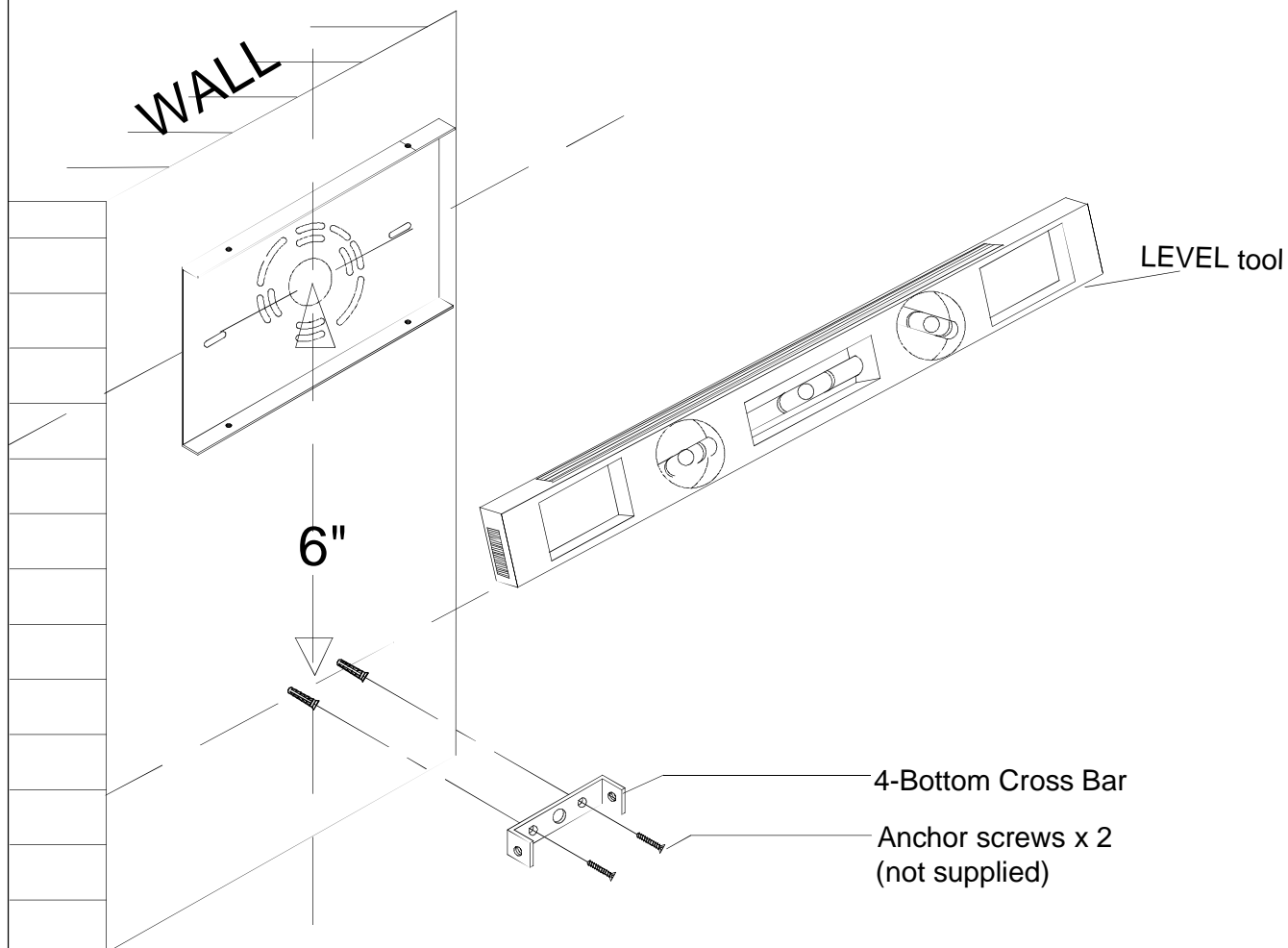
Step2-Temporarily place Top Cross Bar2 on outlet box1 with original outlet box screws. Use level tool to make sure the bracket is straight, mark the two Anchor screw holes of cross bar to wall and remove crossbar. Install the two wall anchors on the marks and install Top Cross Bar2
Use level tool to make sure cross bar2 is perfectly straight and tighten screws.

continue on page 2.

At Home In Any Environment

Customer Service: (702) 361-4345, (800) 525-2655, customer.service@kalco.com

INSTALL BOTTOM CROSS BAR:



Step3-From center of Top Cross Bar2 measure 6" towards the floor, mark a point, use level tool to make sure the point is centered with top cross bar2.
(The point becomes the center for bottom cross bar 4).

Step4-From point marked at 6" use level tool and draw a horizontal line to either side at 1.75" length (total of 3.5"), then place cross bar against wall and align point right on center of middle cross bar hole, align line on the two cross bar slots for Anchor screws.

Mark the two cross bar anchor holes on wall, remove cross bar and install anchors to wall then install bottom cross bar4, use level tool to make sure it is perfectly straight and tighten screws.

Continue on page 3.

At Home In Any Environment

Customer Service: (702) 361-4345, (800) 525-2655, customer.service@kalco.com

WIRING:

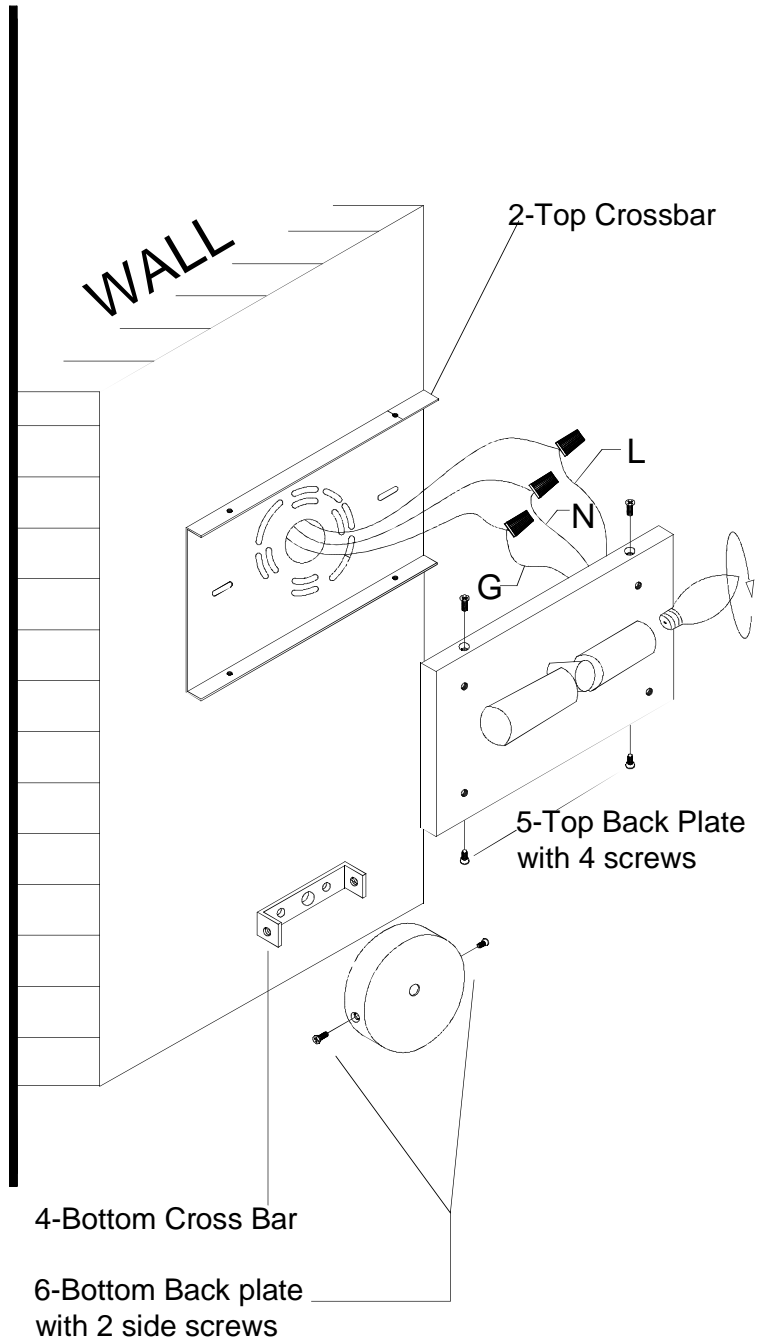
Step5-Get the Top Back Plate5 few inches close to wall and make wire connections: Connect two fixture black wires (L) to power supply black wire, connect fixture two white wires (N) to power supply white wire, Connect fixture bare copper or silver wire (G) to fixture green/ground wire.

Step6-Secure wire connections with plastic wire nuts and electrician black tape or as required by your local electric code.

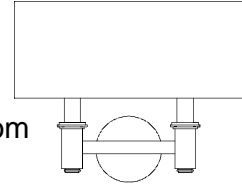
Step7-Carefully tuck excess of wires inside outlet box and Install Top Back Plate5 to Top Cross Bar2 with the four screws located on back plate.

Step8-Install Bottom Back Plate6 to Bottom Cross Bar4 with the two screws located on back plate6

Step9-Install 40watt maximum candelabra light bulbs.



Customer Service: (702) 361-4345, (800) 525-2655, customer.service@kalco.com



ASSEMBLY:

Step 10-Install Acrylic Diffuser 9 to bottom of Top Back Plate 5. Then install the two Chrome Accents 10 and Crystal Rods 7 to Chrome Cups 11

Step 11-Install Fabric Shade 8 with the four set screws with cap located on front holes of Top Back plate 5.

Turn lights ON.

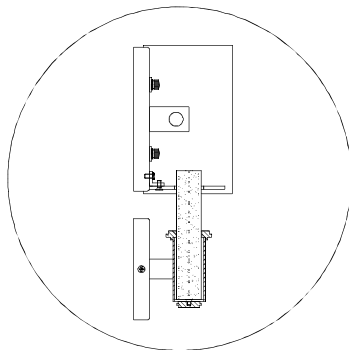


fig1 SIDE VIEW

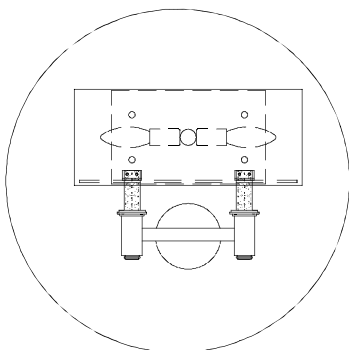


fig2 FRONT VIEW

