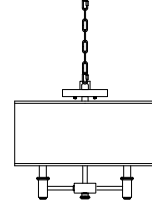




At Home In Any Environment

Assembly & Installation Instructions for:
500570CH Escalier Pendant

Customer Service : (702)361-4345, (800)525-2655, customer.service@kalco.com



WARNING - TO REDUCE THE RISK OF FIRE OR INJURY:

1. If you are unfamiliar with electrical wiring, call a qualified electrician to install this unit. More than one person may be necessary to install fixture, make sure you have enough qualified help.
2. Turn off the power to the fixture's circuit at the service panel. Use a voltage detector to verify that the power is off.
3. DO NOT install bulb which exceeds the maximum wattage specified on the socket label.

Fixture Assembly

Step 1. Fasten 2 8-32 screws to mounting plate so that they extend away from the wall when mounting plate is installed

Step 2. Attach mounting plate to electrical box using 2 8-32 machine screws
At the same time, install safety to ceiling beam

Step 3. Take steel wire through base plate, and fix it by safety lathe. then move them to ceiling, fix them by tread cap. connect main wire with power see Step 10.

Step 4. Fix part #6 to part #8 by using screw.

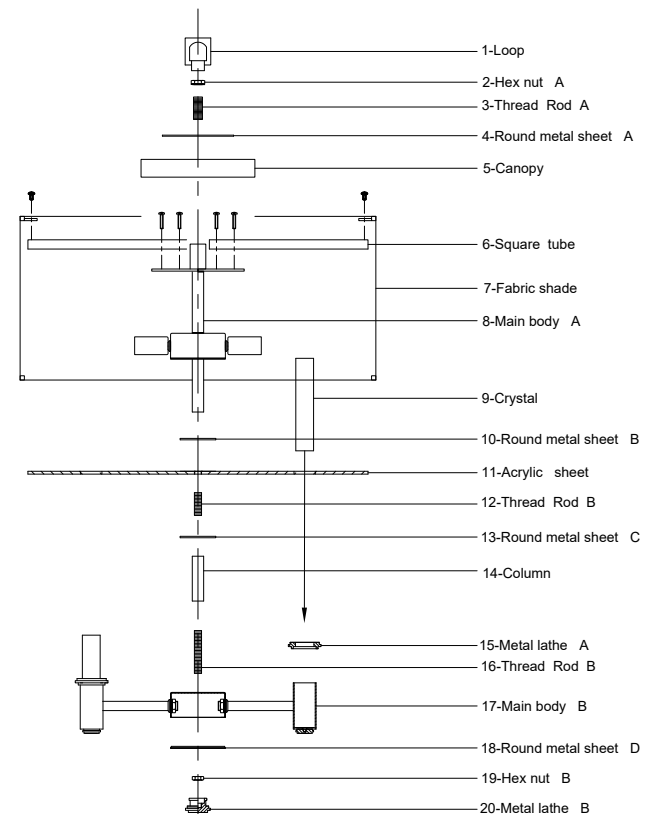
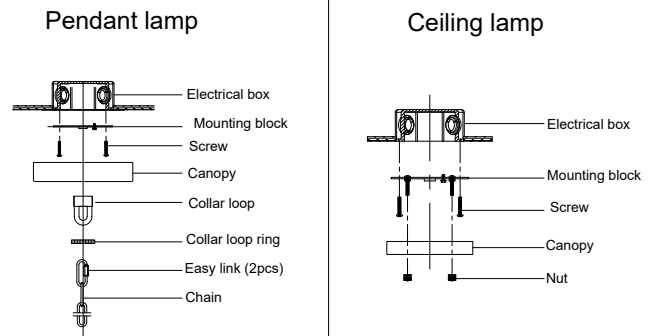
Step 5. Put part #3 through part #2, #4, #5 then screw to part #1, #8.

Step 6. Put part #12 through part #10, #11, #13 then screw to part #8, #14.

Step 7. Put part #16 through part #17, #18, #19 then screw to part #14, #20.

Step 8. Fix part #7 to part #6 by using screw.

Step 9. Put part #9 through part #1, #15, then insert into part #17.





At Home In Any Environment

Assembly & Installation Instructions for:
500570CH Escalier Pendant

Customer Service : (702)361-4345, (800)525-2655, customer.service@kalco.com

Fixture Assembly

Step 10. Refer to wiring diagram.
Splice the ribbed side of fixture cord to the white supply wire from outlet box with wire connector. Splice the smooth side of the fixture cord to black supply wire from outlet box with wire connector

Step 11. Carefully tuck in all wires and raise the canopy to the outlet box . Secure canopy with nuts

Step 12. Install E12 bulbs, do not use bulbs that exceeds 40W

