



If you have any questions or problems assembling your fixture please call us for assistance.
Customer Service: (702) 361-4345 or (800) 525-2655
customer.service@kalco.com

WARNING - TO REDUCE THE RISK OF FIRE OR INJURY PLEASE TAKE PRECAUTION AND FOLLOW THE STEPS BELOW.

1. If you are unfamiliar with electrical wiring, call a qualified electrician to install this unit. More than one person may be necessary to install fixture, make sure you have enough qualified help.
2. Turn off the power to the fixture's circuit at the service panel. Use a voltage detector to verify that the power is off.
3. **DO NOT** install bulb which exceeds the maximum wattage specified on the socket label.

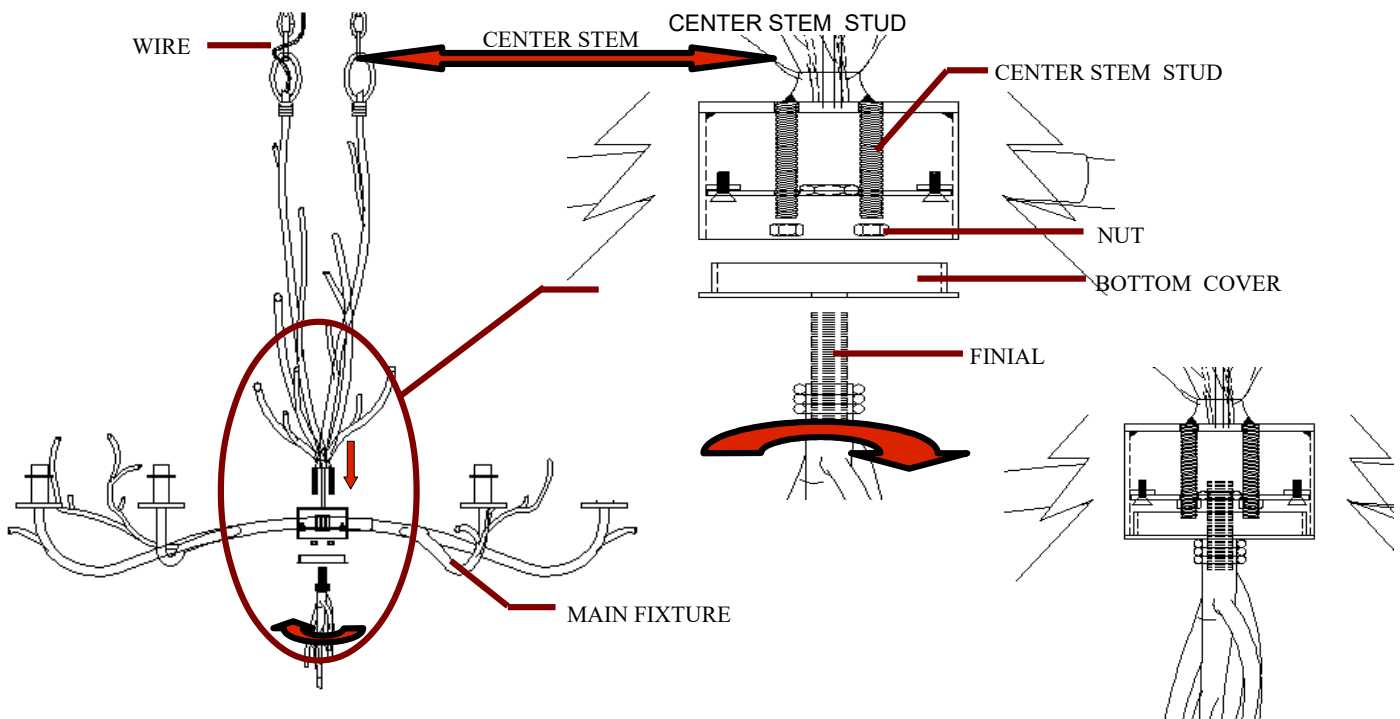
SI VOUS AVEZ DES QUESTIONS OU DES PROBLÈMES ASSEMBLAGE DE VOTRE DISPOSITIF S'IL VOUS PLAÎT APPEL POUR L'ASSISTANCE.

Customer Service: (702) 361-4345 or (800) 525-2655
customer.service@kalco.com

AVERTISSEMENT - POUR RÉDUIRE LES RISQUES D'INCENDIE OU DE BLESSURES S'IL VOUS PLAÎT PRENDRE DES PRÉCAUTIONS ET SUIVEZ LES ÉTAPES CI-DESSOUS.

1. Si vous n'êtes pas familier avec le câblage électrique, appelez un électricien qualifié pour installer cet appareil. Plus d'une personne peut être nécessaire d'installer appareil, assurez vous que vous disposez de l'aide assez qualifié.
2. Coupez l'alimentation au circuit de l'appareil sur le tableau de service. Utiliser un détecteur de tension pour vérifier que l'alimentation est coupée.
3. **NE PAS** installer l'ampoule qui excède la puissance maximale indiquée sur l'étiquette du socket.

Fixture Assembly



- Step 1.** Hold the wire and carefully insert center stem to the main fixture and secure with nut provided as shown.
Insert the bottom cover and finial to the main fixture as shown.

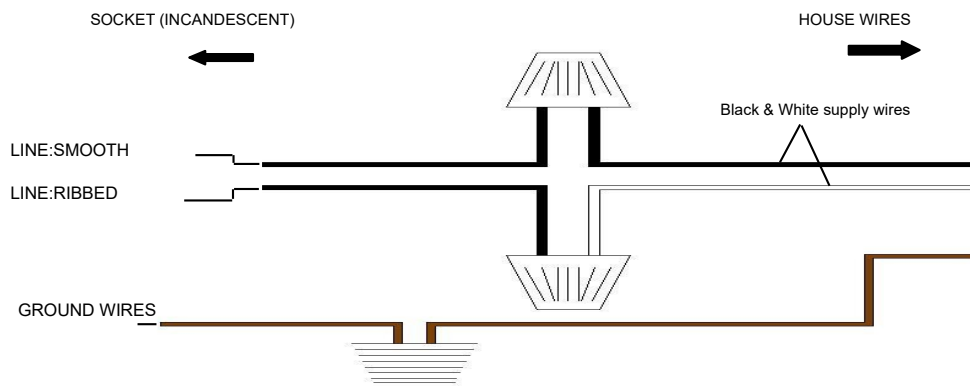
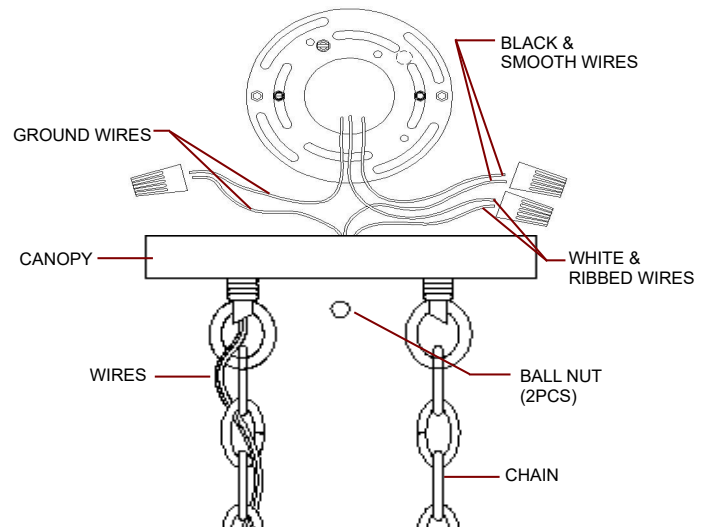
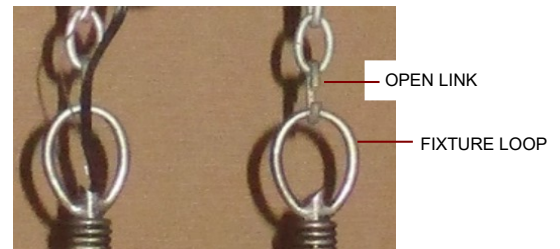
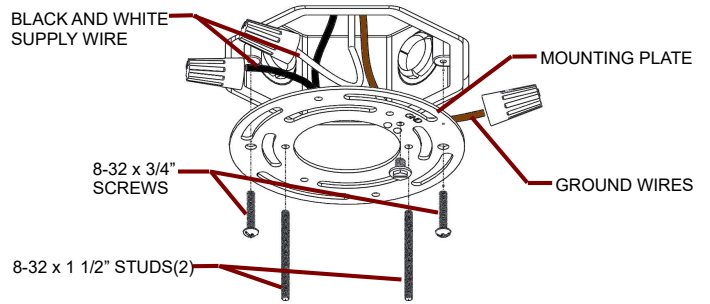


Assembly & Installation Instructions for: 501050 6LT OVAL CHANDELIER DENALI

Customer Service: (702) 361-4345, (800) 525-2655,
customer.service@kalco.com



- Step 2.** Fasten (2) 8-32 x 1 1/2" studs into mounting plate so that they extend away from the ceiling when the mounting plate is installed.
- Step 3.** Attach mounting plate to outlet box with the (2) 8-32 x 3/4" screws.
- Step 4.** Determine fixture height. Make adjustment if needed. Attach the chain to the main fixture loop using open link as shown.
- Step 5.** Lace wires through the chain links (every other link) .
- Step 6.** Refer to wiring diagram. With wire carefully threaded thru canopy, connect the black supply wire to the smooth fixture wire with wire connector, connect the white supply wire to the ribbed fixture wire with wire connector. Connect ground wire from fixture with supply ground wire.
- Step 7.** Carefully tuck all wires into outlet box ensuring that there are no wires pinched between the canopy and ceiling.
- Step 8.** Lock in place using ball nuts provided.





**Assembly & Installation Instructions for:
501050 6LT OVAL CHANDELIER DENALI**



**Customer Service: (702) 361-4345, (800) 525-2655,
customer.service@kalco.com**

- Step 9.** Attach the diffuser in the socket.
- Step 10.** Attach the shade.
- Step 11.** Install bulb, do not use bulbs that exceed 40 Watts.

