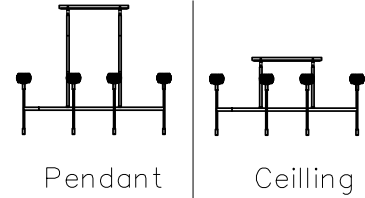


# Home



**WARNING - TO REDUCE THE RISK OF FIRE OR INJURY:**

- 1.If you are unfamiliar with electricalwiring, call a qualified electrician to install this unit .More than one person may be necessary to install fixture ,make sure you have enough qualified help.
- 2.Turn off the power to the fixture's circuit at the service panel. Use a coltage detector to verify that the power is off.
- 3.DO NOT install bulb which exceeds the maximum wattge specified on the socket label.

**Fixture Assembly**

Step 1. Fasten 2 8-32 screws to mounting plate so that they extend away from the wall when mounting plate is installed

Step 2. Attach mounting plate to electrical box using 2 8-32 machine screws  
At the same time,install safety to ceiling beam

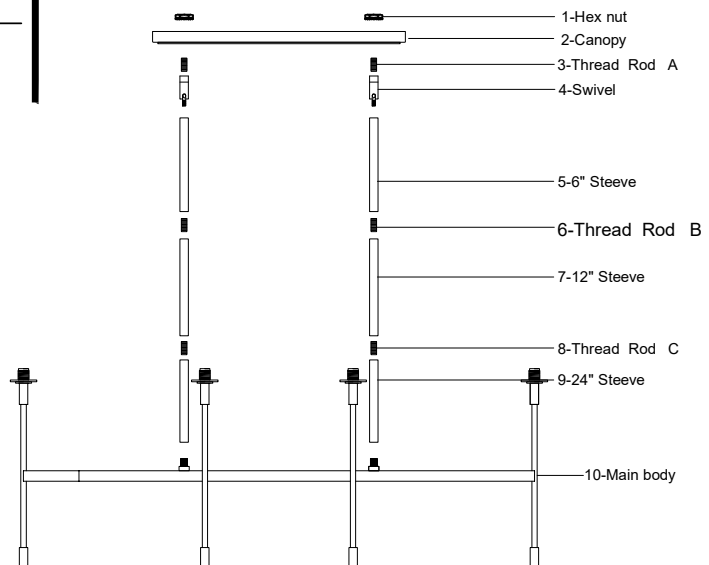
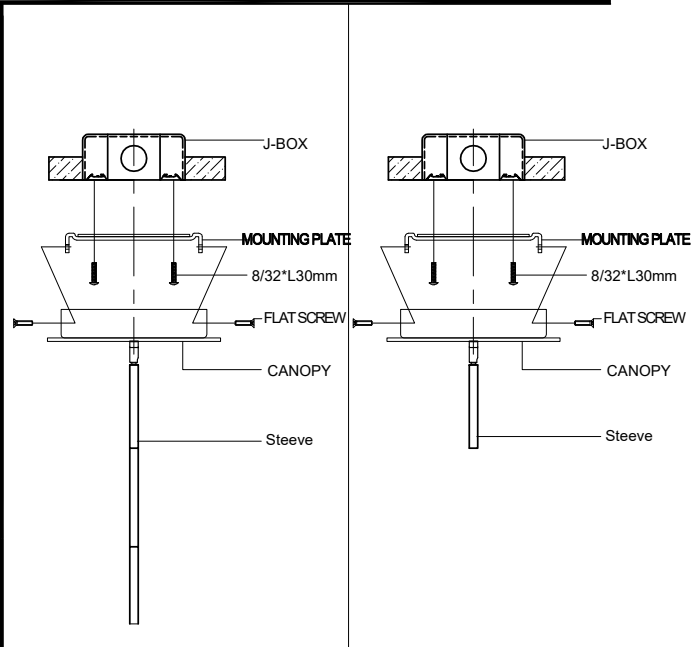
Step 3. Screw part #9 to part #10.

Step 4. Screw part #8 to part #7、 #9.

Step 5. Screw part #6 to part #5、 #7.

Step 6. Screw part #4 to part #5.

Step 7. Put part #3 through part #2 then screw to part #1、 #4.



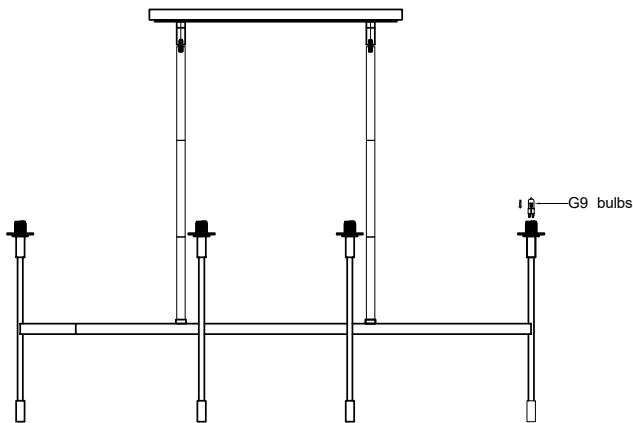
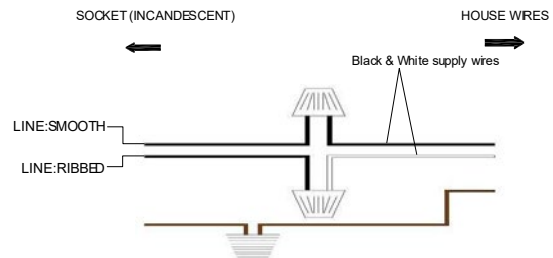
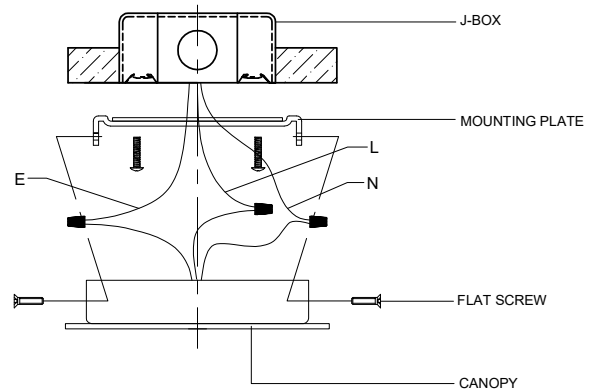
# Home

## Fixture Assembly

Step 8. Refer to wiring diagram.  
Splice the ribbed side of fixture cord to the white supply wire from outlet box with wire connector. Splice the smooth side of the fixture cord to black supply wire from outlet box with wire connector

Step 9. Carefully tuck in all wires and faise the canopy to the outlet box . Secure canopy with nuts

Step 10. Install G9 base bulb,do not use bulbs that exceeds 40W



Step 11. Assemble glass shade to the lamp body as shown,Align holes in glass shade with holes in fixture,and secure glass shade to fixture using headless socket ring

