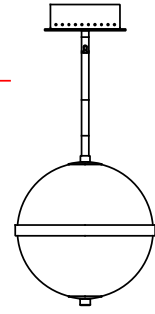




Assembly & Installation Instructions for: 512511WB



Customer Service: (702) 361-4345, (800) 525-2655, customer.services@kalco.com

WARNING - TO REDUCE THE RISK OF FIRE OR INJURY:

1. If you are unfamiliar with electrical wiring, call a qualified electrician to install this unit. More than one person may be necessary to install this fixture, make sure you have enough qualified help.
2. Turn off the power to the fixture's circuit at the service panel. Use a voltage detector to verify that the power is off.
3. DO NOT install bulb exceeding the maximum wattage specified on the socket label.

Fixture Assembly:

Step 1. Assemble the center pipe of the main fixture to the distributor as shown. Lock in place by twisting stem onto distributor.

Step 2. Fasten 2 8-32 screws to mounting plate so that they extend away from the wall when mounting plate is installed

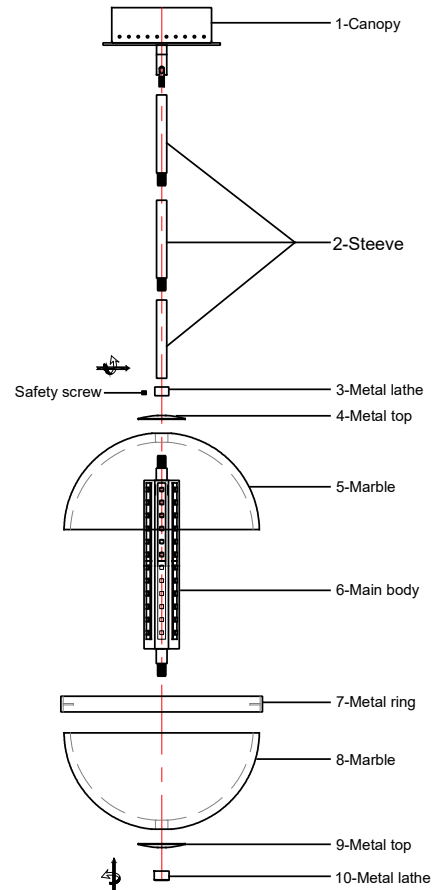
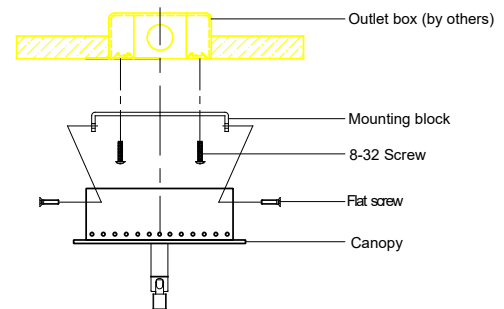
Step 3. Attach mounting plate to electrical box using 2 8-32 machine screws

Step 4. Fix part #4.#5 to part #6 by using part #3.

Step 5. Fix part #7.#8.#9 to part #6 by using part #10.

Step 6. Screw part #2 to part #6.

Step 7. Screw part #1 to part #6.#2.





Assembly & Installation Instructions for: 512511WB

Customer Service: (702) 361-4345, (800) 525-2655, customer.services@kalco.com

Fixture Installation:

Step 8. Refer to wiring diagram.
Splice the ribbed side of fixture cord to the white supply wire from outlet box with wire connector. Splice the smooth side of the fixture cord to black supply wire from outlet box with wire connector

Step 9. Carefully tuck in all wires and raise the canopy to the outlet box . Secure canopy with nuts

Step 10. Install LED.STRIPS,do not use LED.STRIPS that exceeds 12W .

