



**KALCO**  
Handcrafted Since 1980™  
www.kalco.com

Assembly & Installation Instructions for :  
Item No. : 513622BWB



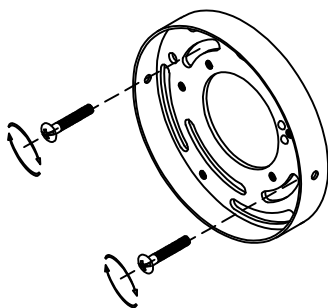
Customer Service : (800) 525-2655, [customercare@kalco.com](mailto:customercare@kalco.com)

**WARNING - TO REDUCE THE RISK OF FIRE OR INJURY:**

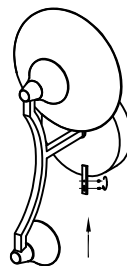
1. If you are unfamiliar with electrical wiring, call a qualified electrician to install this unit. More than one person may be necessary to install fixture, make sure you have enough qualified help.
2. Turn off the power to the fixture's circuit at the service panel. Use a voltage detector to verify that the power is off.
3. This fixture includes LED modules and dimmable driver.

**Fixture Assembly**

**1** Step 1. Attach the mounting plate to junction box using 2x M4 screws.



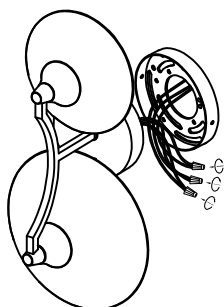
**2** Step 2. Install the metal shades onto the brackets on canopy and secure with 2 knobs. Adjust the shades slightly to ensure verticality and balance.



Small shade behind small arm

Large shade behind large arm

**3** Step 3. Connect the wires from driver to supply wires from junction box with wire connectors.



**4** Step 4. Place the canopy over mounting plate and secure with 3 side screws.

