

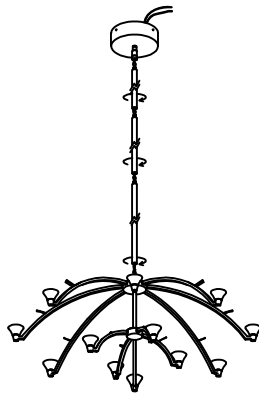
Customer Service : (800) 525-2655, customercare@kalco.com

WARNING - TO REDUCE THE RISK OF FIRE OR INJURY:

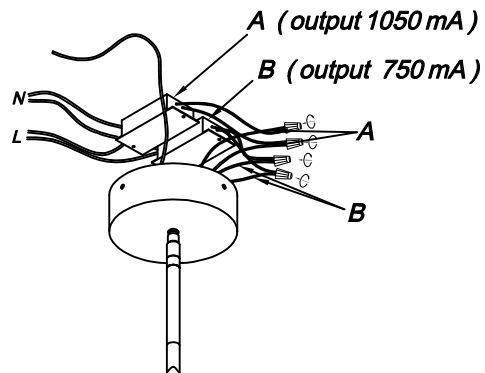
1. If you are unfamiliar with electrical wiring, call a qualified electrician to install this unit. More than one person may be necessary to install fixture, make sure you have enough qualified help.
2. Turn off the power to the fixture's circuit at the service panel. Use a voltage detector to verify that the power is off.
3. This fixture includes LED modules and dimmable driver.

Fixture Assembly

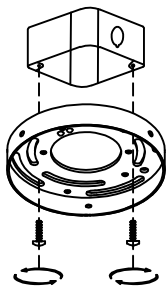
- 1** Step 1. Feed the wires through the stems, Connect the stems together and screw onto the fixture hub and canopy.



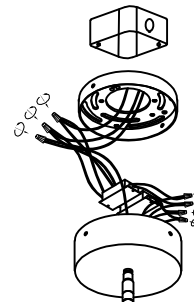
- 2** Step 2. Connect the wires from fixture to the output wires of driver with wire connectors. Pls follow the stickers and connect the wires to Driver A & B properly.



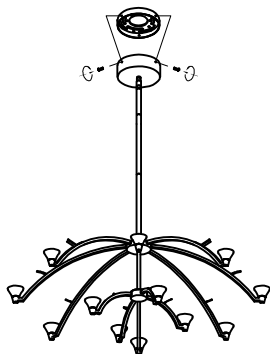
- 3** Step 3. Attach the mounting plate to junction box using 2x M4 screws.



- 4** Step 4. Connect the wires from driver to supply wires from junction box with wire connectors.



- 5** Step 5. Place the canopy over mounting plate and secure with 3 side screws.



- 6** Step 6. Install the metal shades onto the arms and secure with 2 knobs. Adjust the shades slightly to make sure verticality and balance.

