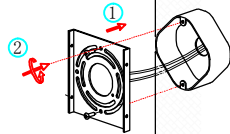


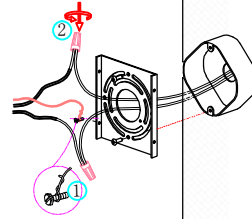
Home

ASSEMBLY INSTRUCTIONS

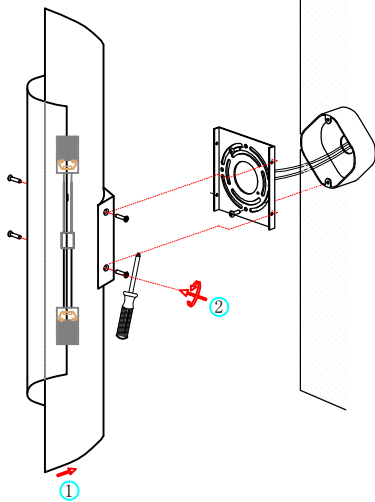
ITEM NO.:514721GD
Lamp holder:E12*2



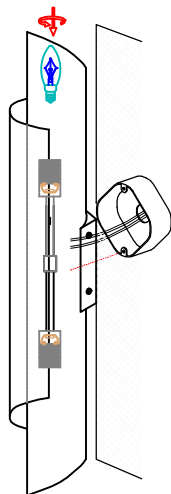
1



2



3



4

Installation program

1. Fix the wall plate on the wall by screws.
2. Connect the wires in the wall box to the external power cord.
3. Push the wall box to the wall and lock it with screws.
4. Prepare the E12 light bulbs and install them on the corresponding lamp holders.
5. Restore power to the wall box and test the wall lamp.

ATTENTION

⚠ WARNINGS

1. Do not disassemble this product.
2. Do not strike or shake violently.
3. Do not wipe with ethyl alcohol, gasoline, paint thinners and etc.

Assembling Attention :

1. Components without any defect or out of shape should be on desk.
2. Turn OFF power when the wall lamp is being installed.
3. The bearing of wall plate should be enough for the lamp.
4. The power of it cannot be higher than the maximum marked on lamp.