



ASSEMBLY & INSTALLATION INSTRUCTIONS

MODEL: 515145OL
SAMAL 4 LIGHTS SEMI-FLUSH

I M A G E



If you have any questions or problems assembling your fixture please call us for assistance.

Customer Service: (702) 361-4345 or (800) 525-2655
customer.services@kalco.com

WARNING! TO REDUCE THE RISK OF FIRE OR INJURY PLEASE TAKE PRECAUTION AND FOLLOW THE STEPS BELOW.

1. If you are unfamiliar with electrical wiring, call a qualified electrician to install this unit. More than one person may be necessary to install fixture, make sure you have enough qualified help.
2. Turn off the power to the fixture's circuit at the service panel. Use a voltage detector to verify that the power is off.
3. DO NOT install bulb which exceeds the maximum wattage specified on the socket label.

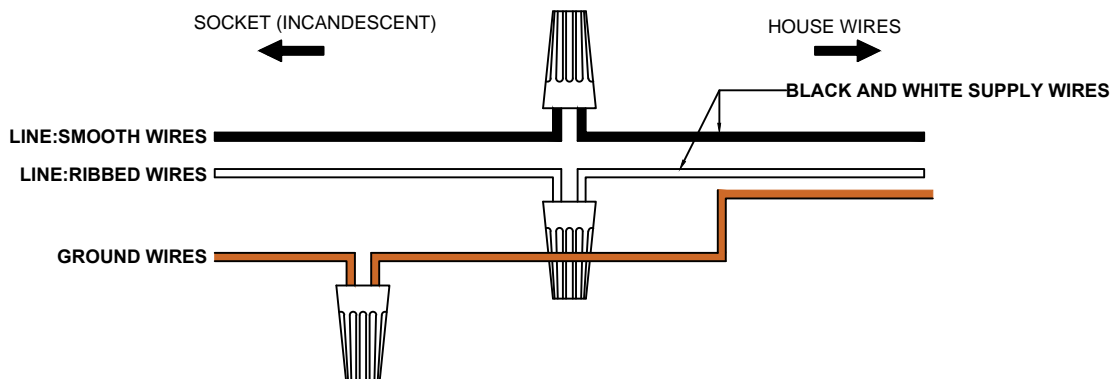
Si vous avez des questions ou des problèmes assemblage de votre dispositif s'il vous plait appel pour l'assistance.

Customer Service: (702) 361-4345 or (800) 525-2655
customer.services@kalco.com

AVERTISSEMENT! POUR RÉDUIRE LES RISQUES D'INCENDIE OU DE BLESSURES S'IL VOUS PLAÎT PRENDRE DES PRÉCAUTIONS ET SUIVEZ LES ÉTAPES CI-DESSOUS.

1. Si vous n'êtes pas familier avec le câblage électrique, appelez un électricien qualifié pour installer cet appareil. Plus d'une personne peut être nécessaire d'installer appareil, assurez vous que vous disposez de l'aide assez qualifié.
2. Coupez l'alimentation au circuit de l'appareil sur le tableau de service. Utiliser un détecteur de tension pour vérifier que l'alimentation est coupée
3. NE PAS installer l'ampoule qui excède la puissance maximale indiquée sur l'étiquette du socket.

WIRING DIAGRAM



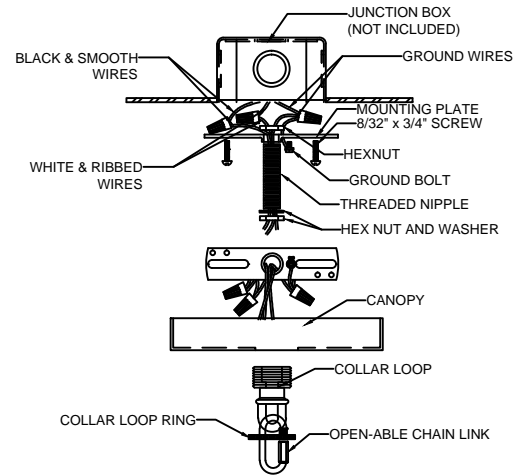


ASSEMBLY & INSTALLATION INSTRUCTIONS

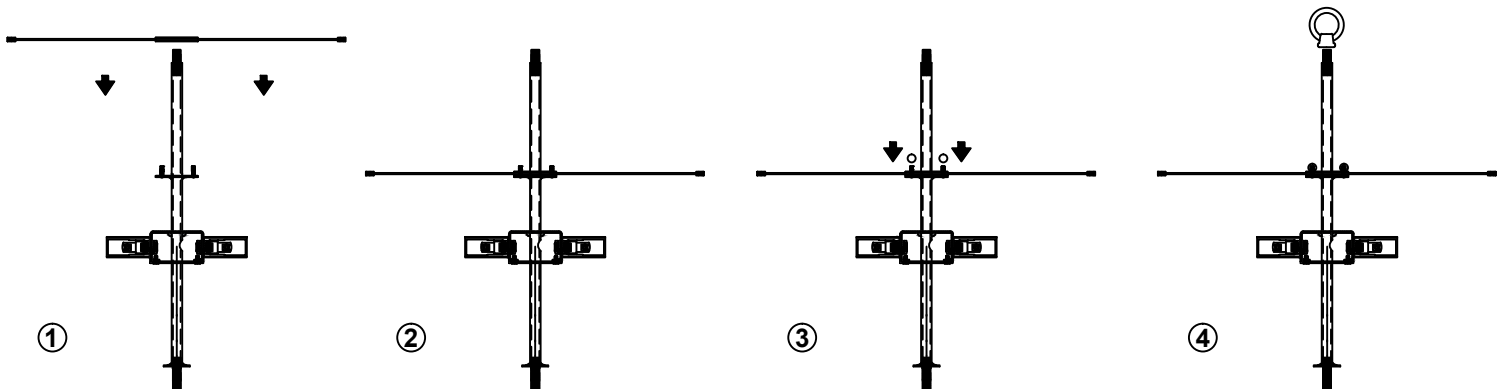
MODEL: 515145OL
SAMAL 4 LIGHTS SEMI-FLUSH

MOUNTING / ELECTRICAL INSTALLATION

- STEP 1:** Fasten nipple into mounting plate so that they extend away from the ceiling when the mounting plate is installed. Lock in place using the hex nut & washer provided.
- STEP 2:** Attach mounting plate to outlet box with the (2) 8-32 x 3/4" screws.
- STEP 3:** Lace wires through the canopy and collar loop .
- STEP 4:** Refer to wiring diagram. With wire carefully threaded thru canopy,connect the black supply wire to the smooth fixture wire with wire connector, connect the white supply wire to theribbed fixture wire with wire connector. Connect ground wire from fixture with supply ground wire.
- STEP 5:** Carefully tuck all wires into outlet box ensuring that there are no wires pinched between the canopy and ceiling.
- STEP 6:** Lock in place using the collar loop ring provided.



COMPONENT ASSEMBLY



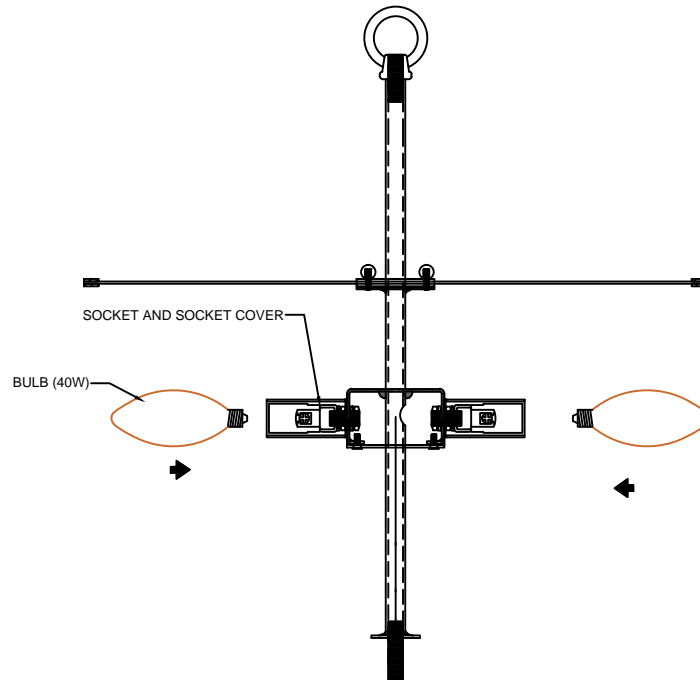
- STEP 7:** Dettached the fixture loop to the main fixture.
- STEP 8:** Carefully insert the metal diffuser to the center cluster.
- STEP 9:** Lock the metal diffuser using two pieces of ball nut,
- STEP 10:** Attach the fixture loop



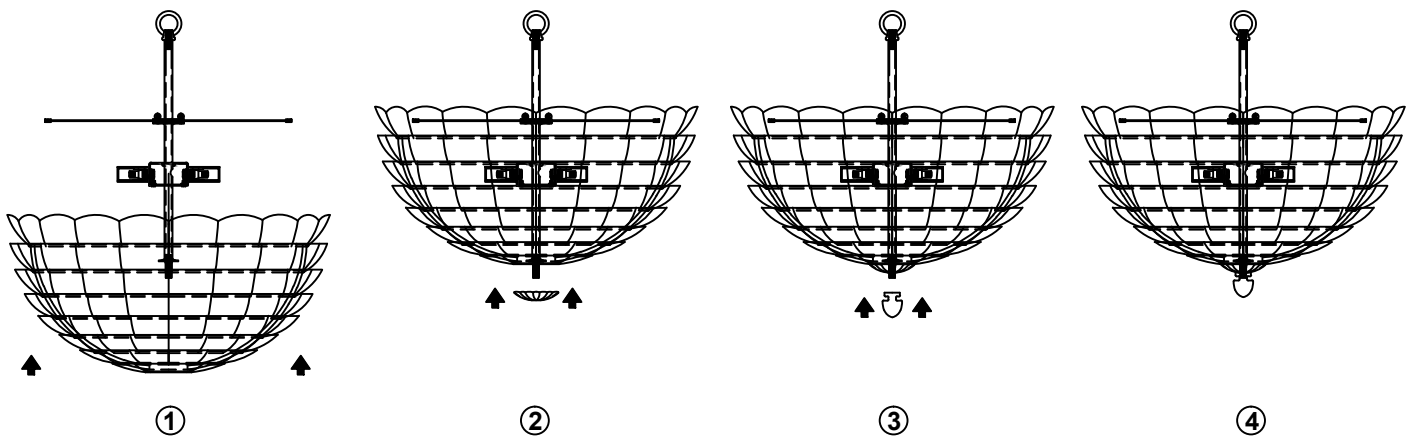
ASSEMBLY & INSTALLATION INSTRUCTIONS

MODEL: 515145OL
SAMAL 4 LIGHTS SEMI-FLUSH

COMPONENT ASSEMBLY



STEP 11: Attached the bulb to the socket, do not exceed (40 W.)



STEP 12: Carefully attached the capiz shade to the bottom stem. and follow by the flower bobeche.

STEP 13: Secure the capiz shade and bobeche using finial.



ASSEMBLY & INSTALLATION INSTRUCTIONS

MODEL: 515145OL
SAMAL 4 LIGHTS SEMI-FLUSH

PARTS LIST

IMAGE	PARTS NAME	QTY
	X-9 Parts Bag	1 PC
	Screw	2 PCS
	Threaded Nipple	1 PC
	Star Washer	1 PC
	Hex Nut	2 PCS
	Canopy	1 PC
	Open-able Chain	1 PC