



**KALCO.**  
Handcrafted Since 1980

# ASSEMBLY & INSTALLATION INSTRUCTIONS

MODEL: 515155OL  
SAMAL 21 INCH PENDANT

## I M A G E



If you have any questions or problems assembling your fixture please call us for assistance.

Customer Service: (702) 361-4345 or (800) 525-2655  
[customer.services@kalco.com](mailto:customer.services@kalco.com)

**WARNING!** TO REDUCE THE RISK OF FIRE OR INJURY PLEASE TAKE PRECAUTION AND FOLLOW THE STEPS BELOW.

1. If you are unfamiliar with electrical wiring, call a qualified electrician to install this unit. More than one person may be necessary to install fixture, make sure you have enough qualified help.
2. Turn off the power to the fixture's circuit at the service panel. Use a voltage detector to verify that the power is off.
3. DO NOT install bulb which exceeds the maximum wattage specified on the socket label.

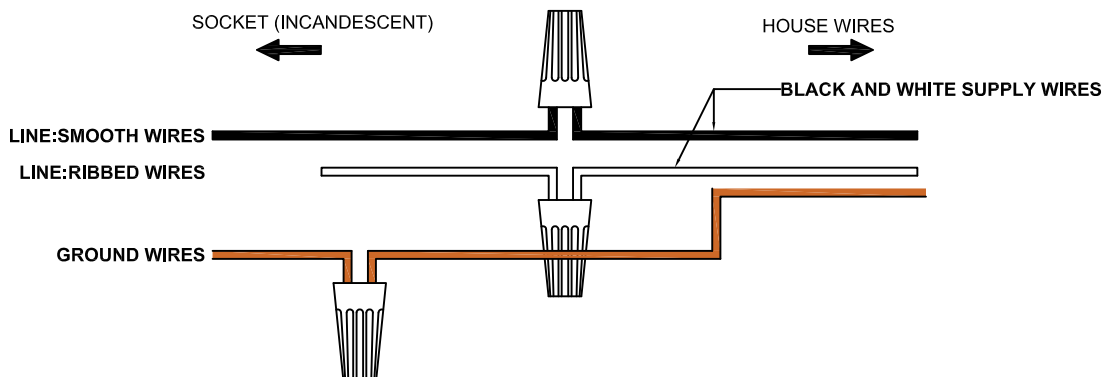
Si vous avez des questions ou des problèmes assemblage de votre dispositif s'il vous plaît appel pour l'assistance.

Customer Service: (702) 361-4345 or (800) 525-2655  
[customer.services@kalco.com](mailto:customer.services@kalco.com)

**AVERTISSEMENT!** POUR RÉDUIRE LES RISQUES D'INCENDIE OU DE BLESSURES S'IL VOUS PLAÎT PRENDRE DES PRÉCAUTIONS ET SUIVEZ LES ÉTAPES CI-DESSOUS.

1. Si vous n'êtes pas familier avec le câblage électrique, appelez un électricien qualifié pour installer cet appareil. Plus d'une personne peut être nécessaire d'installer appareil, assurez vous que vous disposez de l'aide assez qualifié.
2. Coupez l'alimentation au circuit de l'appareil sur le tableau de service. Utiliser un détecteur de tension pour vérifier que l'alimentation est coupée
3. NE PAS installer l'ampoule qui excède la puissance maximale indiquée sur l'étiquette du socket.

## WIRING DIAGRAM





**KALCO.**  
Handcrafted Since 1980

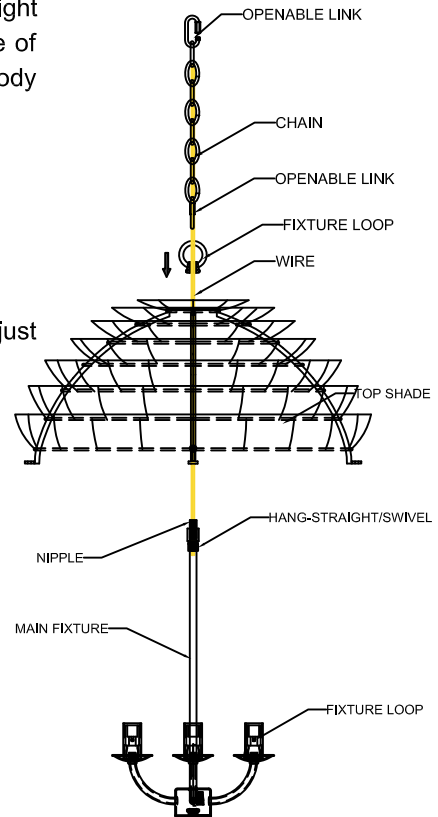
# ASSEMBLY & INSTALLATION INSTRUCTIONS

**MODEL: 515155OL**  
**SAMAL 21 INCH PENDANT**

## KNOCK DOWN ASSEMBLY

**STEP 1:** To assemble the top shade, carefully insert the wire through the threaded nipple, then fasten the nipple on top of the hang straight or swivel. Insert the wire again through the hole from the inside of the top shade and through the fixture loop. Raise the fixture body till the nipple goes through the hole. Lock the fixture loop to the nipple.

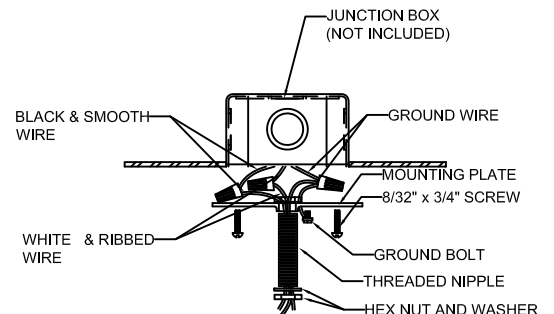
**STEP 2:** Attach the chain to the fixture loop using the openable link. Adjust the length as needed. Lace the wire through every other link.



## ELECTRICAL / MOUNTING INSTALLATION

**STEP 3:** Attach mounting plate to outlet box with the (2) 8/32"x 3/4" screws. Fasten Nipple into mounting plate so that they extend away from the ceiling when the mounting plate is installed. Lock in place using the hex nut and washer provided.

**STEP 4:** Refer to wiring diagram. With wire carefully threaded thru canopy, connect the black supply wire to the smooth fixture wire with wire connector, connect the white supply wire to the ribbed fixture wire with wire connector. Connect ground wire from fixture with supply ground wire.





**KALCO.**  
Handcrafted Since 1980

# ASSEMBLY & INSTALLATION INSTRUCTIONS

MODEL: 515155OL  
SAMAL 21 INCH PENDANT

## ELECTRICAL / MOUNTING INSTALLATION

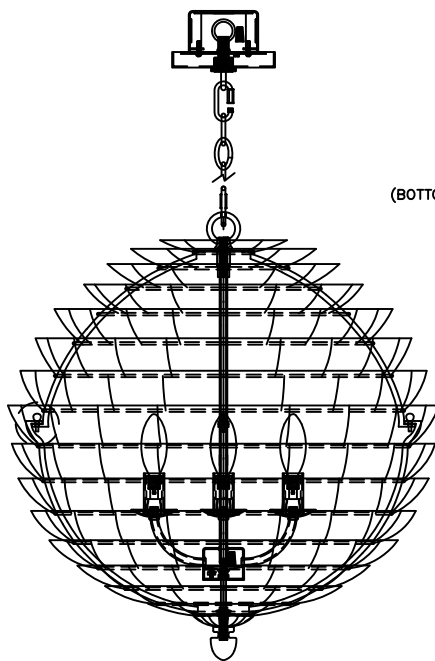
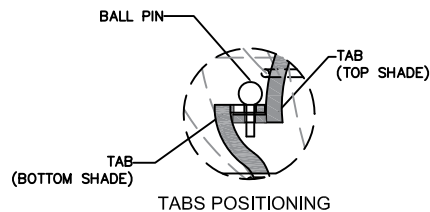
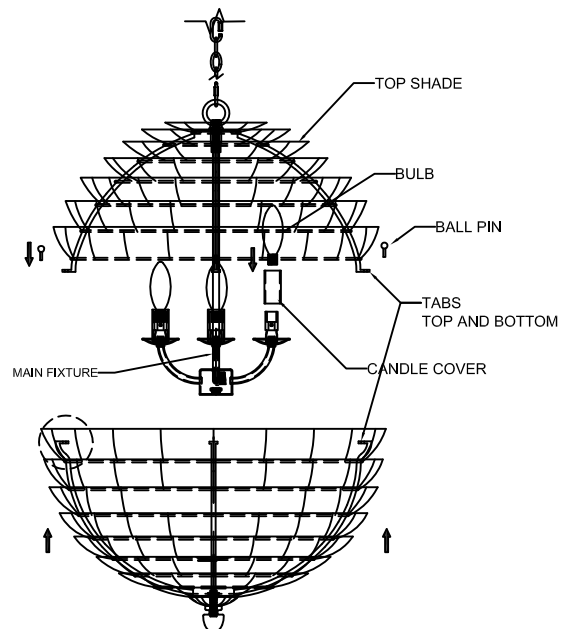
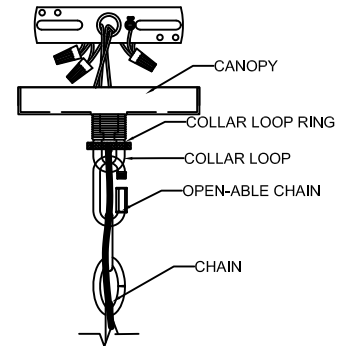
**STEP 5:** Carefully tuck all wires into outlet box ensuring that there are no wires pinched between the canopy and ceiling.

**STEP 6:** Fix the canopy using the collar loop ring provided. Attach top end of the chain to the collar loop using the other open-able chain to hang.

**STEP 7:** Insert candle covers to the sockets and place the bulbs. Do not put bulbs that exceeds 60W.

**STEP 8:** Hold the top shade steady. Raise the bottom shade to meet the top shade, make sure the tabs on the bottom shade rest on top of the tabs of the top shade then insert the ball pin to lock.

Or you can assemble the ball fixture first before mounting. Make sure the fixture is well supported during the installation.



ASSEMBLED FIXTURE

### FOR LIGHTING MAINTENANCE:

- Regular cleaning of fixture with proper and gentle care using a soft duster, soft lint-free or damp cloth is recommended.
- Refrain from using harsh cleaning liquids that may cause chemical reaction on the hand painted finishes.
- Always refer to the Assembly Instruction before removing any components.
- HANDLE WITH CARE.



**KALCO.**  
Handcrafted Since 1980

# ASSEMBLY & INSTALLATION INSTRUCTIONS

MODEL: 515155OL  
SAMAL 21 INCH PENDANT

## PARTS LIST

IMAGE	PARTS NAME	QTY
	X-9 Parts Bag	1 PC
	Screw	2 PCS
	Threaded Nipple	1 PC
	Star Washer	1 PC
	Hex Nut	2 PCS
	Open-able Chain	2 PCS
	Chain (4ft.)	1 PC
	Canopy	1 PC
	Candle Cover	4 PCS