



KALCO
Handcrafted Since 1980

ASSEMBLY & INSTALLATION INSTRUCTIONS

MODEL: 515261BM
SEYCHELLES 46 INCH ISLAND

I M A G E



If you have any questions or problems assembling your fixture please call us for assistance.

Customer Service: (702) 361-4345 or (800) 525-2655
customer.services@kalco.com

WARNING! TO REDUCE THE RISK OF FIRE OR INJURY PLEASE TAKE PRECAUTION AND FOLLOW THE STEPS BELOW.

1. If you are unfamiliar with electrical wiring, call a qualified electrician to install this unit. More than one person may be necessary to install fixture, make sure you have enough qualified help.
2. Turn off the power to the fixture's circuit at the service panel. Use a voltage detector to verify that the power is off.
3. DO NOT install bulb which exceeds the maximum wattage specified on the socket label.

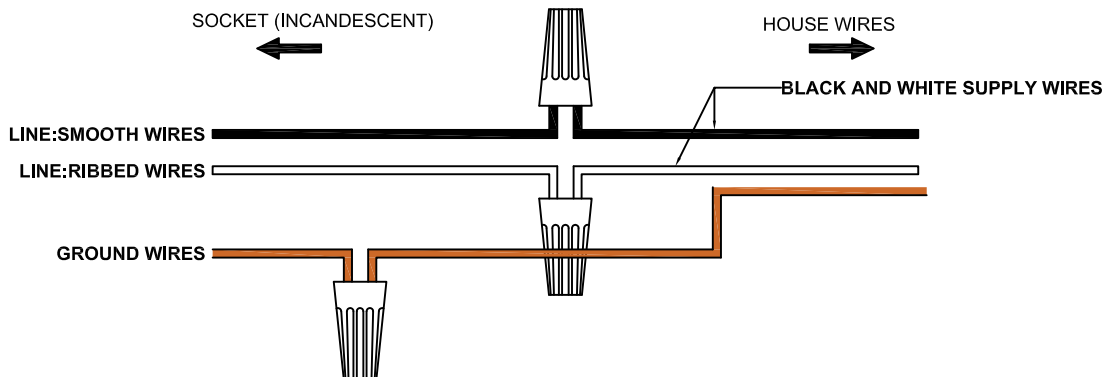
Si vous avez des questions ou des problèmes assemblage de votre dispositif s'il vous plaît appel pour l'assistance.

Customer Service: (702) 361-4345 or (800) 525-2655
customer.services@kalco.com

AVERTISSEMENT! POUR RÉDUIRE LES RISQUES D'INCENDIE OU DE BLESSURES S'IL VOUS PLAÎT PRENDRE DES PRÉCAUTIONS ET SUIVEZ LES ÉTAPES CI-DESSOUS.

1. Si vous n'êtes pas familier avec le câblage électrique, appelez un électricien qualifié pour installer cet appareil. Plus d'une personne peut être nécessaire d'installer appareil, assurez vous que vous disposez de l'aide assez qualifié.
2. Coupez l'alimentation au circuit de l'appareil sur le tableau de service. Utiliser un détecteur de tension pour vérifier que l'alimentation est coupée
3. NE PAS installer l'ampoule qui excède la puissance maximale indiquée sur l'étiquette du socket.

WIRING DIAGRAM



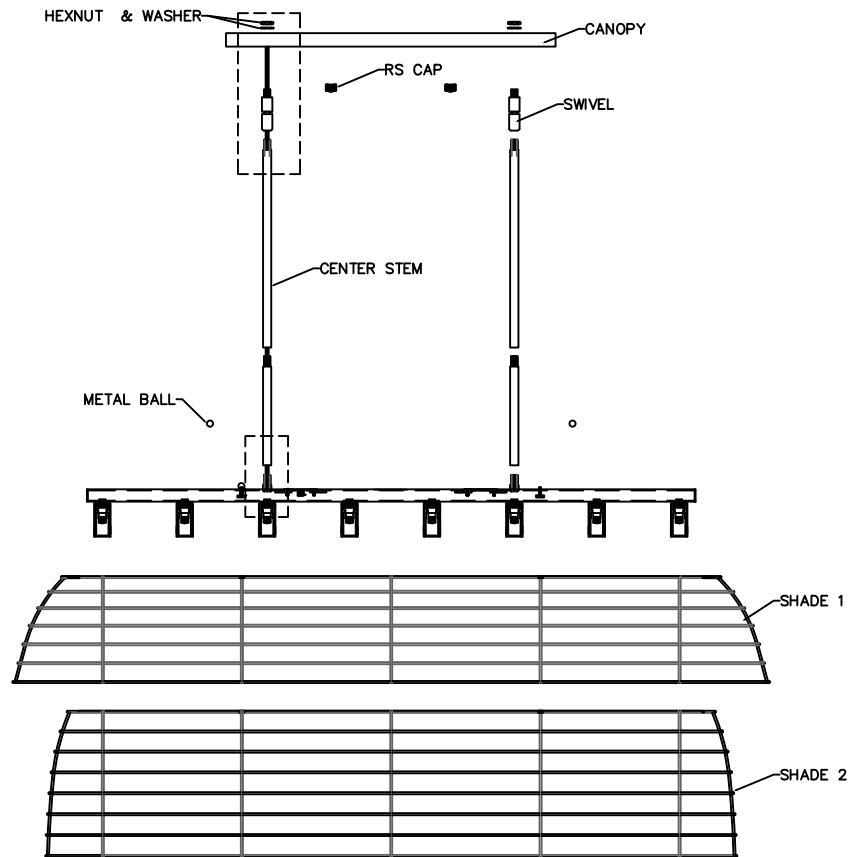


KALCO.
Handcrafted Since 1980

ASSEMBLY & INSTALLATION INSTRUCTIONS

MODEL: 515261BM
SEYCHELLES 46 INCH ISLAND

KNOCK DOWN ASSEMBLY



STEP 1: Carefully insert the wire through the stem. Connect bottom end of the stem to the main frame then turn to lock.

NOTE: Shade is pre-assembled.

STEP 2: Determine fixture height. Adjust the stems accordingly then attached the swivel on the top end.

STEP 3: Insert the swivel threaded end through the canopy and lock it up with hexnut and washer.



KALCO.
Handcrafted Since 1980

ASSEMBLY & INSTALLATION INSTRUCTIONS

MODEL: 515261BM
SEYCHELLES 46 INCH ISLAND

ELECTRICAL / MOUNTING INSTALLATION

STEP 4: Attach mounting plate to outlet box with the (2) 8-32 x 3/4" screws.

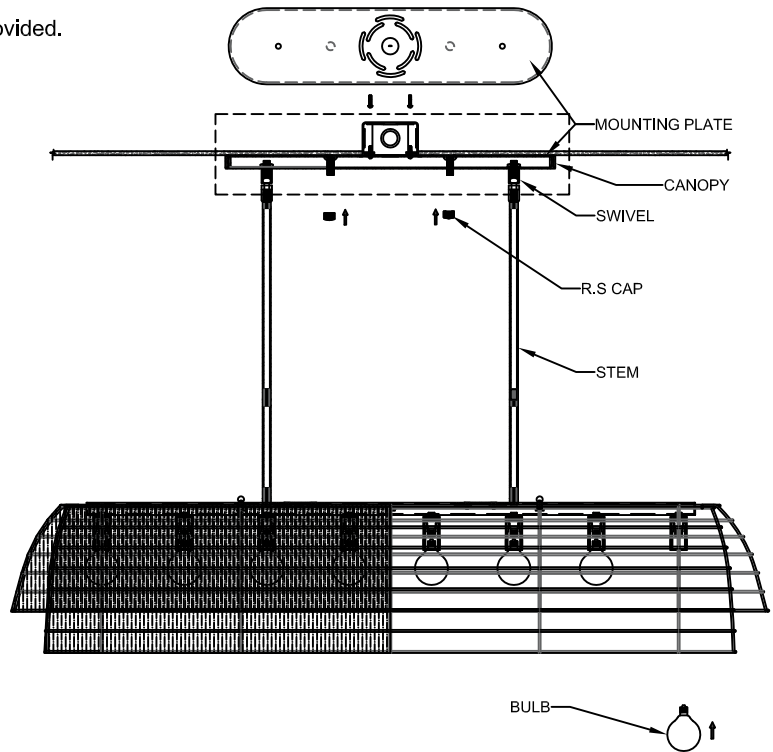
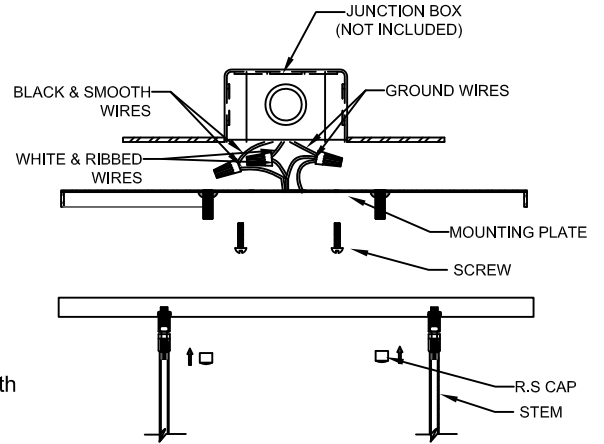
STEP 6: Lace wires through the mounting plate.

STEP 7: Refer to wiring diagram. With wire carefully threaded thru canopy, connect the black supply wire to the smooth fixture wire with (wire) connector, connect the white supply wire to the ribbed fixture wire with wire connector. Connect ground wire from fixture with supply ground wire.

STEP 8: Carefully tuck all wires into outlet box ensuring that there are no wires pinched between the canopy and ceiling.

STEP 9: Lock the canopy in place using the RS Caps provided.

STEP 10: Insert bulb to the socket, do not exceed bulb above 60watts.





KALCO
Handcrafted Since 1980

ASSEMBLY & INSTALLATION INSTRUCTIONS

MODEL: 515261BM
SEYCHELLES 46 INCH ISLAND

PARTS LIST

IMAGE	PARTS NAME	QTY
	Screw	2 PCS
	Star Washer	2 PC
	Hex Nut	2 PCS
	Modified Mounting Plate	1 PC
	Canopy	1 PC
	RS cap	2 PC
	STEM	2 SETS
	SWIVEL	2 PCS

LIGHTING MAINTENANCE:

- Regular cleaning of fixture with proper and gentle care using a soft duster, soft lint-free or damp cloth is recommended.
- Refrain from using harsh cleaning liquids that may cause chemical reaction on the hand painted finishes.
- Always refer to the Assembly Instruction before removing any components.
- **HANDLE WITH CARE.**