



KALCO
Handcrafted Since 1980

ASSEMBLY & INSTALLATION INSTRUCTIONS

MODEL: 515345MB
TABLAS 16 INCH SEMI FLUSH

I M A G E



If you have any questions or problems assembling your fixture please call us for assistance.

Customer Service: (702) 361-4345 or (800) 525-2655
customer.services@kalco.com

WARNING! TO REDUCE THE RISK OF FIRE OR INJURY PLEASE TAKE PRECAUTION AND FOLLOW THE STEPS BELOW.

1. If you are unfamiliar with electrical wiring, call a qualified electrician to install this unit. More than one person may be necessary to install fixture, make sure you have enough qualified help.
2. Turn off the power to the fixture's circuit at the service panel. Use a voltage detector to verify that the power is off.
3. DO NOT install bulb which exceeds the maximum wattage specified on the socket label.

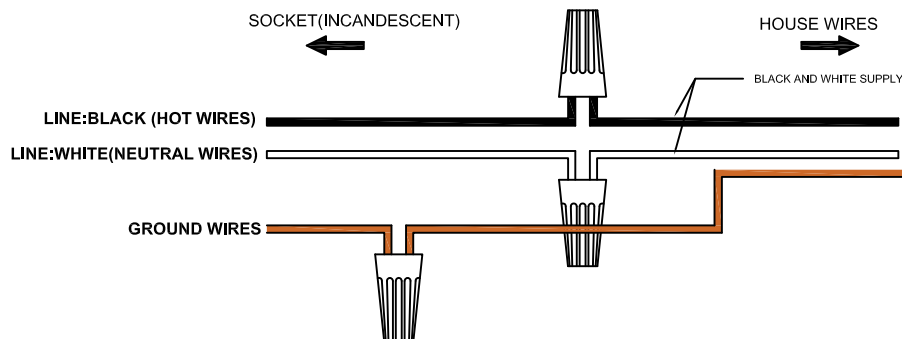
Si vous avez des questions ou des problèmes assemblage de votre dispositif s'il vous plaît appel pour l'assistance.

Customer Service: (702) 361-4345 or (800) 525-2655
customer.services@kalco.com

AVERTISSEMENT! POUR RÉDUIRE LES RISQUES D'INCENDIE OU DE BLESSURES S'IL VOUS PLAÎT PRENDRE DES PRÉCAUTIONS ET SUIVEZ LES ÉTAPES CI-DESSOUS.

1. Si vous n'êtes pas familier avec le câblage électrique, appelez un électricien qualifié pour installer cet appareil. Plus d'une personne peut être nécessaire d'installer appareil, assurez vous que vous disposez de l'aide assez qualifié.
2. Coupez l'alimentation au circuit de l'appareil sur le tableau de service. Utiliser un détecteur de tension pour vérifier que l'alimentation est coupée
3. NE PAS installer l'ampoule qui excède la puissance maximale indiquée sur l'étiquette du socket.

WIRING DIAGRAM





KALCO
Handcrafted Since 1980

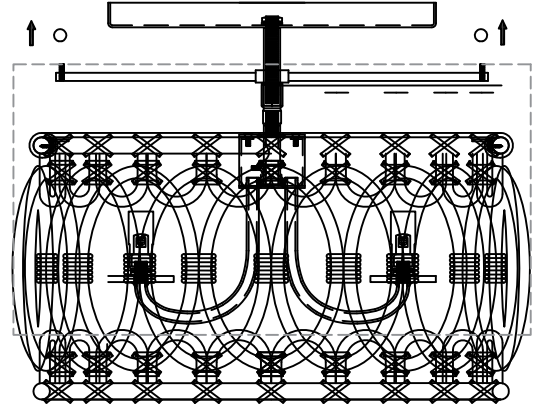
ASSEMBLY & INSTALLATION INSTRUCTIONS

MODEL: 515345MB
TABLAS 16 INCH SEMI FLUSH

KNOCK DOWN ASSEMBLY

STEP 1: To install the shade, lift it to meet and insert the studs through the holes on the cross bar then lock with ball nuts.

NOTE: Shade could be pre-assembled.



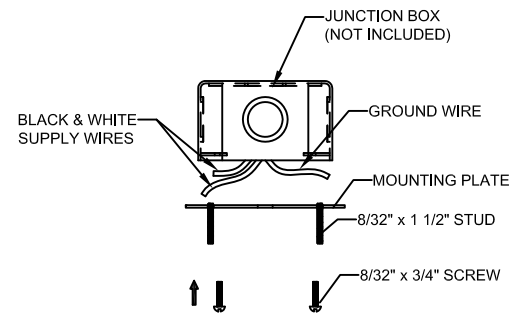
ELECTRICAL / MOUNTING INSTALLATION

STEP 2: Fasten (2) 8-32 x 1 1/2" studs into mounting plate so that they extend away from the ceiling when the mounting plate is installed.

STEP 3: Attach mounting plate to outlet box with the (2) 8-32 x 3/4" screws.

STEP 4: Connect bare ground wire from the outlet box (if supplied) with connectors.

STEP 5: Attach the shade to the crossbar and lock it using ballnuts.





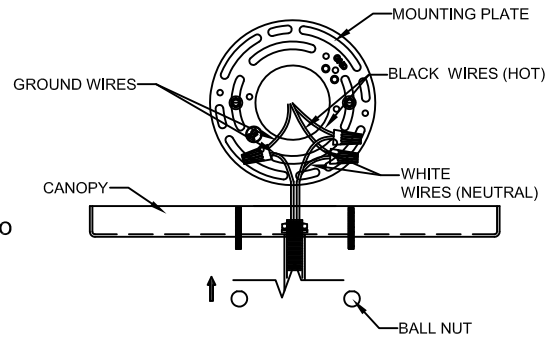
KALCO
Handcrafted Since 1980

ASSEMBLY & INSTALLATION INSTRUCTIONS

MODEL: 515345MB
TABLAS 16 INCH SEMI FLUSH

ELECTRICAL / MOUNTING INSTALLATION

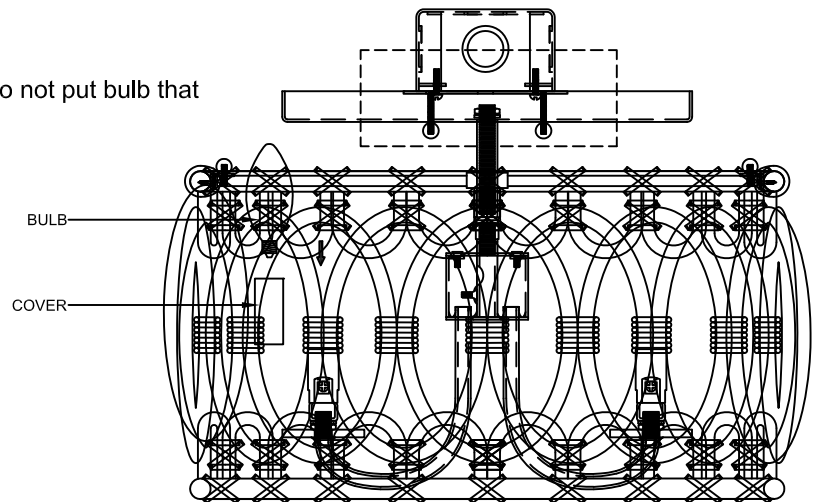
STEP 6: Refer to wiring diagram. With wire carefully threaded thru canopy, connect the black supply wire to the black fixture wire with wire connector, connect the white supply wire to the white fixture wire with wire connector.



STEP 7: Carefully tuck all wires into outlet box ensuring that there are no wires pinched between the canopy and ceiling.

STEP 8: Attach the canopy to mounting plate and lock it by using two (2) pcs of ball nut.

STEP 9: Put the candle covers and then bulb. Do not put bulb that exceeds 60W



FOR LIGHTING MAINTENANCE:

- Regular cleaning of fixture with proper and gentle care using a soft duster, soft lint-free or damp cloth is recommended.
- Refrain from using harsh cleaning liquids that may cause chemical reaction on the hand painted finishes.
- Always refer to the Assembly Instruction before removing any components.
- HANDLE WITH CARE.



KALCO
Handcrafted Since 1980

ASSEMBLY & INSTALLATION INSTRUCTIONS

MODEL: 515345MB
TABLAS 16 INCH SEMI FLUSH

PARTS LIST

IMAGE	PARTS NAME	QTY
	X2A Parts Bag	1 PC
	Screw	2 PCS
	Ball Nut	6 PCS
	Hex Nut	2 PCS
	Stud	2 PCS
	Candle Cover	3 PCS
	Canopy	1 PC