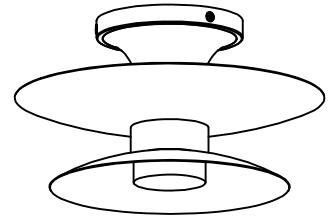




KALCO
Handcrafted Since 1980™
www.kalco.com

Assembly & Installation Instructions for :
Item No. : 516245WMB



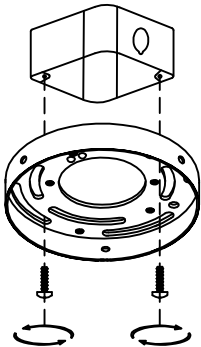
Customer Service : (800) 525-2655, customer@kalco.com

WARNING - TO REDUCE THE RISK OF FIRE OR INJURY:

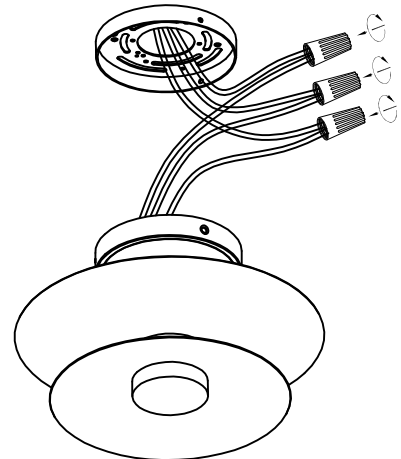
1. If you are unfamiliar with electrical wiring, call a qualified electrician to install this unit. More than one person may be necessary to install fixture, make sure you have enough qualified help.
2. Turn off the power to the fixture's circuit at the service panel. Use a voltage detector to verify that the power is off.
3. This fixture includes driverless LED light source.

Fixture Assembly

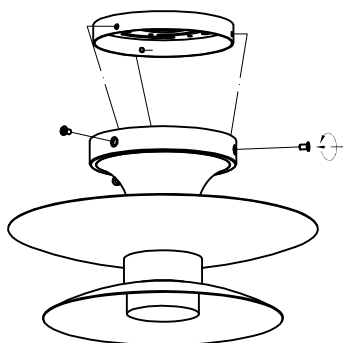
- 1** Step 1. Remove the mounting plate from fixture, Attach it to J-box using 2x M4 screws.



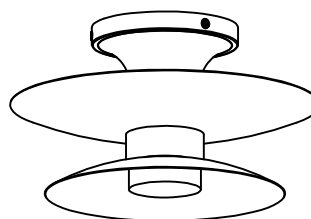
- 2** Step 2. Connect the wires from fixture to supply wires from J-box with wire connectors.



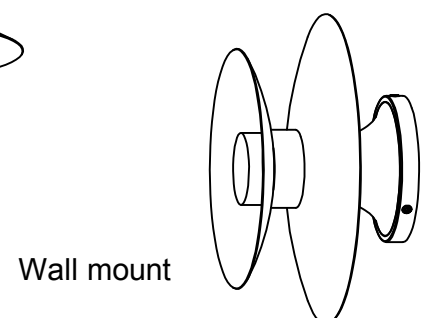
- 3** Step 3. Place the canopy over mounting plate and secure with 3x side screw.



This fixture could be installed as ceiling flush mount and wall sconce.



Flush mount



Wall mount