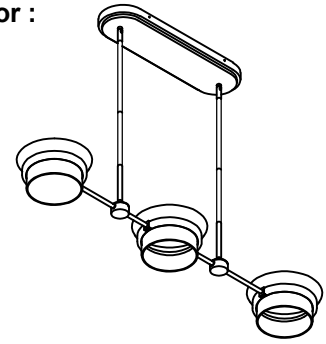




KALCO
Handcrafted Since 1980™
www.kalco.com

**Assembly & Installation Instructions for :
Item No. : 517361MB**



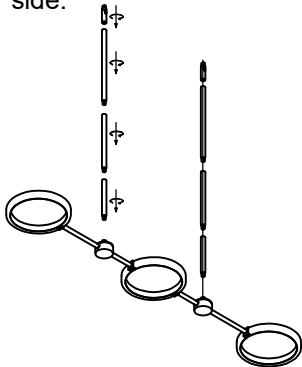
Customer Service : (800) 525-2655, customercare@kalco.com

WARNING - TO REDUCE THE RISK OF FIRE OR INJURY:

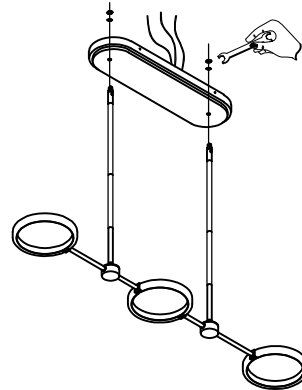
1. If you are unfamiliar with electrical wiring, call a qualified electrician to install this unit. More than one person may be necessary to install fixture, make sure you have enough qualified help.
2. Turn off the power to the fixture's circuit at the service panel. Use a voltage detector to verify that the power is off.
3. This fixture includes LED light source.

Fixture Assembly

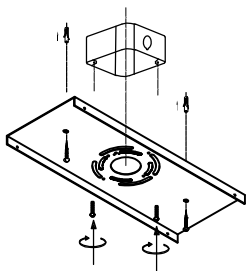
1 Step 1. Feed the wires through the stems, Connect the stems one by one onto the fixture cluster, connect the stems on the other side.



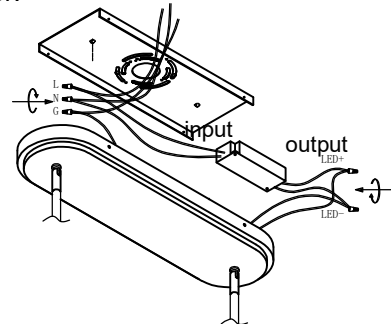
2 Step 2. Attach the canopy on top of stems and secure with washers & nuts.



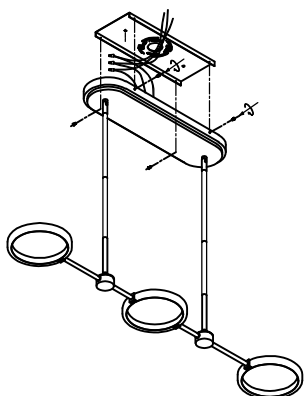
3 Step 3. Attach the mounting plate to J-box using 2x M4 screws. Attach the two self-tapping screws on ceiling to strengthen the installation .



4 Step 4. Connect the fixture wires to output end of driver, and supply wires from J-box to input end of driver.



5 Step 5. Place the canopy over mounting plate and secure with 4x side screw.



6 Step 6. Put the glass shades into the rings. Adjust the glass to make it sit properly.

