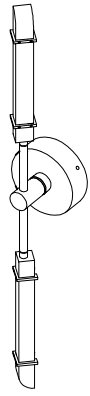




KALCO
Handcrafted Since 1980™
www.kalco.com

**Assembly & Installation Instructions for :
Item No. : 517921SBW**



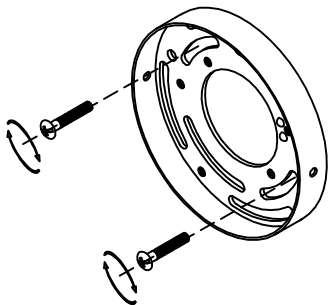
Customer Service : (800) 525-2655, customercare@kalco.com

WARNING - TO REDUCE THE RISK OF FIRE OR INJURY:

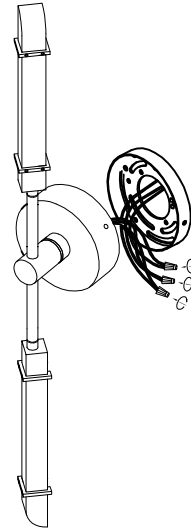
1. If you are unfamiliar with electrical wiring, call a qualified electrician to install this unit. More than one person may be necessary to install fixture, make sure you have enough qualified help.
2. Turn off the power to the fixture's circuit at the service panel. Use a voltage detector to verify that the power is off.
3. This fixture includes LED light source and dimmable driver.

Fixture Assembly

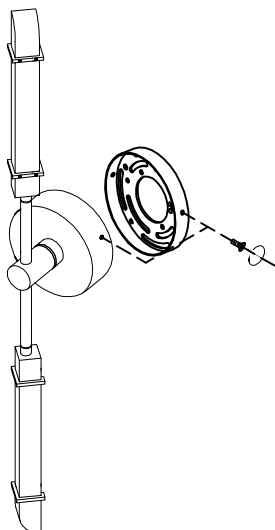
1 Step 1. Attach the mounting plate to J-box using 2x M4 screws.



2 Step 2. Connect the wires from driver to supply wires from J-box with wire connectors.



3 Step 3. Secure the fixture canopy to mounting plate with 3x side screw.



4 Step 4. Both shade heads rotation directions.

top head rotates clockwise:
facing wall -> to right side -> outwards

bottom head rotates anti-clockwise:
facing wall -> to left side -> outwards

