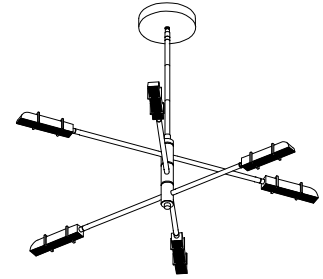




KALCO
Handcrafted Since 1980™
www.kalco.com

**Assembly & Installation Instructions for :
Item No. : 517971SBW**



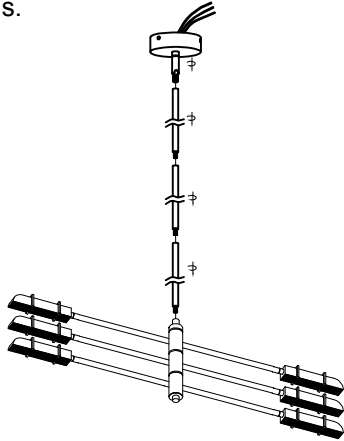
Customer Service : (800) 525-2655, customercare@kalco.com

WARNING - TO REDUCE THE RISK OF FIRE OR INJURY:

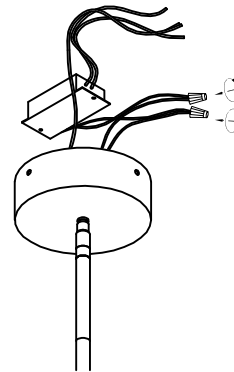
1. If you are unfamiliar with electrical wiring, call a qualified electrician to install this unit. More than one person may be necessary to install fixture, make sure you have enough qualified help.
2. Turn off the power to the fixture's circuit at the service panel. Use a voltage detector to verify that the power is off.
3. This fixture includes LED light source and dimmable driver.

Fixture Assembly

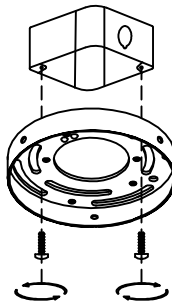
- 1** Step 1. Feed the wires through the stems, Connect the stems one by one on top of light cluster, attach the canopy on top of stems.



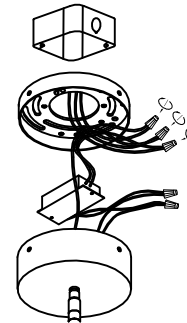
- 2** Step 2. Determine the length of wires, then connect the wires from light cluster to the output wires of driver with wire connectors.



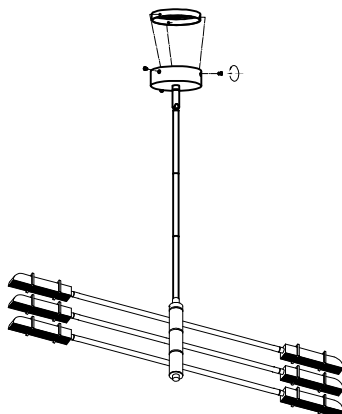
- 3** Step 3. Attach the mounting plate to J-box using 2x M4 screws.



- 4** Step 4. Connect the wires from driver to supply wires from J-box with wire connectors.



- 5** Step 5. Place the canopy over mounting plate and secure with 3x side screw.



- 6** Step 6. Spread the arms to desired location. The shade head could rotate clockwise gently to face down and face up.

