

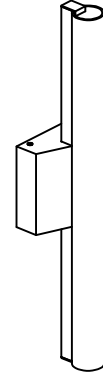


KALCO

Handcrafted Since 1980™

www.kalco.com

**Assembly & Installation Instructions for :
Item No. : 518321MB**



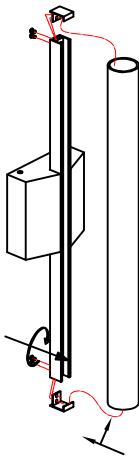
Customer Service : (800) 525-2655, customercare@kalco.com

WARNING - TO REDUCE THE RISK OF FIRE OR INJURY:

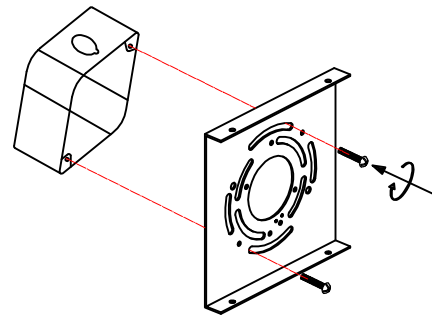
1. If you are unfamiliar with electrical wiring, call a qualified electrician to install this unit. More than one person may be necessary to install fixture, make sure you have enough qualified help.
2. Turn off the power to the fixture's circuit at the service panel. Use a voltage detector to verify that the power is off.
3. This fixture includes integrated LED and triac dimmable driver.

Fixture Assembly

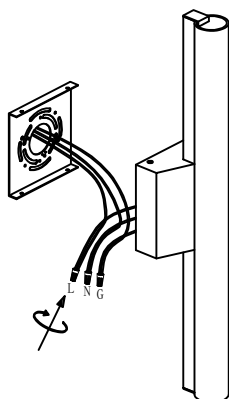
- 1** Step 1. Place one glass holder to one end of glass, then insert the holder into the end of channel and secure it with screws at the back. Secure the other glass holder to the channel at same way.



- 2** Step 2. Attach the mounting plate to J-box using 2x M4 screws.



- 3** Step 3. Connect the supply wires from J-box to input wires of driver with wire nuts.



- 4** Step 4. Place the fixture canopy over mounting plate and secure the screws on top and at bottom.

