

Customer Service: (702) 361-4345, (800) 525-2655, customer.services@kalco.com

WARNING - TO REDUCE THE RISK OF FIRE OR INJURY:

1. If you are unfamiliar with electrical wiring, call a qualified electrician to install this unit. More than one person may be necessary to install, make sure you have enough qualified help.
2. Turn off the power to the lamp's circuit at the service panel. Use a voltage detector to verify that the power is off.
3. DO NOT install bulb exceeding the maximum wattage specified on the socket label.

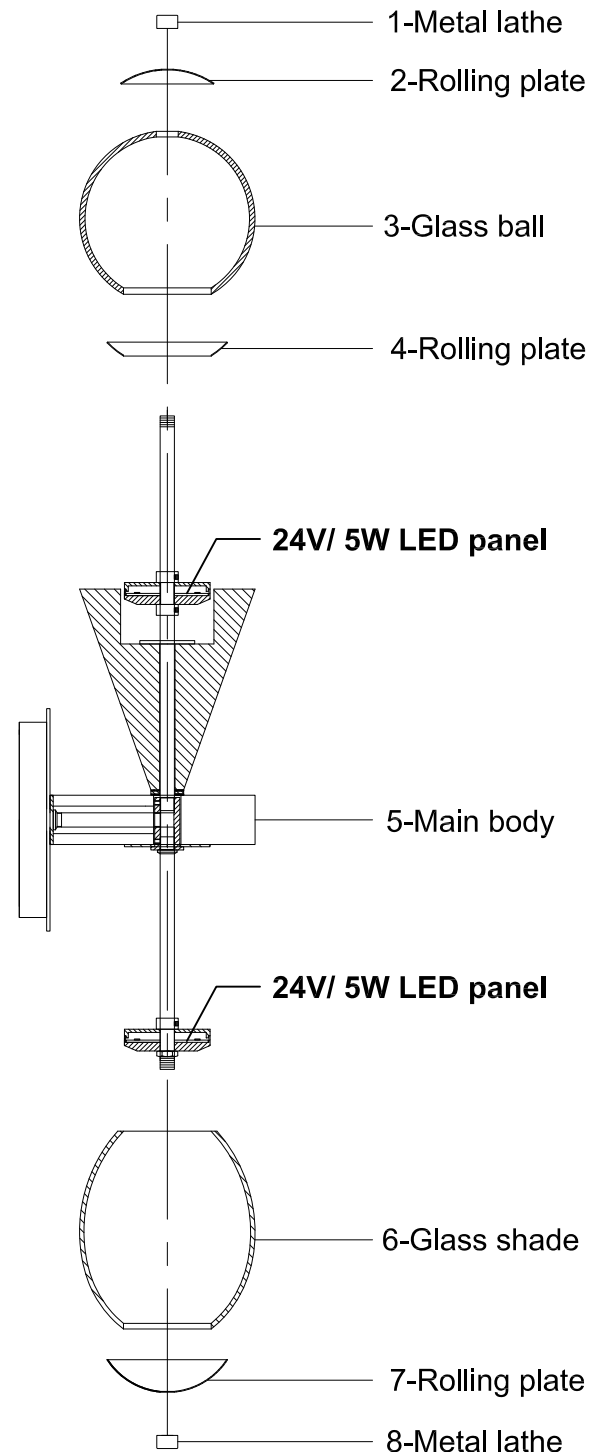
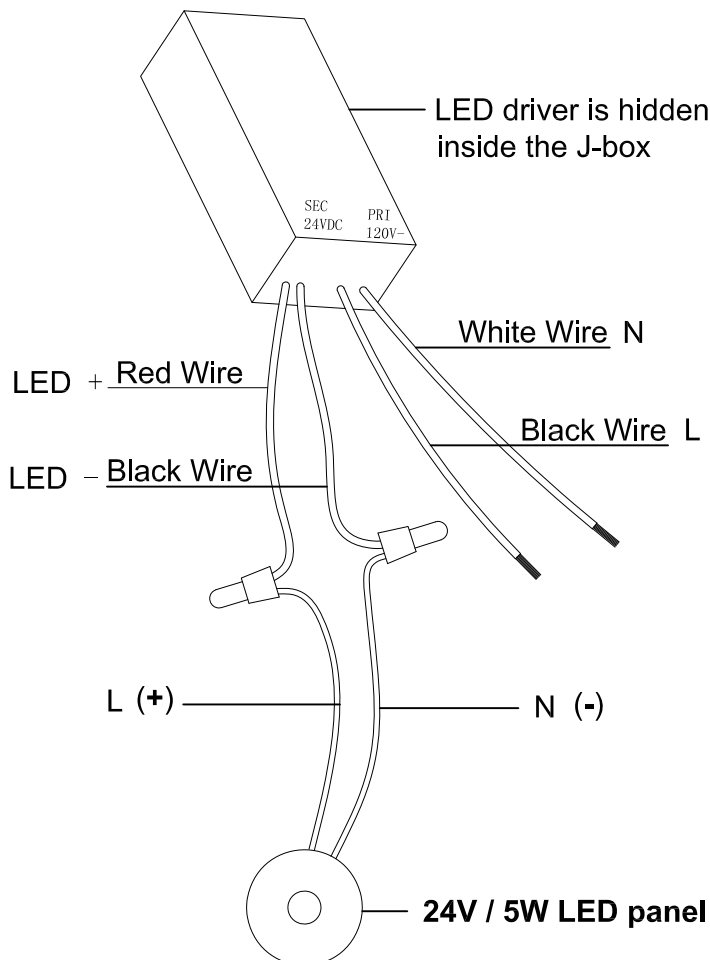
Fixture Assembly:

Step 1. Fix part #2, #3, #4 to part #5 by using part #1.

Step 2. Fix part #6, #7 to part #5 by using part #8.

Step 3. Install 24V/LED PANEL, do not use bulbs that exceeds 5W.

wiring diagram



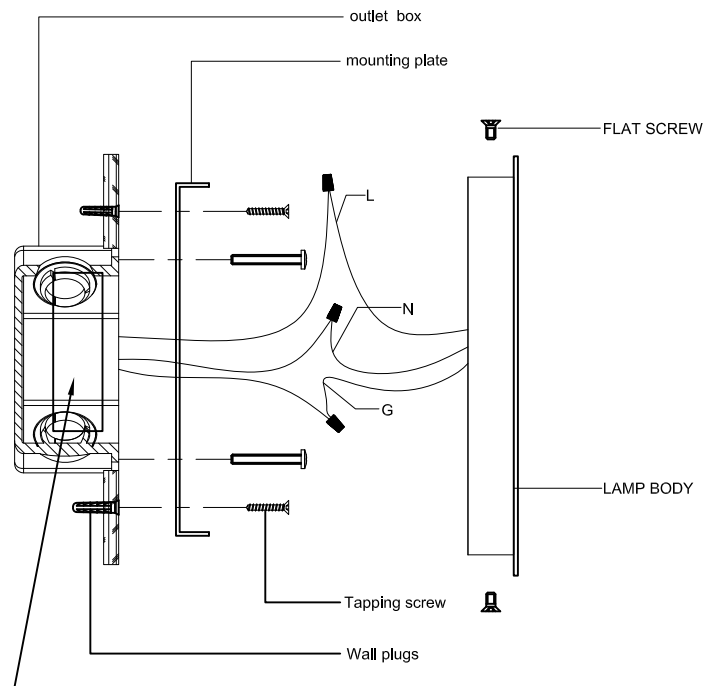
Customer Service: (702) 361-4345, (800)525-2655, customer.service@kalco.com

Step 4. Fasten 2 (state specification of screw) into mounting plate so that they extend away from wall when mounting plate is installed

Step 5. Attach the mounting plate to outlet box with screws

Step 6. Refer to wiring diagram. Splice the ribbed side of fixture cord to the white supply wire from outlet box with wire connector. Splice the smooth side of the fixture cord to black supply wire from outlet box with wire connector

Step 7. Carefully tuck in all wires Attach the backplate with the mounting screw on the crossbar. Secure fixture with shell knobs.



LED driver is hidden inside the J-box

wiring diagram

