

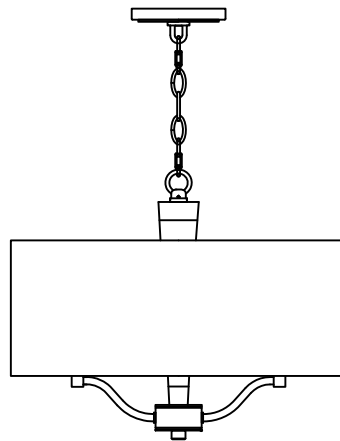
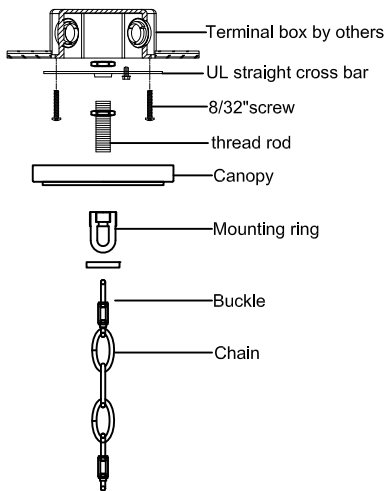
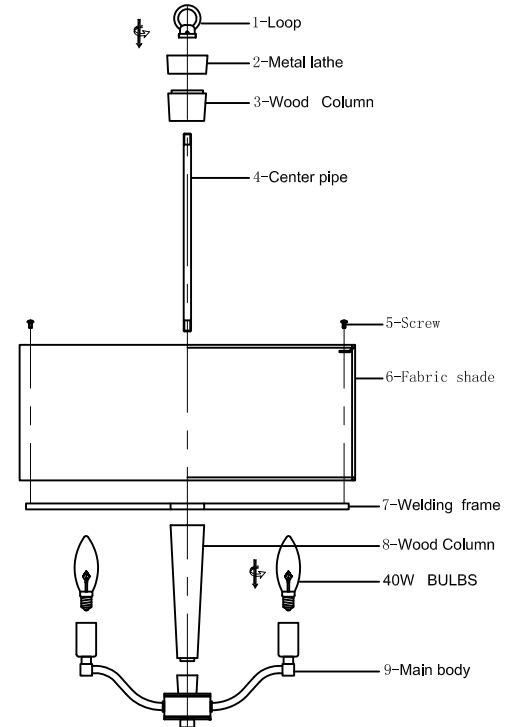


ASSEMBLY INSTRUCTIONS

518945BCG

Drum chandelier

- Step 1. Place mount mounting and wiring steps before glass installation step
- Step 2. Attach mounting plate to electrical box using 2 8-32 machine screws
At the same time, install safety to ceiling beam
- Step 3. Screw part #4 to part #9.
- Step 4. Put part #2,3,7,8 through part #4, Fixed with part #1.
- Step 5. Fix part #6 to part #7 by using part #5.
- Step 6. Fasten 2 (state specification of screw) into mounting plate so that they extend away from wall when mounting plate is installed
- Step 7. Attach the mounting plate to outlet box with screws
- Step 8. Refer to wiring diagram. Splice the ribbed side of fixture cord to the white supply wire from outlet box with wire connector. Splice the smooth side of the fixture cord to black supply wire from outlet box with wire connector
- Step 9. Carefully tuck in all wires Attach the back plate with the mounting screw on the crossbar. Secure fixture with shell knobs.
- Step 10. Install E12 bulbs, do not use bulbs that exceeds 40W.



WARNING - TO REDUCE THE RISK OF FIRE OR INJURY:

1. If you are unfamiliar with electrical wiring, call a qualified electrician to install this unit. More than one person may be necessary to install fixture. Make sure you have enough qualified help.
2. Turn off the power to the fixture's circuit at the service panel. Use a voltage detector to verify that the power is off.
3. DO NOT install bulb which exceeds the maximum wattage specified on the socket label.

Wiring diagram

