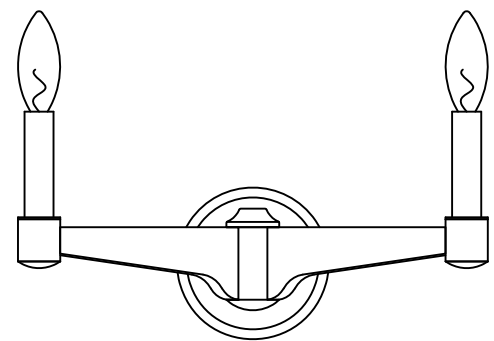
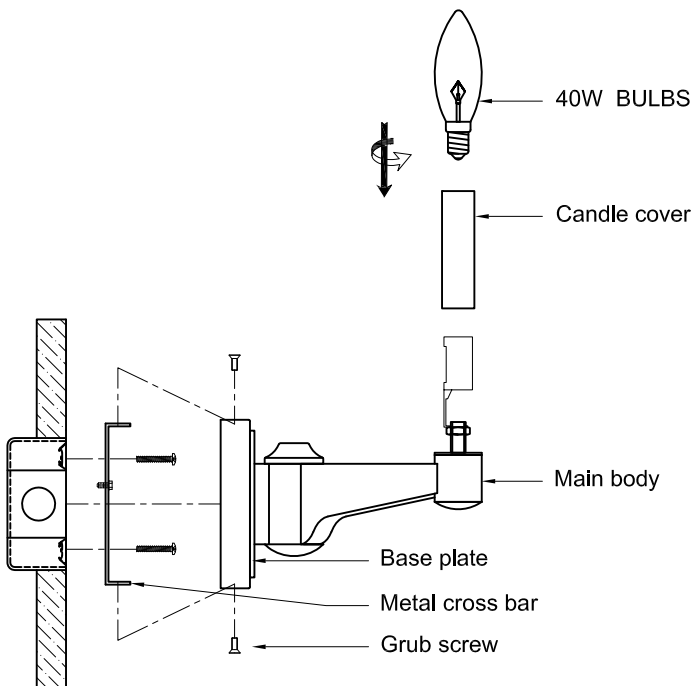


#### FIXTURE ASSEMBLY (FIG.2):

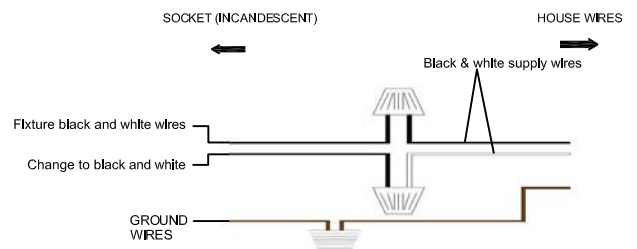
1. Fasten 2 (state specification of screw )into mounting plate so that they extend away from wall when mounting plate is installed
2. Attach the mounting plate to outlet box with screws
3. Refer to wiring diagram.Splice the ribbed side of fixture cord to the white supply wire from outlet box with wire connector. Splice the smooth side of the fixture cord to black supply wire from outlet box with wire connector
4. Carefully tuck in all wires Attach the backplate with the mounting screw on the crossbar.Secure fixture with shell knobs.
5. Install E12 bulbs,do not use bulbs that exceeds 40W.



(FRONT VIEW)



#### Wiring Diagram



#### WARNING:

1. If you are unfamiliar with electrical wiring,call a qualified electrician to install this unit. More than one person may be necessary to install this fixture,make sure you have enough qualified help.
2. Turn off the power to the fixture's circuit at the service panel. Use a voltage detector to verify that the power is off.
3. DO NOT install bulb exceeding the maximum wattage specified on the socket label.

