

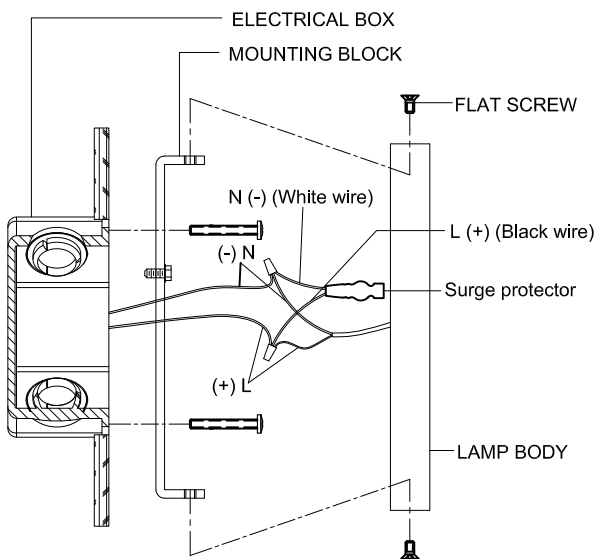
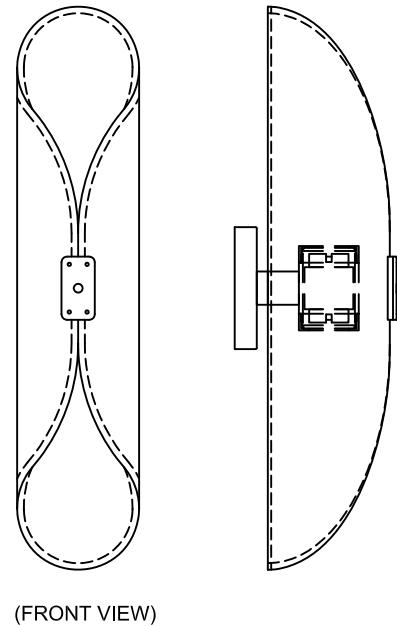
Customer Service: (702) 361-4345, (800) 525-2655, customer.services@kalco.com LED Convertible Wall Sconce

WARNING:

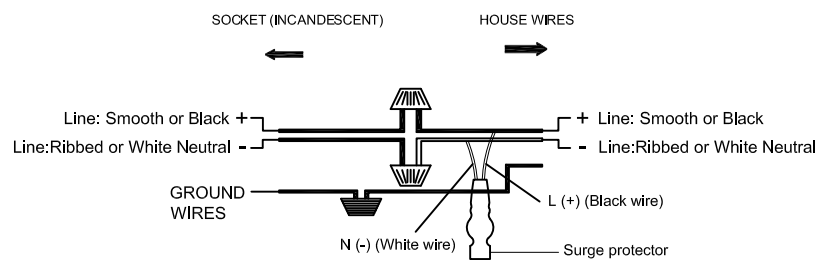
- 1.If you are unfamiliar with electrical wiring, call a qualified electrician to install this unit. More than one person may be necessary to install fixture, make sure you have enough qualified help.
- 2.Turn off the power to the fixture's circuit at the service panel. Use a voltage detector to verify that the power is off.
- 3.DO NOT install bulb which exceeds the maximum wattage specified on the socket label.
- 4.This product must be installed in accordance with the applicable installation code by a person familiar with the construction and operation of the product and the hazards involved.

FIXTURE ASSEMBLY :

1. Unpack fixture carefully, note fixture frame comes fully assembled .
2. Use 8-32 screw to fix crossbar on J-box.
3. Refer to wiring diagram. Splice the ribbed side of fixture cord to the white supply wire from outlet box with wire connector. Splice the smooth side of the fixture cord to black supply wire from outlet box with wire connector.
4. Carefully tuck in all wires Attach the back plate with the mounting screw on the crossbar. Secure fixture with shell knobs.
5. Use 3 screws to fix back plate on crossbar. .
6. Install LED bulbs, do not use bulbs that exceeds 4W.



Wiring Diagram



Note: It is recommended that each surge protector be connected to a maximum of 6 LED boards!

SPD Installation

