

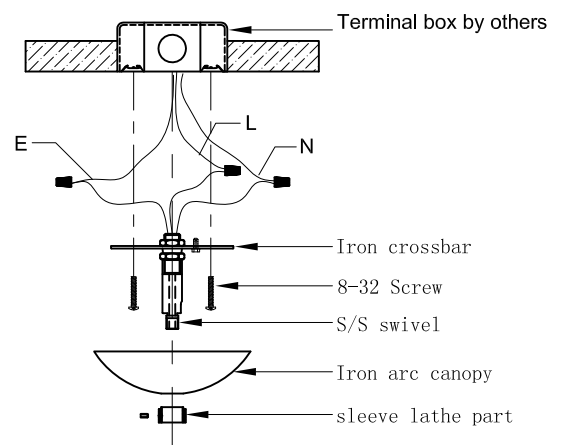
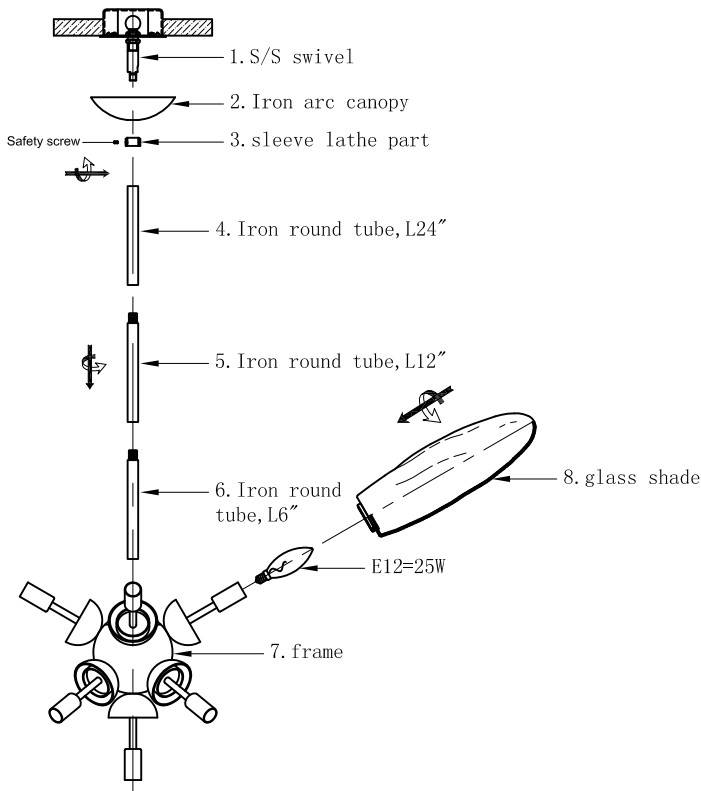
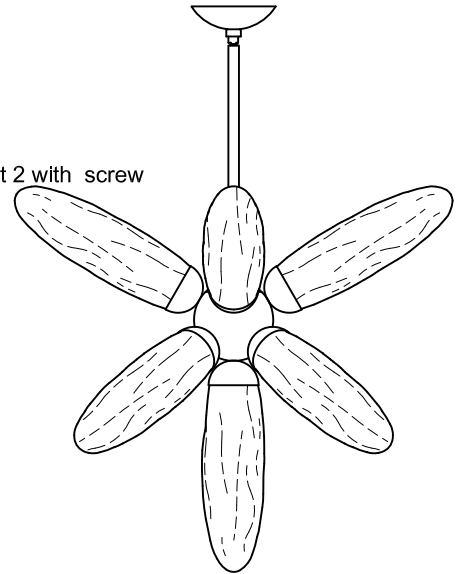
If you have any questions or problems assembling your fixture please call us for assistance. Customer Service:(702)361-4345 or (800)525-2655, customer.services@kalco.com

WARNING:

1. This fixture must be installed by qualified electrician and contractors understanding ceiling hanging points, structure and strength to meet building code.
2. Turn off the power to the fixture's circuit at the service panel. Use a voltage detector to verify that the power is off.
3. Have electrician install fixture to properly anchor canopies that support the alabaster.

FIXTURE ASSEMBLY :

1. Turn off electricity, take all parts from part box.
2. Fasten two 8-32 screws to mounting plate so that they extend away from the wall when mounting plate is installed.
3. Connect the main wire with the power supply circuit. See wire connection diagram.
4. Move part 2 up, through Part 1 against the ceiling, and use part 3 through part 1, fix part 2 with screw on the side.
5. Use part 4, 5, 6 to connect part 1 & part 7;
6. Twist bulb into socket, install candelabra, do not use bulbs that exceeds 25W bulbs.
7. Twist part 8 on part 7.



Wiring Diagram

