

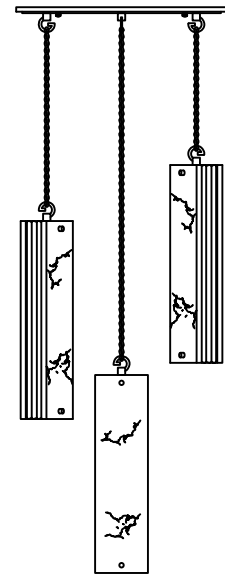
If you have any questions or problems assembling your fixture please call us for assistance. Customer Service:(702)361-4345 or (800)525-2655, customer.services@kalco.com

**WARNING:**

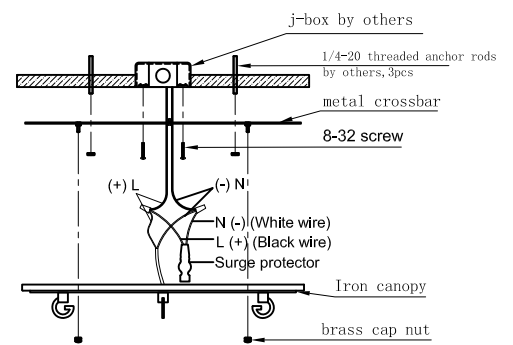
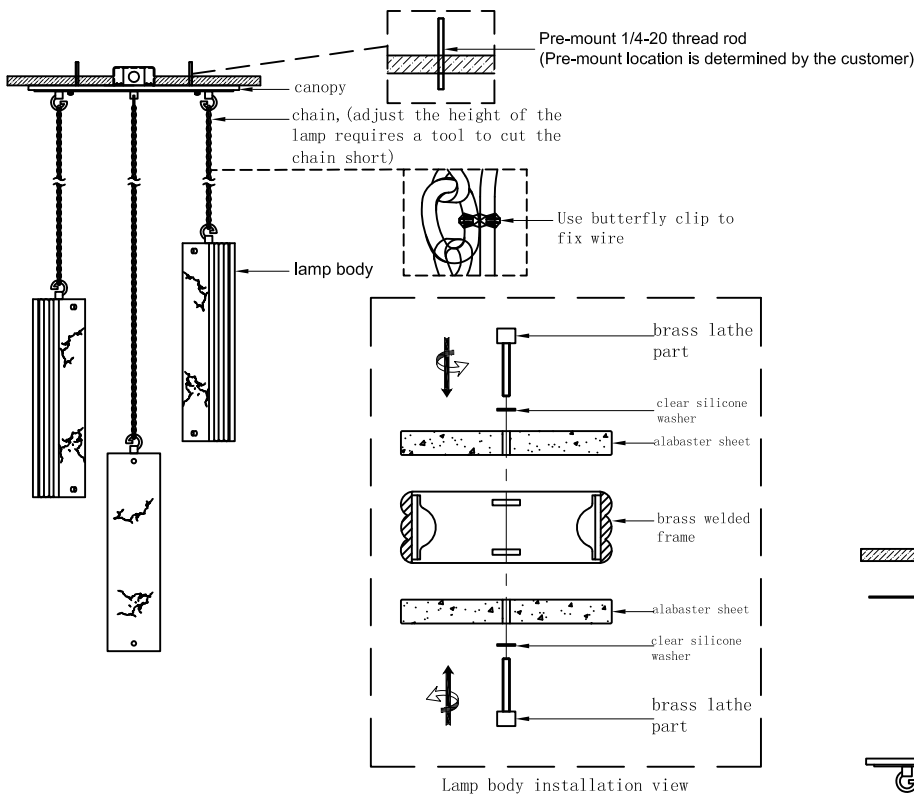
1. This fixture must be installed by qualified electrician and contractors understanding ceiling hanging points, structure and strength to meet building code.
2. Turn off the power to the fixture's circuit at the service panel. Use a voltage detector to verify that the power is off.
3. Have electrician install fixture to properly anchor canopies that support the alabaster.

**FIXTURE ASSEMBLY :**

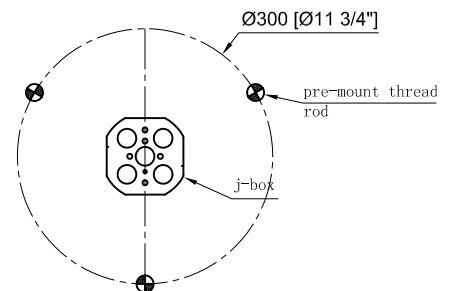
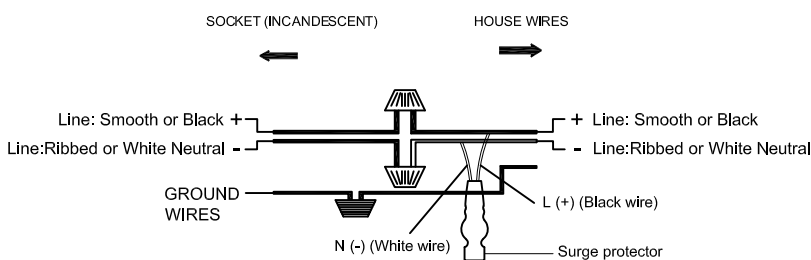
1. Prepare 5pcs 1/4-20 thread rod on ceiling that will hold the total fixture weight.
2. Crossbar gets through 1/4-20 UL thread rod fixed on ceiling.
3. Refer to wiring diagram. Splice the ribbed side of fixture cord to the white supply wire from outlet box with wire connector. Splice the smooth side of the fixture cord to black supply wire from outlet box with wire connector.
4. Carefully tuck in all wires. Attach the back plate with the mounting screw on the crossbar. Secure fixture with shell knobs.
5. Connect lamp body with hook on canopy by chain.



(FRONT VIEW)



**Wiring Diagram**



Note: It is recommended that each surge protector be connected to a maximum of 6 LED boards!

## SPD Installation

