

ASSEMBLY INSTRUCTIONS

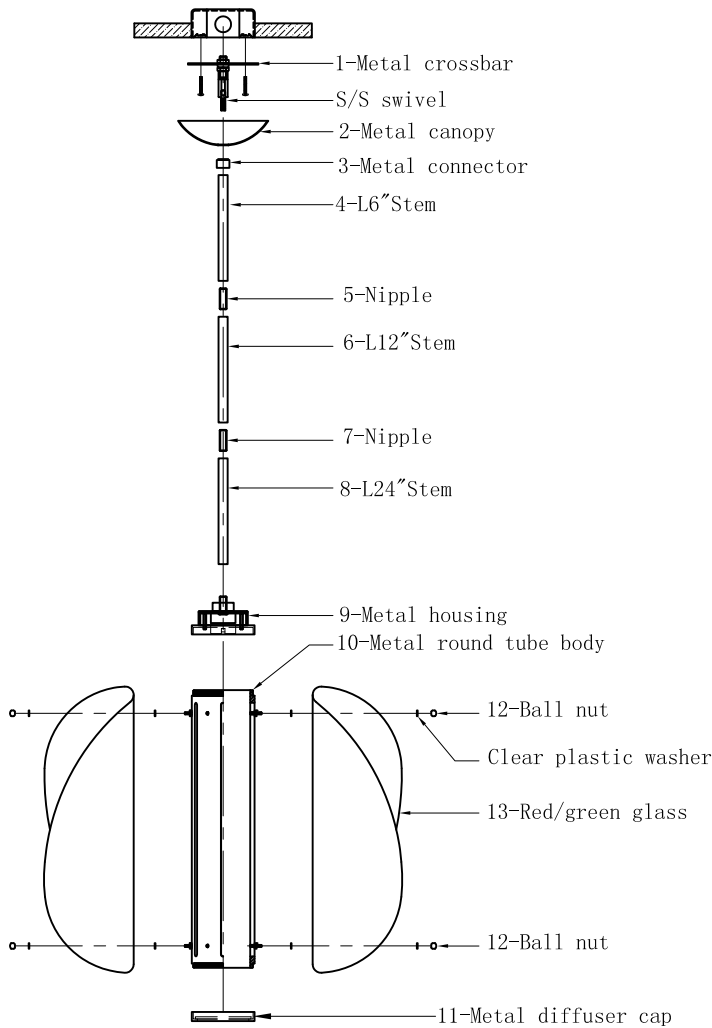
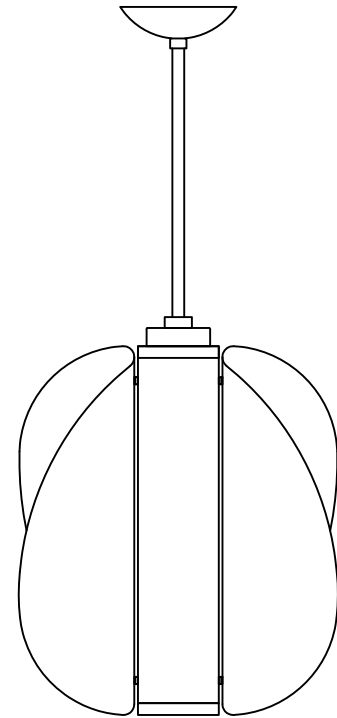
521055WB Pendant

If you have any questions or problems assembling your fixture please call us for assistance. Customer Service:(702)361-4345 or (800)525-2655, customer.services@kalco.com

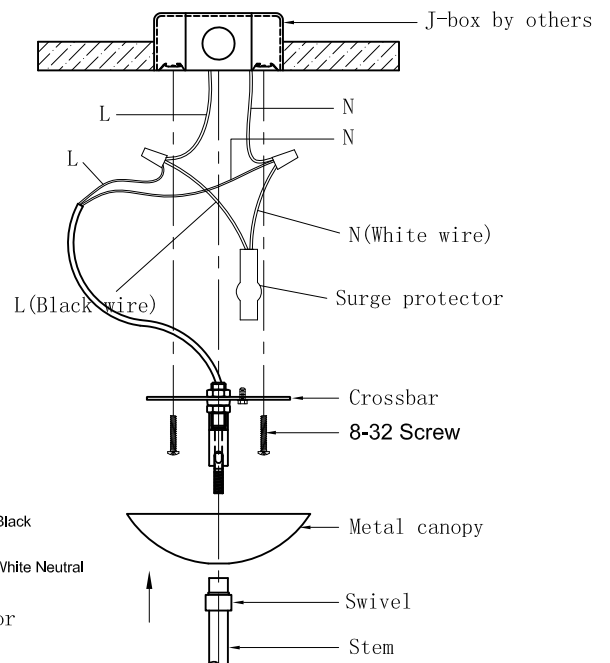
WARNING:

1. If you are unfamiliar with electrical wiring, call a qualified electrician to install this. More than one person may be necessary to install this fixture, make sure you have enough qualified help.
2. Turn off the power to the fixture's circuit at the service panel. Use a voltage detector to verify that the power is off.

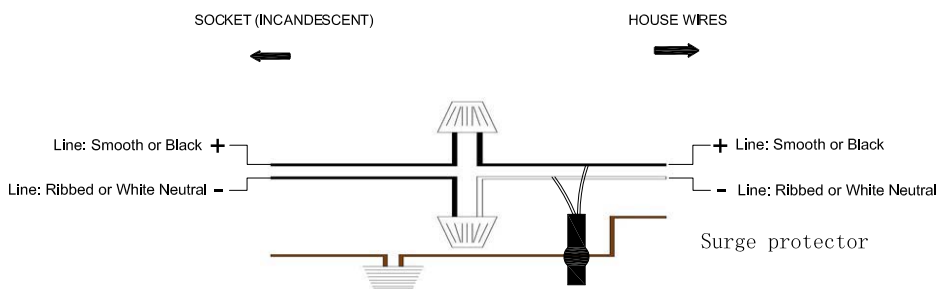
- Step 1. Finish mounting and wiring steps before glass installation step.
- Step 2. Attach mounting plate to electrical box using 2 8-32 machine screws.
At the same time, install safety screw to ceiling beam
- Step 3. Put part #4 through part #3 to fix on part #1; Use part #3 to fix part #2.
- Step 4. Connect part #4 and part #6 by part #5; Connect part #6 and part #8 by part #7.
- Step 5. Thread part #8 to part #9.
- Step 6. Thread part #9 and #11 to part #10.
- Step 7. Use part #12 to fix part #13 on part #10.



Mounting Diagram



Wiring Diagram



Note: It is recommended that each surge protector be connected to a maximum of 6 LED boards!

SPD Installation

