

THIS PRODUCT MUST BE INSTALLED IN ACCORDANCE WITH THE APPLICABLE INSTALLATION CODE BY A PERSON FAMILIAR WITH THE CONSTRUCTION AND OPERATION OF THE PRODUCT AND THE HAZARDS INVOLVED

521355VGB
Chandelier

If you have any questions or problems assembling your fixture please call us for assistance. Customer Service:(702)361-4345 or (800)525-2655, customer.services@kalco.com

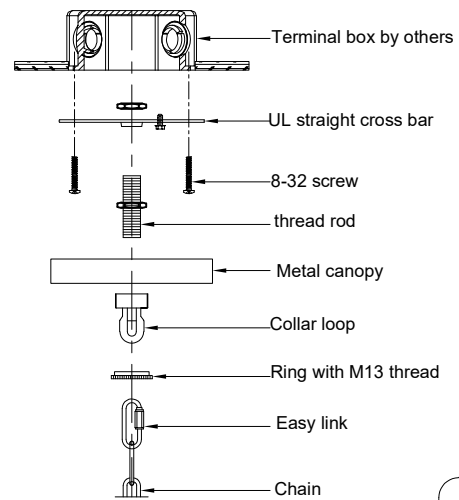
WARNING:

- 1.This product must be installed in accordance with the applicable installation code by a person familiar with the construction and operation of the product and the hazards involved.
- 2.Turn off the power to the fixture's circuit at the service panel. Use a voltage detector to verify that the power is off.
- 3.Have electrician install fixture to properly anchor canopies that support the alabaster.
- 4.DO NOT install bulb which exceeds the maximum wattage specified on the socket label.

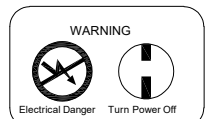
INSTALL CANOPY AS FOLLOWS (FIG. 1):

CAUTION: Be sure power is off at the main breaker box prior to installation.

1. Attach mounting plate to electrical box using 2 8-32 machine screws
At the same time,install safety to ceiling beam
2. Screw thread rod to mounting block, and lock tightly by safety screw.
3. Connect the main wire to the power supply circuit - please see the wiring diagram below.
4. Install collar loop on crossbar thread rod;
5. Move canopy to ceiling and fix with collar loop outer ring;
6. Determine the fixture height and cut the chain.
Use the Easy link to connect collar loop with chain.
Connect the other end of chain to the Iron Housing (part#1).



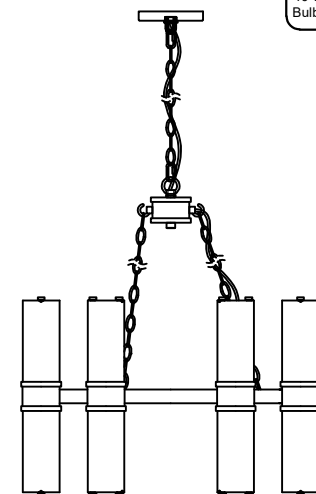
(FIG. 1)



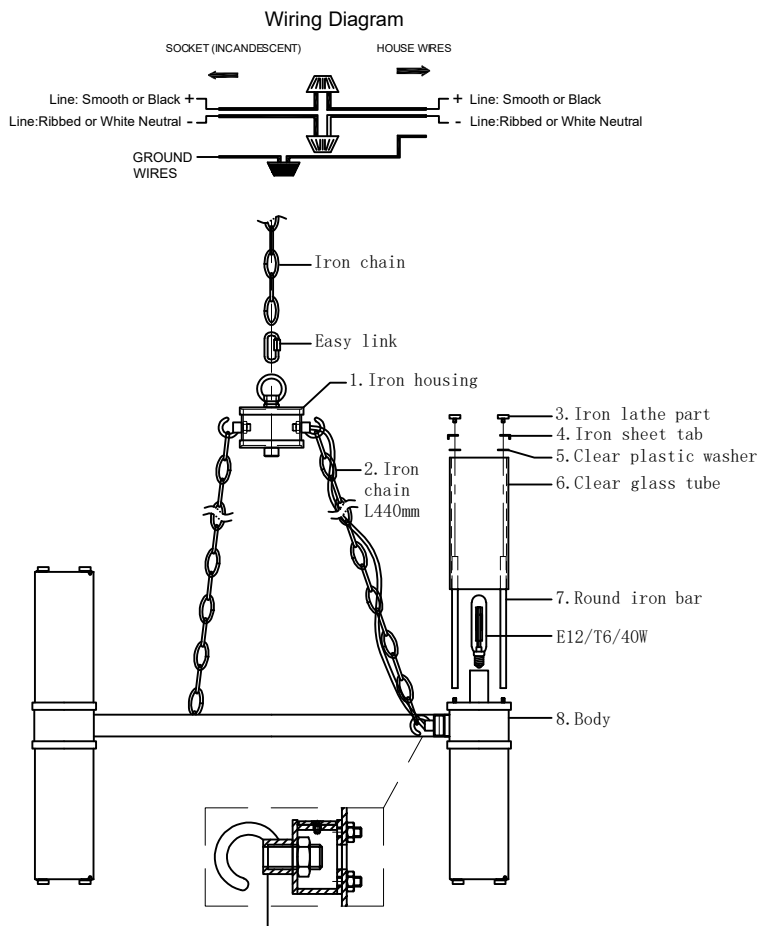
All electrical components must be installed by a licensed electrician in accordance with the National Electric code and the appropriate local electrical codes.



You will need 12 - Cand.Bulbs
40 Watts Recommended
40 Watts Max
Bulb not included



(FRONT VIEW)



(Note:Perforated hook corresponds to perforated hook on housing)

(FIG. 2)

INSTALLATION(FIG. 2):

- a. Turn off electricity, take all parts from part box.
- b. Connect the main wire with the power supply circuit.
See wire connection diagram.
- c. Use part#2 to connect part#1 with part#8;
- d.Install E12 bulb on part#8;
- e.Twist part#7 on part#8.
- f.Use part#3 to fix part#4.5.6 on part#8 in sequence.