



KALCO
Handcrafted Since 1980

ASSEMBLY & INSTALLATION INSTRUCTIONS

MODEL: 521555PWB

I M A G E

If you have any questions or problems assembling your fixture please call us for assistance.

Customer Service: (702) 361-4345 or (800) 525-2655
customer.service@kalco.com

WARNING! TO REDUCE THE RISK OF FIRE OR INJURY PLEASE TAKE PRECAUTION AND FOLLOW THE STEPS BELOW.

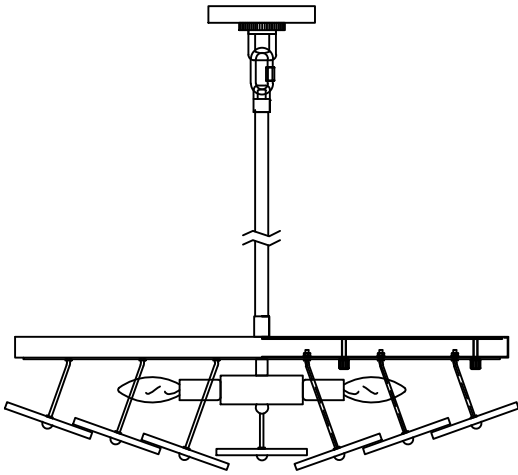
1. If you are unfamiliar with electrical wiring, call a qualified electrician to install this unit. More than one person may be necessary to install fixture, make sure you have enough qualified help.
2. Turn off the power to the fixture's circuit at the service panel.
3. Use a voltage detector to verify that the power is off.
4. DO NOT install bulb which exceeds the maximum wattage specified on the socket label.

Si vous avez des questions ou des problèmes assemblage de votre dispositifs'il vous plait appel pour l'assistance.

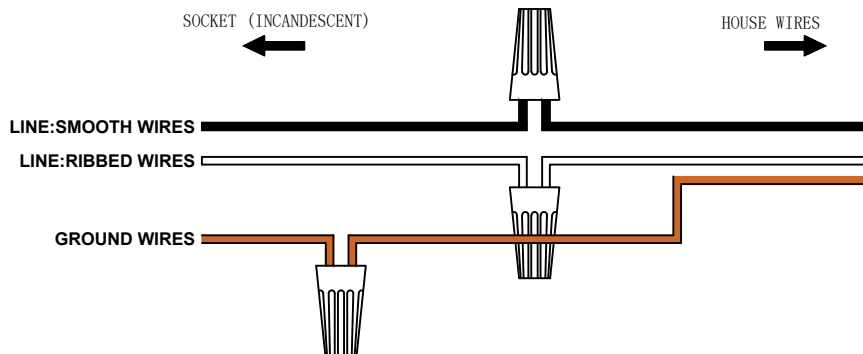
Customer Service: (702) 361-4345 or (800) 525-2655
customer.service@kalco.com

AVERTISSEMENT! POUR RÉDUIRE LES RISQUES D'INCENDIE OU DE BLESSURES S'IL VOUS PLAÎT PRENDRE DES PRÉCAUTIONS ET SUIVEZ LES ÉTAPES CI-DESSOUS.

1. Si vous n'êtes pas familier avec le câblage électrique, appelez un électricien qualifié pour installer cet appareil. Plus d'une personne peut être nécessaire d'installer appareil, assurez vous que vous disposez de l'aide assez qualifié.
2. Coupez l'alimentation au circuit de l'appareil sur le tableau de service. Utilisez un détecteur de tension pour vérifier que l'alimentation est coupée.
3. NE PAS installer l'ampoule qui excède la puissance maximale indiquée sur l'étiquette du socket.



WIRING DIAGRAM





KALCO.
Handcrafted Since 1980

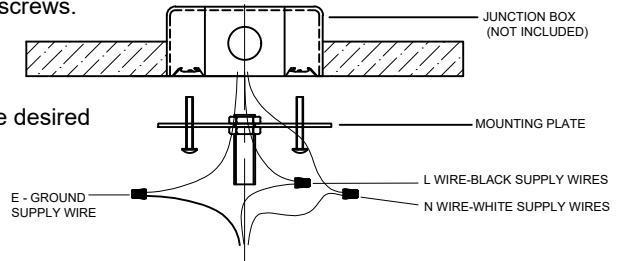
ASSEMBLY & INSTALLATION INSTRUCTIONS

MODEL: 521555PWB

MOUNTING INSTRUCTIONS

STEP 1: Attach mounting plate to outlet box with the (2) 8/32"x 3/4" screws.

STEP 2: Attach the stem to the lamp body and adjust the stem to the desired height



ELECTRICAL / COMPONENTS ASSEMBLY

STEP 3: Lock the stem to the main fixture through screws. (see accessories bag)

STEP 4: Lock the stem to the canopy

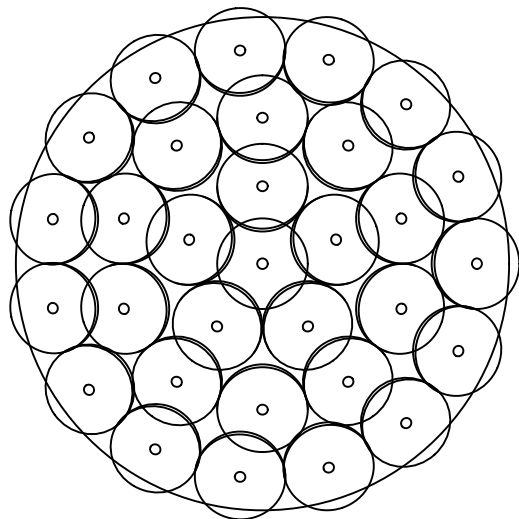
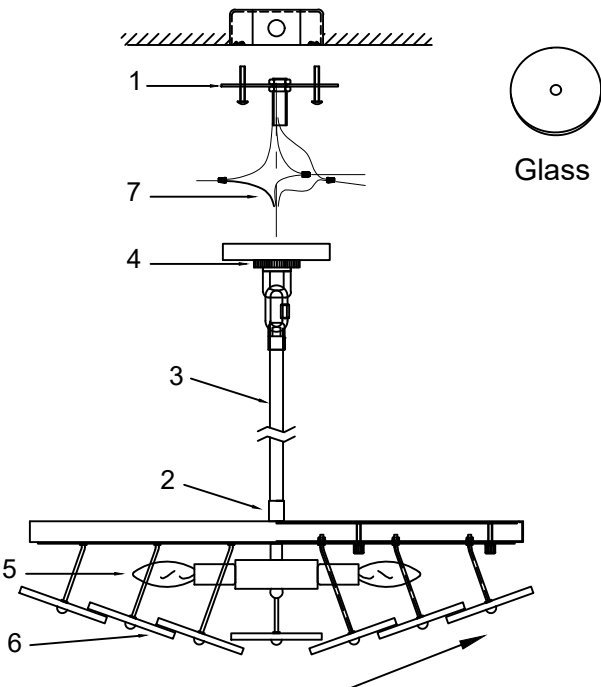
STEP 5: Install the E12 bulbs, don not use bulbs that exceed 40W

STEP 6: Lock the glass from the center out to the main fixture through screws.(see accessories bag)

STEP 7: Lock the main fixture to the canopy
And add the ground wires

STEP 8: Refer to wiring diagram. With wire carefully threaded through canopy, connect the black supply wire to the smooth fixture wire with wire connector, connect the white supply wire to the ribbed fixture wire with wire connector. Connect ground wire from fixture with supply ground wire.

STEP 9: Lock the hanging plate screws



LIGHTING MAINTENANCE:

- Regular cleaning of fixture with proper and gentle care using a soft duster, soft lint-free or damp cloth is recommended.
- Refrain from using harsh liquids that may cause chemical reaction on the hand painted finishes.
- Always refer to the Assembly Instruction before removing any components.
- **HANDLE WITH CARE.**

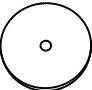



ASSEMBLY & INSTALLATION INSTRUCTIONS

MODEL: 521555PWB

KALCO
Handcrafted Since 1980

PARTS LIST

IMAGE	PARTS NAME	QTY
	φ110x8mm Glass	31pcs
	L6"+ L12"+L24"Metal Stem	1 set

