

WARNING - TO REDUCE THE RISK OF FIRE OR INJURY:

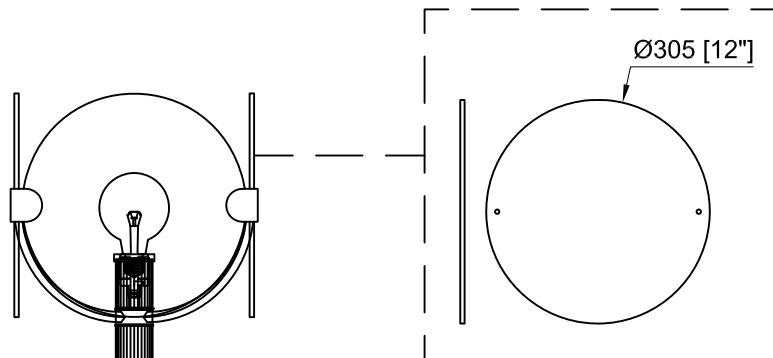
1. DO NOT install bulb which exceeds the maximum wattage specified on the socket label.

Fixture Assembly

Step 1. Fix part 2 on part 3 by part 1. The contact surface between glass and metal needs to have added silicone washer.

Step 2. Install E26 bulbs, do not use bulbs that exceeds 60W.

Step 3. Slide the dimmer to proper brightness.



colorful tempered glass sheet
XG*2pcs
X0*2pcs

