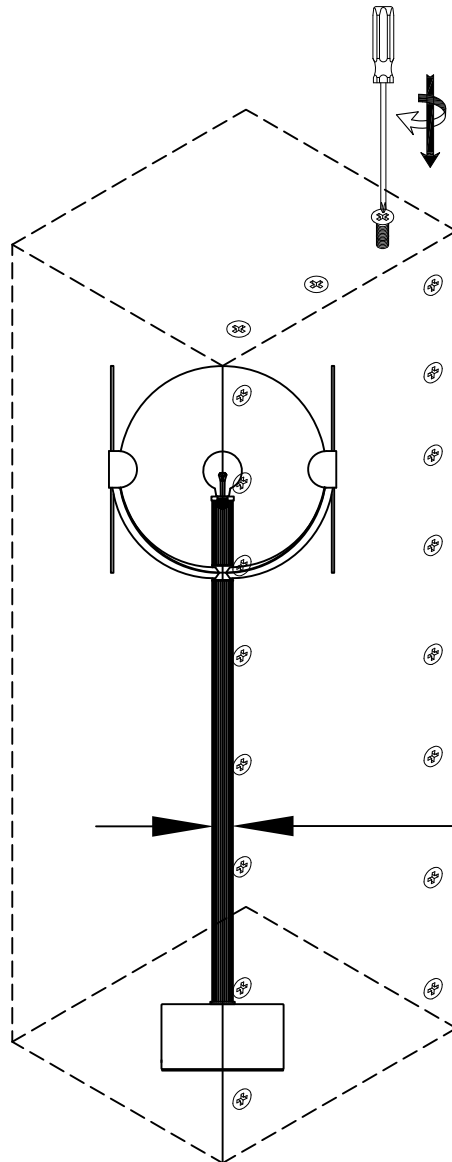


WARNING - TO REDUCE THE RISK OF FIRE OR INJURY:

1. More than one person may be necessary to install, make sure you have enough qualified help.
2. DO not install bulb which exceeds the maximum wattage specified on the socket label.

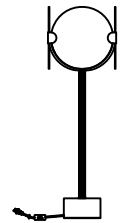
Unpacking instruction

1. Lay the crate flat and make sure the side door which is labeled "Remove this door" is facing up.
2. Open the top door which is labeled "Remove this door".
3. Open the side door which is labeled "Remove this door".
4. Stand up the crate, then remove two more side doors;
5. Hold & lift the fixture where it is labeled "Where to hold & lift" (more than one person is required) to the place where it will be installed.



Warning

Where to hold & lift
more than one person is
required



WARNING - TO REDUCE THE RISK OF FIRE OR INJURY:

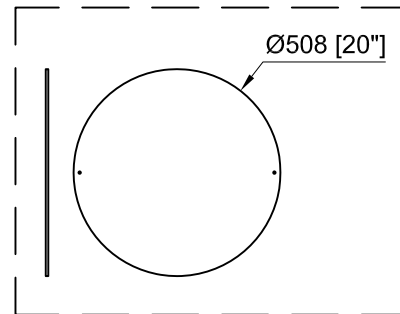
1. More than one person may be necessary to install, make sure you have enough qualified help.
2. DO not install bulb which exceeds the maximum wattage specified on the socket label.

Fixture Assembly

Step 1. Fix part#2 on part#3 by part#1. The contact surface between glass and metal needs to add silicone washer.

Step 2. Install E26 bulbs, do not use bulbs that exceeds 60W.

Step 3. Slide the dimmer to proper brightness.



dichroic tempered glass sheet
XG*2pcs, X0*2pcs

