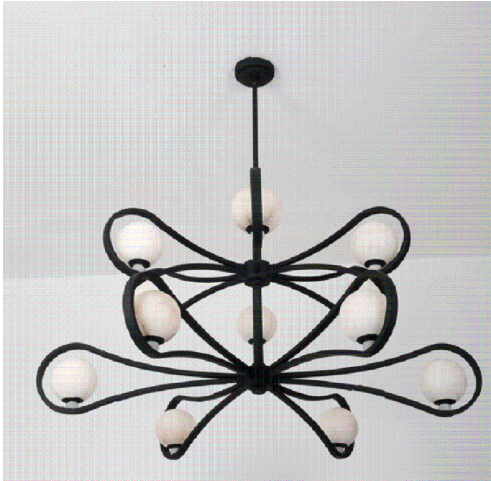




ASSEMBLY & INSTALLATION INSTRUCTIONS

MODEL: 521857MB
ELLIPTICAL 48" 2 TIER PENDANT

I M A G E



If you have any questions or problems assembling your fixture please call us for assistance.

Customer Service: (702) 361-4345 or (800) 525-2655

customer.services@kalco.com

WARNING! TO REDUCE THE RISK OF FIRE OR INJURY PLEASE TAKE PRECAUTION AND FOLLOW THE STEPS BELOW.

1. If you are unfamiliar with electrical wiring, call a qualified electrician to install this unit. More than one person may be necessary to install fixture, make sure you have enough qualified help.
2. Turn off the power to the fixture's circuit at the service panel. Use a voltage detector to verify that the power is off.
3. DO NOT install bulb which exceeds the maximum wattage specified on the socket label.

Si vous avez des questions ou des problèmes assemblage de votre dispositif s'il vous plait appel pour l'assistance.

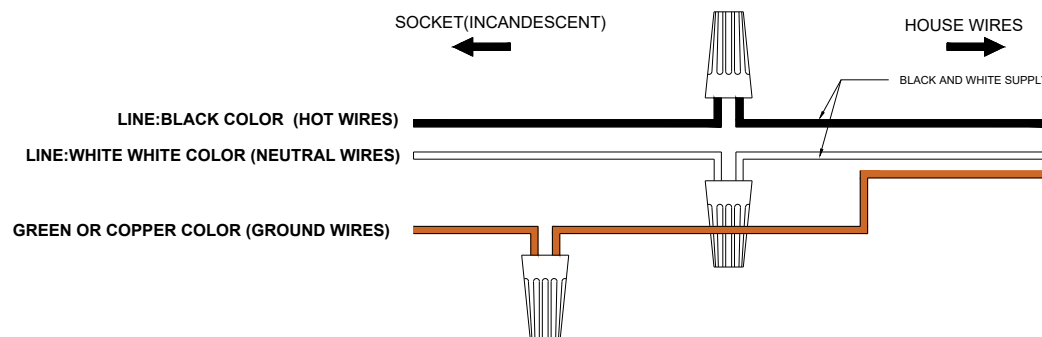
Customer Service: (702) 361-4345 or (800) 525-2655

customer.services@kalco.com

AVERTISSEMENT! POUR RÉDUIRE LES RISQUES D'INCENDIE OU DE BLESSURES S'IL VOUS PLAÎT PRENDRE DES PRÉCAUTIONS ET SUIVEZ LES ÉTAPES CI-DESSOUS.

1. Si vous n'êtes pas familier avec le câblage électrique, appelez un électricien qualifié pour installer cet appareil. Plus d'une personne peut être nécessaire d'installer appareil, assurez vous que vous disposez de l'aide assez qualifié.
2. Coupez l'alimentation au circuit de l'appareil sur le tableau de service. Utiliser un détecteur de tension pour vérifier que l'alimentation est coupée
3. NE PAS installer l'ampoule qui excède la puissance maximale indiquée sur l'étiquette du socket.

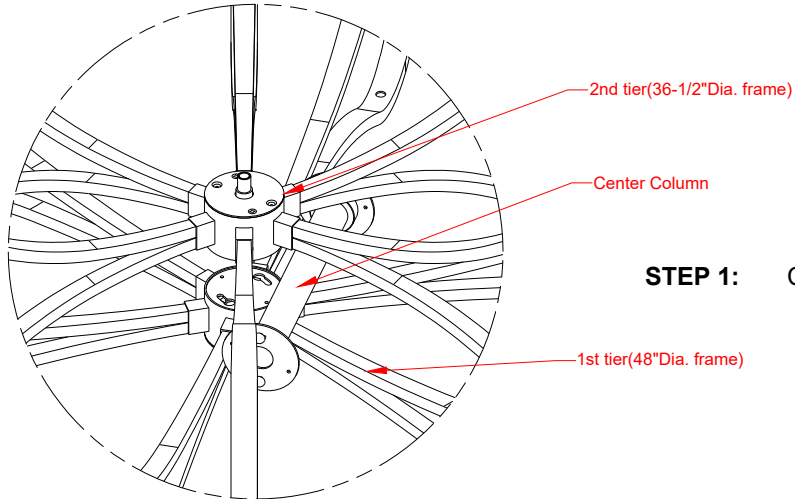
WIRING DIAGRAM



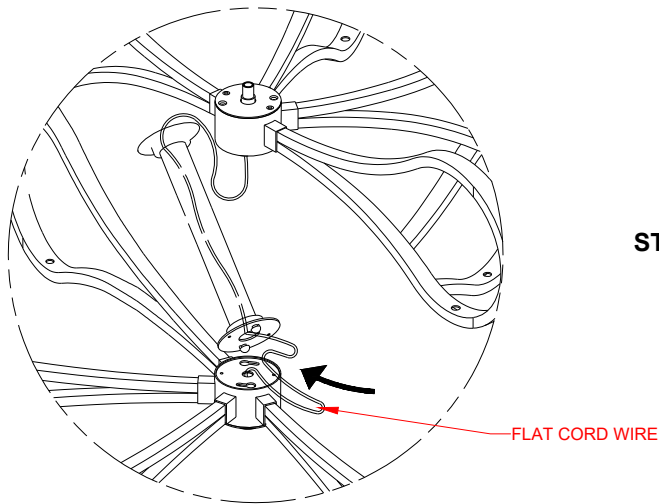
ASSEMBLY & INSTALLATION INSTRUCTIONS

MODEL: 521857MB
ELLIPTICAL 48" 2 TIER PENDANT

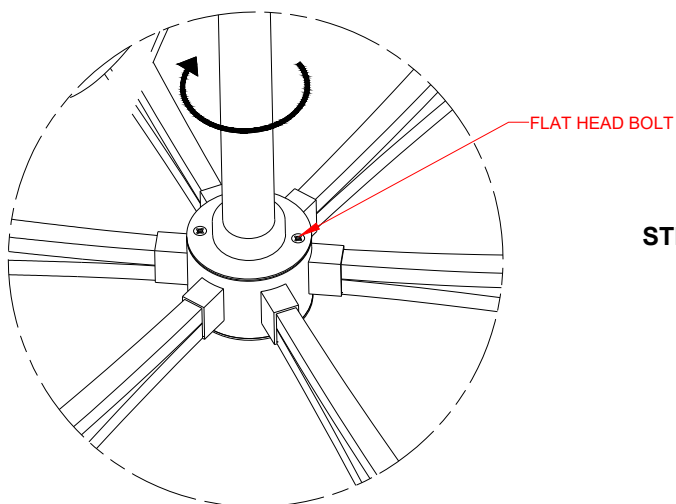
KNOCK DOWN ASSEMBLY



STEP 1: Carefully lift up the 2nd tier (36-1/2" dia frame)



STEP 2: Fold the exposed wire into two(2), carefully insert wire (bottom part) on the center column tubing.



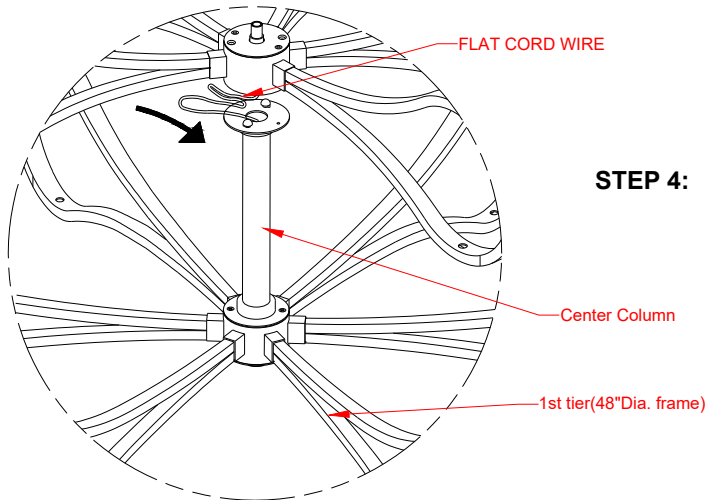
STEP 3: Align the center column into the slot of the 1st Tier (48" dia. frame), twist to align and secure lock with flathead bolt(2pcs).

NOTE: Make sure the exposed wire is inserted inside of the center column.

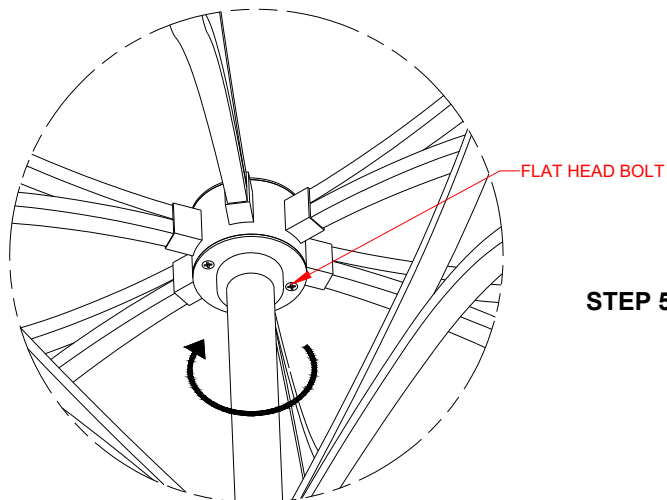
ASSEMBLY & INSTALLATION INSTRUCTIONS

MODEL: 521857MB
ELLIPTICAL 48" 2 TIER PENDANT

KNOCK DOWN ASSEMBLY



STEP 4: Fold the exposed wire into two(2), carefully insert wire (top part) on the center column tubing.



STEP 5: Align the 2nd Tier(36.5" Dia. Frame) into the center Column, twist to align and secure lock with flathead bolt(2pcs).

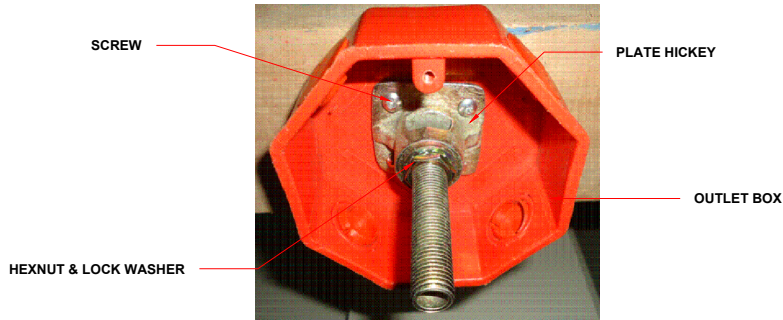
NOTE: Make sure the exposed wire is inserted inside of the center column.

ASSEMBLY & INSTALLATION INSTRUCTIONS

MODEL: 521857MB
ELLIPTICAL 48" 2 TIER PENDANT

CEILING BRACE OPTIONS

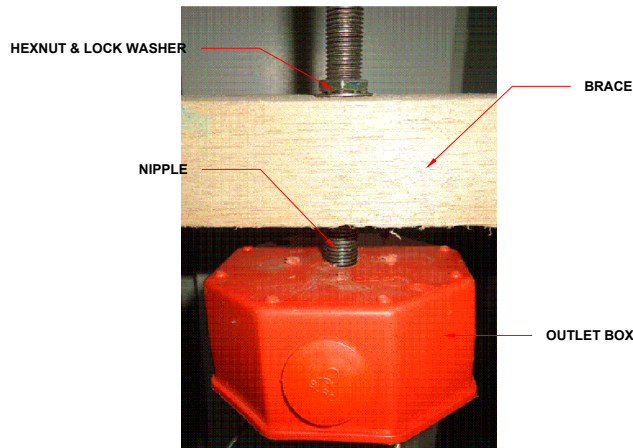
" METHOD A "



Brace is directly on top of the outlet box and not accessible).

Using a 1/8" drill bit, pre-drill (4) holes into the wood brace through the (4) hole pattern in the outlet box. (Outlet box is shown as a cutaway for Clarity). Secure the hickey to the brace with (4) #8 x 1-1/2" screws(provided by other). The wire way opening should mount as shown, between the outlet box and 2 mounting flanges.

" METHOD B "



(Brace is above and not in contact with the outlet box and is accessible)

Remove center knockout from outlet box. In line with the center knockout, drill a 9/16" hole in the brace. (Brace should be fastened to the ceiling joist after pipe is installed). Assemble hickey to one end of a 1/4 pipe nipple. The pipe should be flush with inside of the hickey wire way. Insert pipe through back of outlet box and through the brace above. Secure pipe with a 1/4 pipe nut.

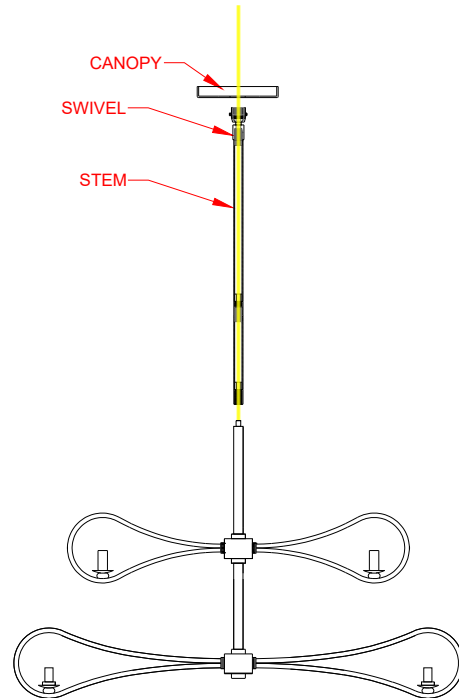
ASSEMBLY & INSTALLATION INSTRUCTIONS

MODEL: 521857MB
ELLIPTICAL 48" 2 TIER PENDANT

KNOCK DOWN ASSEMBLY

STEP 6: Carefully insert the wire through the first stem and attach the stem to the main frame as shown.

STEP 7: Determine the overall fixture height and adjust the stems accordingly. Attach the swivel at the top end of the stem, tighten the ring and affix the canopy.

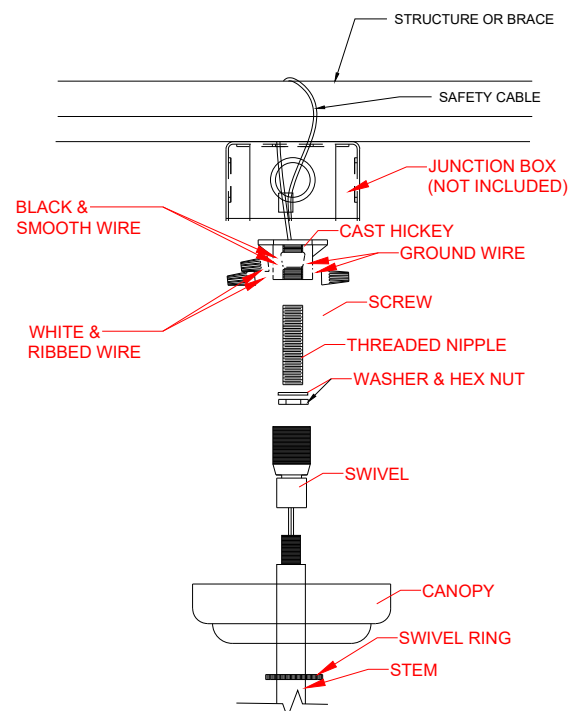


ELECTRICAL / MOUNTING INSTALLATION

⚠ WARNING

REFER TO THE ILLUSTRATION FOR CORRECT AND SAFE INSTALLATION OF SAFETY CABLE. FAILURE TO FOLLOW THIS INSTRUCTION COULD RESULT HARM/DAMAGE TO THE FIXTURE, PROPERTY AND/OR PERSON(S)

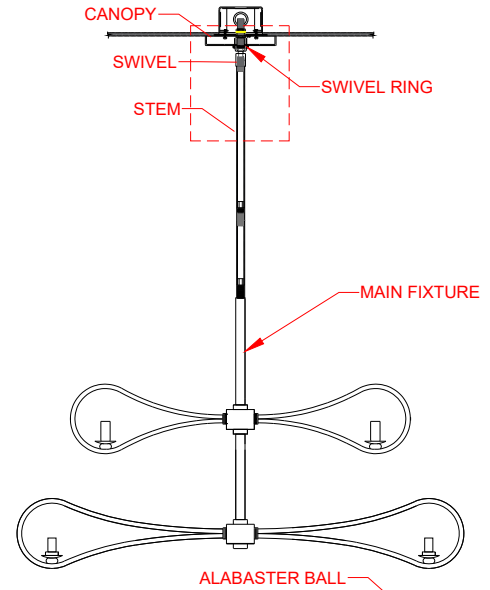
- STEP 8:** Assemble nipple and collar loop to cast hickey.
- STEP 9:** Determine fixture height. Make adjustment if needed.
- STEP 10:** Pass the swivel ring and canopy, over the stem.
- STEP 11:** Carefully pass through the wire to the center stems and swivel, then out on the openings of the cast hickey.
- STEP 12:** Refer to wiring diagram. With wire carefully threaded through canopy, connect the black supply wire to the smooth fixture wire with wire connector, connect the white supply wire to the ribbed fixture wire with wire connector. Connect ground wire from fixture with supply ground wire.
- STEP 13:** Carefully tuck in all wires and raise the canopy to the outlet box.
- STEP 14:** Secure canopy with swivel ring.



ASSEMBLY & INSTALLATION INSTRUCTIONS

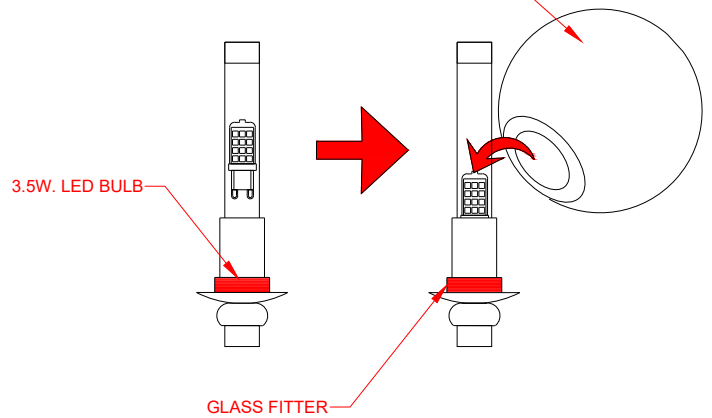
MODEL: 521857MB
ELLIPTICAL 48" 2 TIER PENDANT

ELECTRICAL / MOUNTING INSTALLATION



STEP 15: Insert bulbs. Do not put bulb that exceeds 3.5watts.

STEP 16: Carefully insert the alabaster ball to the glass fitter and tight it by turning the alabaster ball.



FOR LIGHTING MAINTENANCE:

- Regular cleaning of fixture with proper and gentle care using a soft duster, soft lint-free or damp cloth is recommended.
- Refrain from using harsh cleaning liquids that may cause chemical reaction on the hand painted finishes.
- Always refer to the Assembly Instruction before removing any components.
- HANDLE WITH CARE.

ASSEMBLY & INSTALLATION INSTRUCTIONS

MODEL: 521857MB
ELLIPTICAL 48" 2 TIER PENDANT

PARTS LIST

IMAGE	PARTS NAME	QTY .
	X-14 Parts Bag	1 PC
	Threaded Nipple (Short)	1 PC
	Star Washer	2 PCs
	Hex Nut	2 PCs
	Threaded Nipple (Long)	1 PC
	Swivel	1 PC
	Center Stem (6" , 12" and 24" length)	1 SET
	Canopy	1 PC
	Alabaster Ball	12 PCS