



ASSEMBLY & INSTALLATION INSTRUCTIONS

MODEL: 522721OL
EDGY WALL SCONCE

I M A G E



If you have any questions or problems assembling your fixture please call us for assistance.

Customer Service: (702) 361-4345 or (800) 525-2655

customer.services@kalco.com

WARNING! TO REDUCE THE RISK OF FIRE OR INJURY PLEASE TAKE PRECAUTION AND FOLLOW THE STEPS BELOW.

1. This product must be installed in accordance with the applicable installation code by a person familiar with the construction and operation of the product and the hazards involved.
2. Turn off the power to the fixture's circuit at the service panel. Use a voltage detector to verify that the power is off.

Si vous avez des questions ou des problèmes assemblage de votre dispositif s'il vous plaît appel pour l'assistance.

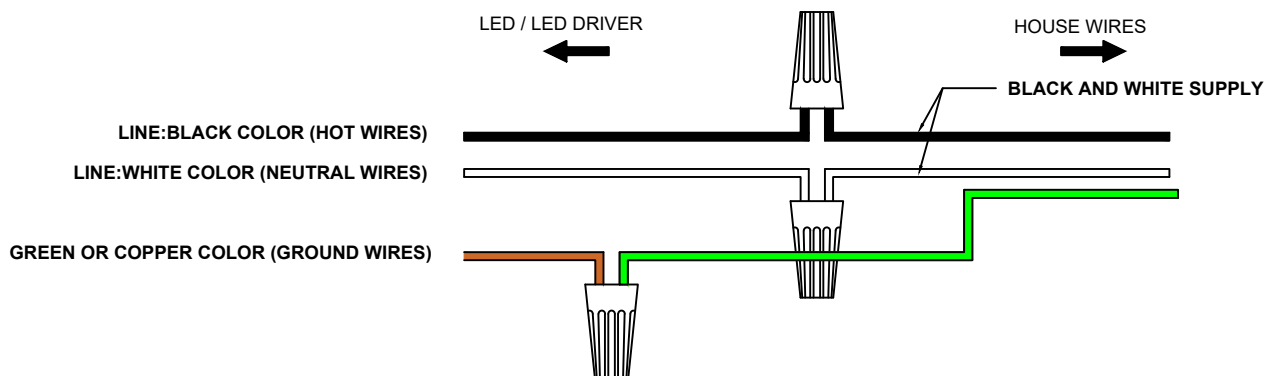
Customer Service: (702) 361-4345 or (800) 525-2655

customer.services@kalco.com

AVERTISSEMENT! POUR RÉDUIRE LES RISQUES D'INCENDIE OU DE BLESSURES S'IL VOUS PLAÎT PRENDRE DES PRÉCAUTIONS ET SUIVEZ LES ÉTAPES CI-DESSOUS.

1. Ce produit doit être installé conformément au code d'installation applicable par une personne connaissant la construction et le fonctionnement du produit ainsi que les dangers encourus.
2. Coupez l'alimentation au circuit de l'appareil sur le tableau de service. Utiliser un détecteur de tension pour vérifier que l'alimentation est coupée

WIRING DIAGRAM



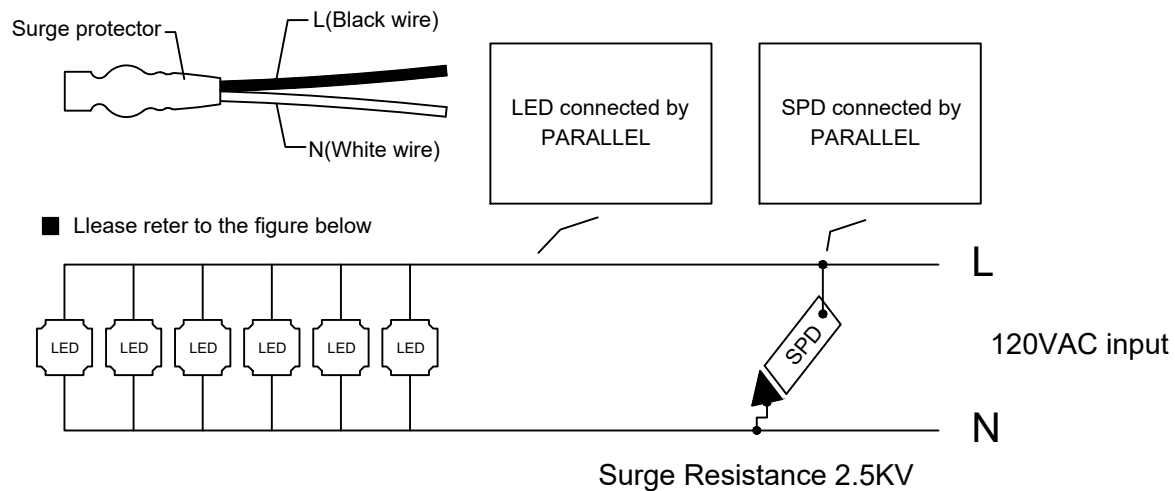
ASSEMBLY & INSTALLATION INSTRUCTIONS

MODEL: 522721OL
EDGY WALL SCONCE

WIRING DIAGRAM

Note: It is recommended that each surge protector be connected to a maximum of 6 LED boards!

SPD Installation



ASSEMBLY & INSTALLATION INSTRUCTIONS

MODEL: 5227210L
EDGY WALL SCONCE

ELECTRICAL / MOUNTING INSTALLATION

STEP 1: Fasten (2) 8-32 x 1 1/2" studs into mounting plate so that they extend away from the ceiling when the mounting plate is installed.

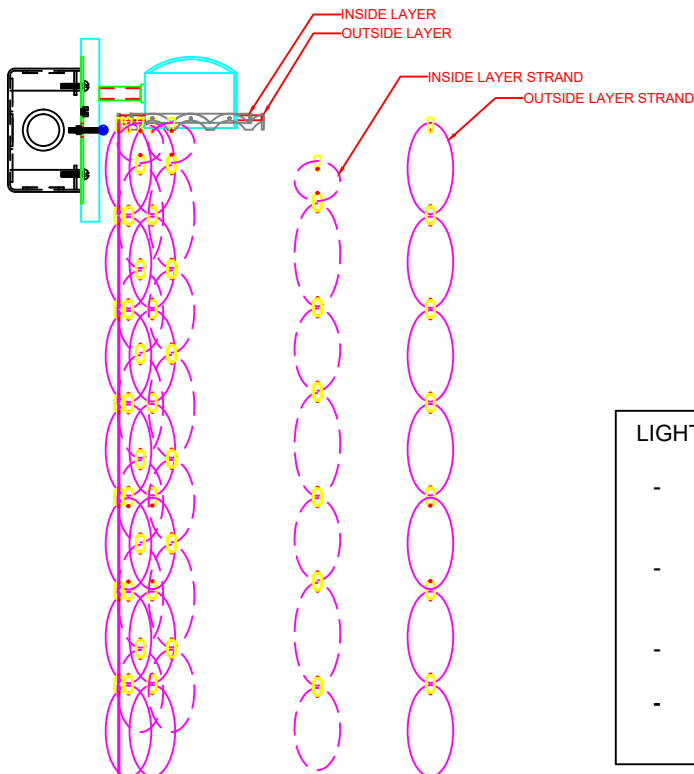
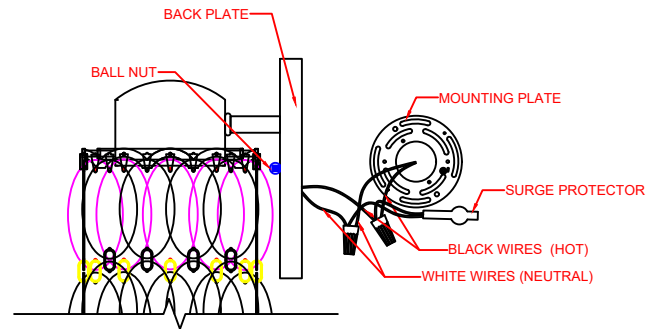
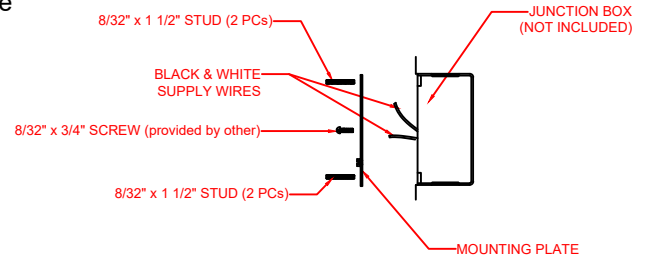
STEP 2: Attach mounting plate to outlet box with the (2) 8-32 x 3/4" screws (provided by other).

STEP 3: Refer to wiring diagram. With wire carefully threaded thru canopy, connect the black color supply wire to the black color fixture wire with wire connector, connect the white color supply wire to the white fixture wire with wire connector. Connect green color of ground wire from fixture with green or copper color of supply ground wire.

STEP 4: Carefully tuck all wires into outlet box ensuring that there are no wires pinched between the canopy and wall.

STEP 5: Attach the back plate to mounting plate and lock it by using two (2) pcs. of ball nut.

STEP 6: Attach capiz strand into frame holder.






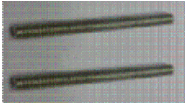


LIGHTING MAINTENANCE:

- Regular cleaning of fixture with proper and gentle care using a soft duster, soft lint-free or damp cloth is recommended.
- Refrain from using harsh cleaning liquids that may cause chemical reaction on the hand painted finishes.
- Always refer to the Assembly Instruction before removing any components.
- **HANDLE WITH CARE.**

ASSEMBLY & INSTALLATION INSTRUCTIONS

MODEL: 5227210L
EDGY WALL SCONCE

PARTS LIST

IMAGE	PARTS NAME	QTY
	Mounting Plate	1 PC
	Ball Nut	2 PCS
	Hex Nut	2 PCS
	Stud	2 PCS
	Capiz Strand with Extra 2 Strand	26 PCS
	Surge Protector	1 PC