

If you have any questions or problems assembling your fixture please call us for assistance. Customer Service:(702)361-4345 or (800)525-2655, customer.services@kalco.com

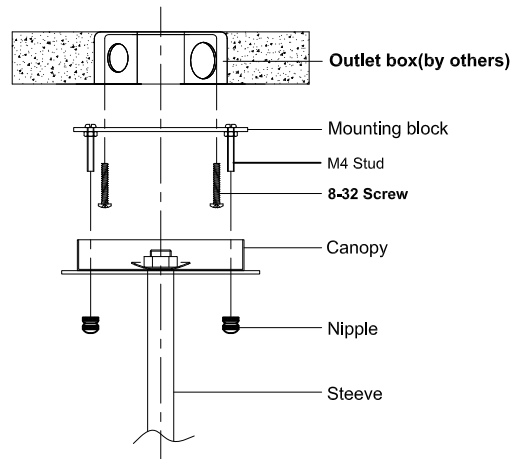
**WARNING:**

1. This fixture must be installed by qualified electrician and contractors understanding ceiling hanging points, structure and strength to meet building code.
2. Turn off the power to the fixture's circuit at the service panel. Use a voltage detector to verify that the power is off.
3. Have electrician install fixture to properly anchor canopies that support the alabaster.

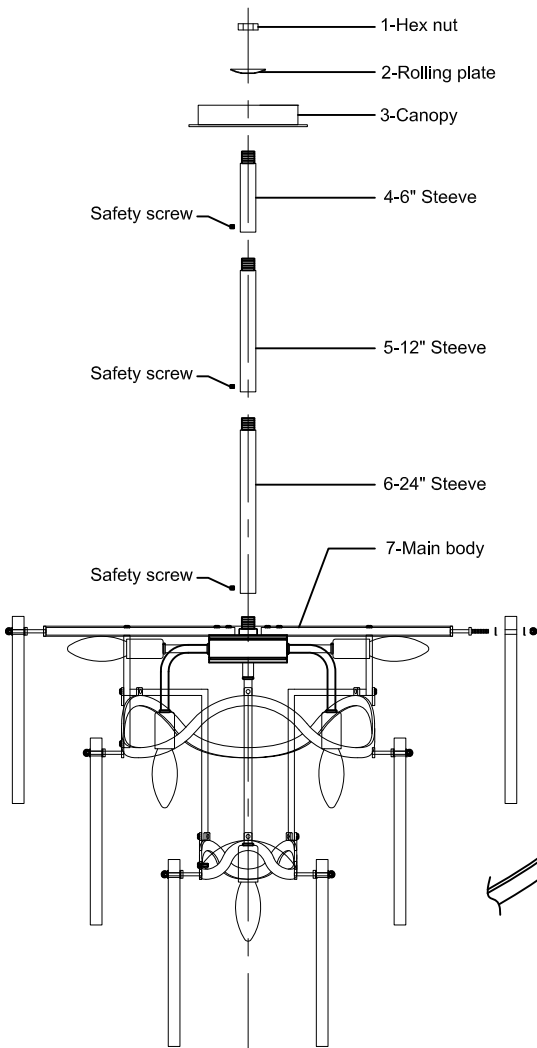
INSTALL CANOPY AS FOLLOWS (FIG. 1):

CAUTION: Be sure power is off at the main breaker box prior to installation.

1. Attach mounting plate to electrical box using 2 8-32 machine screws  
At the same time, install safety to ceiling beam
2. Connect the main wire with the power supply circuit see wire connection diagram.
3. Move the part Canopy to the ceiling, Fix part Canopy to part M4 Stud by using part Nipple.



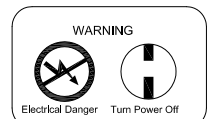
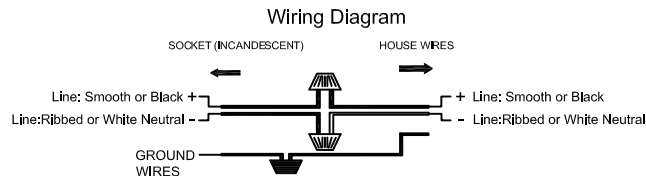
(FIG. 1)



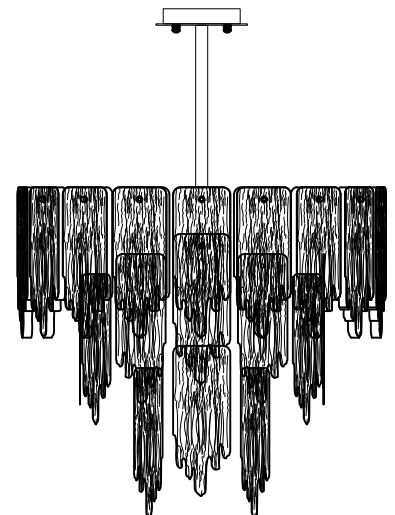
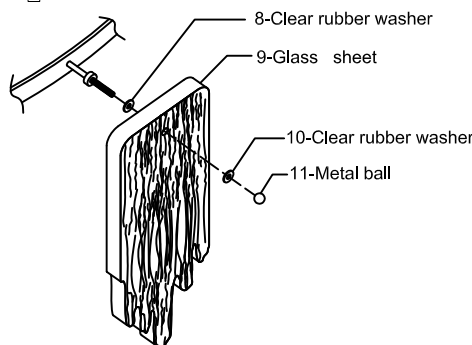
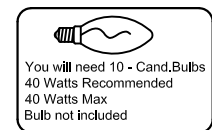
(FIG. 2)

**INSTALLATION(FIG. 2):**

- a. Turn off electricity, take all parts from part box.
- b. Connect the main wire with the power supply circuit.  
See wire connection diagram.
- c. Screw part #6 to part #7, and lock tightly by safety screw.
- d. Screw part #5 to part #6, and lock tightly by safety screw.
- e. Screw part #4 to part #5, and lock tightly by safety screw.
- f. Fix part #2, #3 to part #4 by using part #1.
- g. Fix part #8, #9, #10 to part #7 by using part #11.
- h. Check the installation and attach bulb into lamp holder.



All electrical components must be installed by a licensed electrician in accordance with the National Electric code and the appropriate local electrical codes.



(FRONT VIEW)