

If you have any questions or problems assembling your fixture please call us for assistance. Customer Service:(702)361-4345 or (800)525-2655, customer.services@kalco.com

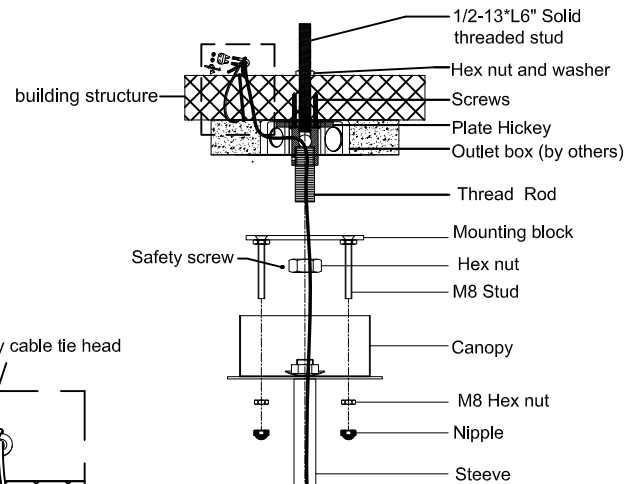
WARNING:

1. This fixture must be installed by qualified electrician and contractors understanding ceiling hanging points, structure and strength to meet building code.
2. Turn off the power to the fixture's circuit at the service panel. Use a voltage detector to verify that the power is off.
3. Have electrician install fixture to properly anchor canopies that support the alabaster.

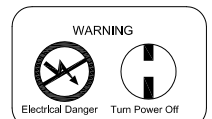
INSTALL CANOPY AS FOLLOWS (FIG. 1):

CAUTION: Be sure power is off at the main breaker box prior to installation.

1. Drill a hole on main ceiling beam and pass Solid Nipple through.
2. Place Washer and Hex Nut on top of Solid Nipple to hold.
3. Take Outlet Box through Solid Nipple and screw mounting block, then screw mounting block to main ceiling beam with 4 screws.
4. Secure the Washer and Hex Nut to Solid Nipple from top side of main ceiling beam.
5. Fix part Mounting block to part Thread Rod by using part Hex nut ,and lock tightly by safety screw.
6. Connect the main wire with the power supply circuit see wire connection diagram.
7. Move the part Canopy to the ceiling, Fix part Canopy to part M8 Stud by using part M8 Hex nut , Nipple. .
8. Wrap the safety cable around the building structure as shown in the figure, and lock brass the lathe part by steel wire and hexagonal screw.



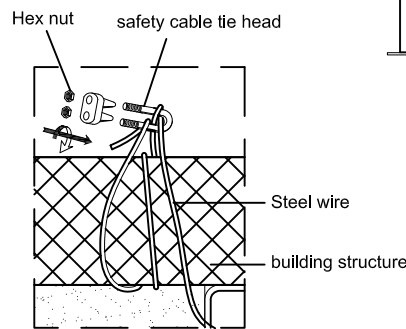
(FIG. 1)



All electrical components must be installed by a licensed electrician in accordance with the National Electric code and the appropriate local electrical codes.

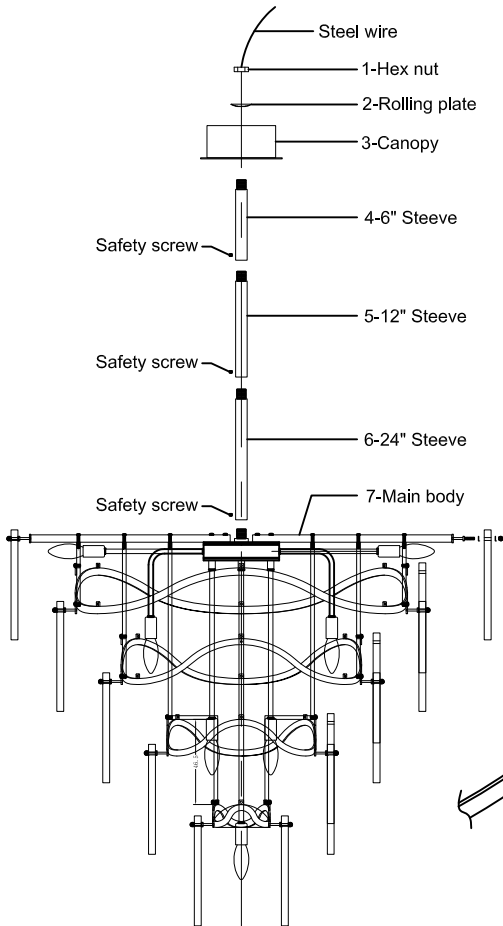
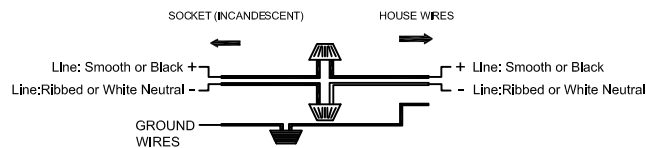


You will need 22 - Cand. Bulbs
40 Watts Recommended
40 Watts Max
Bulb not included

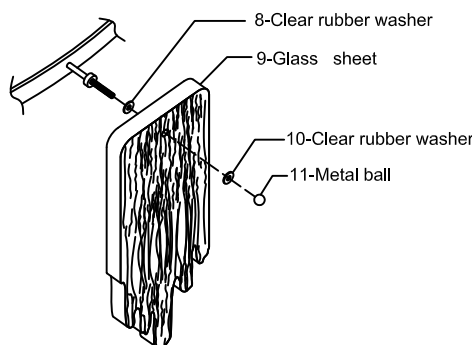


Fix safety cable view

Wiring Diagram

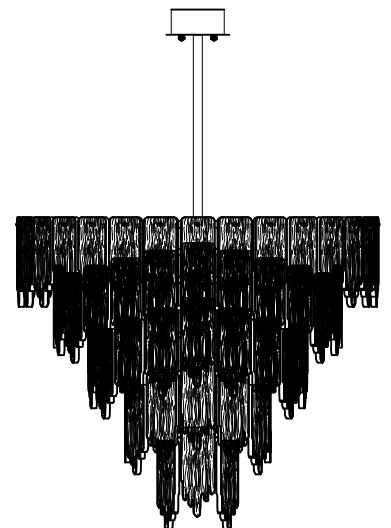


(FIG. 2)



INSTALLATION(FIG. 2):

- a. Turn off electricity, take all parts from part box.
- b. Connect the main wire with the power supply circuit. See wire connection diagram.
- c. Screw part #6 to part #7, and lock tightly by safety screw.
- d. Screw part #5 to part #6, and lock tightly by safety screw.
- e. Screw part #4 to part #5, and lock tightly by safety screw.
- f. Fix part #2, #3 to part #4 by using part #1.
- g. Fix part #8, #9, #10 to part #7 by using part #11.
- h. Check the installation and attach bulb into lamp holder.



(FRONT VIEW)