



ASSEMBLY & INSTALLATION INSTRUCTIONS

MODEL: 523356PAB
3 TIER PENDANT

I M A G E



If you have any questions or problems assembling your fixture please call us for assistance.

Customer Service: (702) 361-4345 or (800) 525-2655
customer.services@kalco.com

WARNING! TO REDUCE THE RISK OF FIRE OR INJURY PLEASE TAKE PRECAUTION AND FOLLOW THE STEPS BELOW.

1. If you are unfamiliar with electrical wiring, call a qualified electrician to install this unit. More than one person may be necessary to install fixture, make sure you have enough qualified help.
2. Turn off the power to the fixture's circuit at the service panel. Use a voltage detector to verify that the power is off.
3. DO NOT install bulb which exceeds the maximum wattage specified on the socket label.

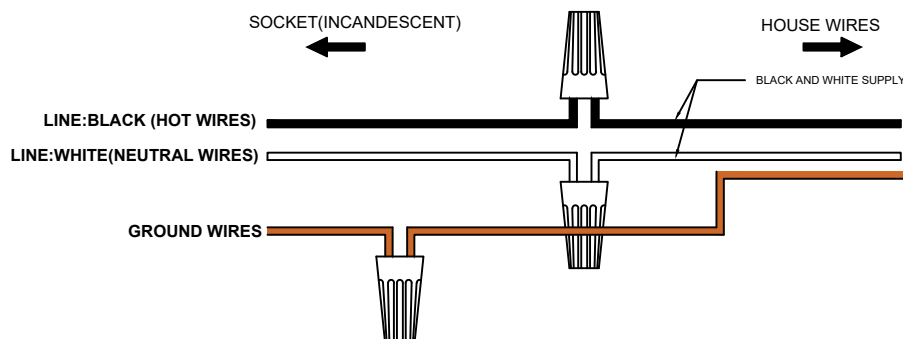
Si vous avez des questions ou des problèmes assemblage de votre dispositif s'il vous plaît appel pour l'assistance.

Customer Service: (702) 361-4345 or (800) 525-2655
customer.services@kalco.com

AVERTISSEMENT! POUR RÉDUIRE LES RISQUES D'INCENDIE OU DE BLESSURES S'IL VOUS PLAÎT PRENDRE DES PRÉCAUTIONS ET SUIVEZ LES ÉTAPES CI-DESSOUS.

1. Si vous n'êtes pas familier avec le câblage électrique, appelez un électricien qualifié pour installer cet appareil. Plus d'une personne peut être nécessaire d'installer appareil, assurez vous que vous disposez de l'aide assez qualifié.
2. Coupez l'alimentation au circuit de l'appareil sur le tableau de service. Utiliser un détecteur de tension pour vérifier que l'alimentation est coupée
3. NE PAS installer l'ampoule qui excède la puissance maximale indiquée sur l'étiquette du socket.

WIRING DIAGRAM



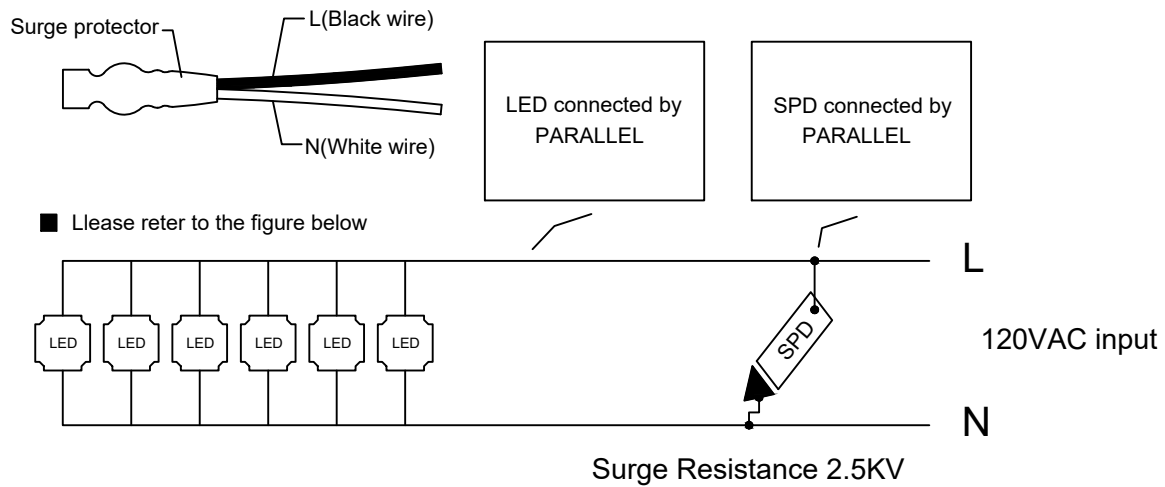
ASSEMBLY & INSTALLATION INSTRUCTIONS

MODEL: 523356PAB
3 TIER PENDANT

WIRING DIAGRAM

Note: It is recommended that each surge protector be connected to a maximum of 6 LED boards!

SPD Installation



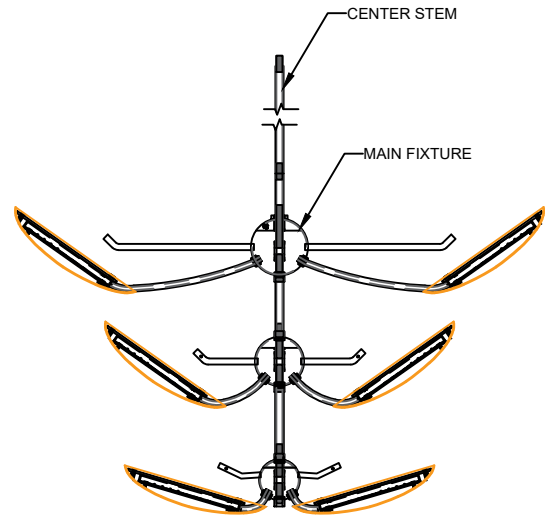


ASSEMBLY & INSTALLATION INSTRUCTIONS

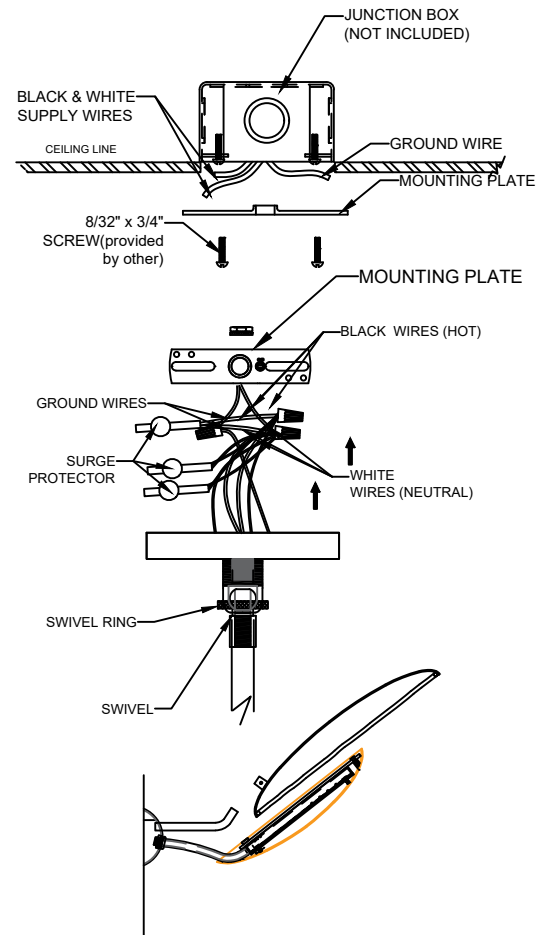
MODEL: PAK0888-37D
3 TIER PENDANT

ELECTRICAL / MOUNTING INSTALLATION / COMPONENT ASSEMBLY

STEP 1: Determine to fixture height ., Carefully attached the Center stem with 6 in length , 12 in length, 24 in length.



- STEP 2:** Fasten (2) 8-32 x 1 1/2" studs into mounting plate so that they extend away from the ceiling when the mounting plate is installed.
- STEP 3:** Attach mounting plate to outlet box with the (2) 8-32 x 3/4" screws(provided by other).
- STEP 4:** Connect bare ground wire from the outlet box (if supplied) with connectors.
- STEP 5:** Refer to wiring diagram. With wire carefully threaded through the swivel, connect the black supply wire to the black fixture wire with wire connector, connect the white supply wire to the white fixture wire with wire connector.
- STEP 6:** Carefully tuck all wires into outlet box ensuring that there are no wires pinched between the canopy and ceiling.
- STEP 7:** Cap the canopy to the mounting plate, make sure that it rest firmly on the ceiling then lock using the swivel ring.
- STEP 8:** Attached the capiz shade to the shade holder and secure using allen screw



ASSEMBLY & INSTALLATION INSTRUCTIONS

MODEL: 523356PAB
3 TIER PENDANT

PARTS LIST

IMAGE	PARTS NAME	QTY
	X9 Parts Bag	1 PC
	Hex Nut	2 PCS
	Stem	1 SET
	Canopy	1 PC
	Swivel	1 PC
	Threaded Nipple	1 PC
	Star Washer	1 PC
	Surge Protector	3PC
	Allen Wrench	1 PC

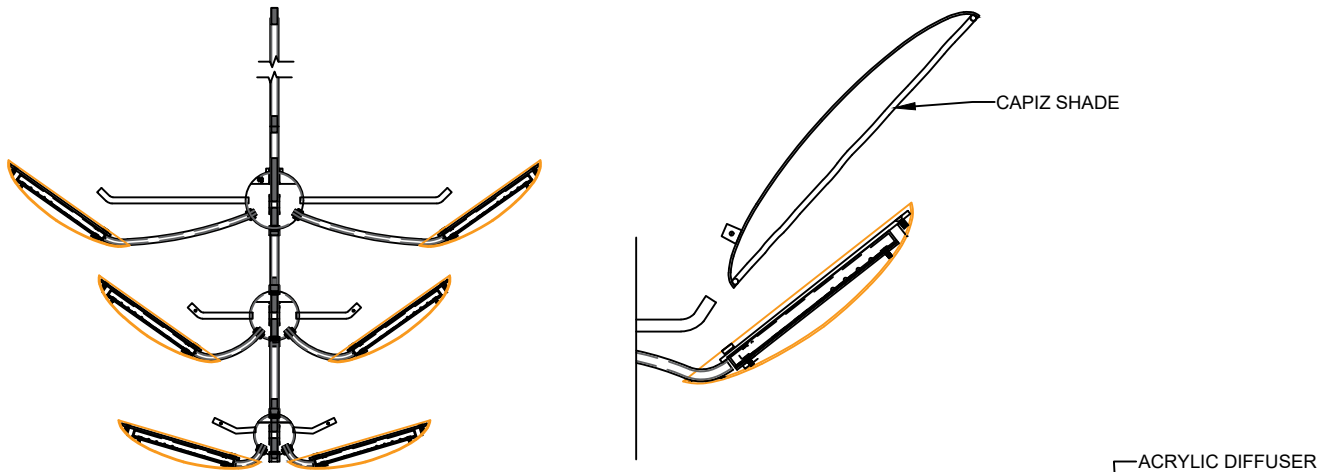
FOR LIGHTING MAINTENANCE:

- **Regular cleaning of fixture with proper and gentle care using a soft duster, soft lint-free or damp cloth is recommended.**
- **Refrain from using harsh cleaning liquids that may cause chemical reaction on the hand painted finishes.**
- **Always refer to the Assembly Instruction before removing any components.**
- **HANDLE WITH CARE.**

ASSEMBLY & INSTALLATION INSTRUCTIONS

MODEL: 523356PAB
3 TIER PENDANT

REPLACING LIGHT COMPONENT



STEP 1: Detached the Capiz Shade by unscrewing on the holder by using allen wrench.

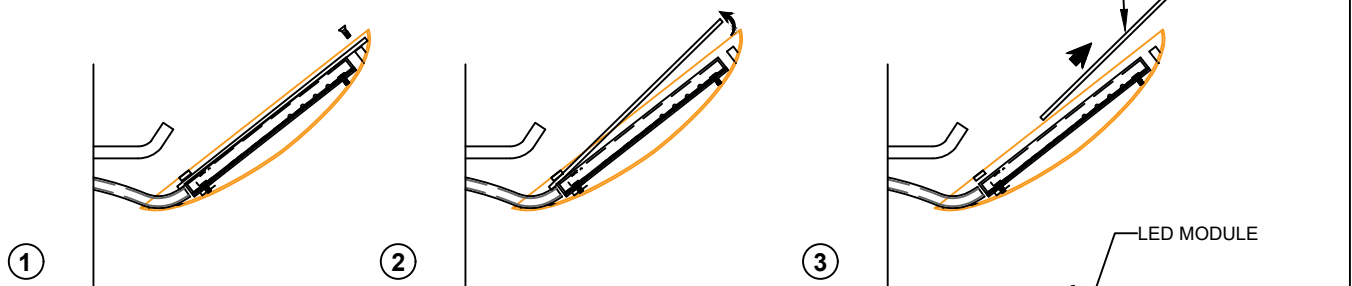


FIGURE: 1-1

STEP 2: Unscrew the acrylic diffuser and remove it carefully (see figure 1-1)

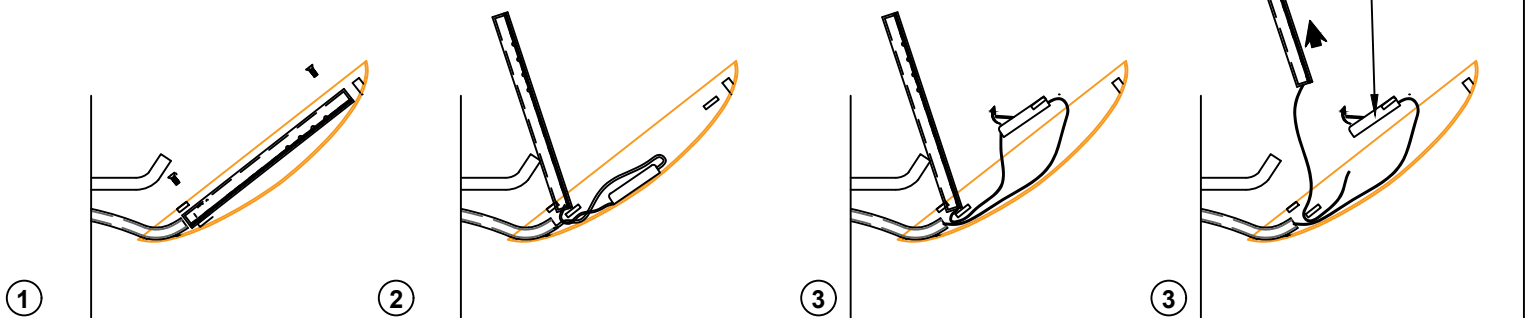


FIGURE: 1-2

STEP 2: Remove the screw of LED module and Carefully pull up the LED module

STEP 3: Carefully remove the connection of wire to the wire connector. Just pullup the locking mechanism of wire connector.(see figure 1-2)

STEP 4: Carefully pull out the LED module and replace to a new one.

Note: Make sure the wire color as same as before removing on the wire connector.