

MODEL 523456WB

WARNING

DISCONNECT POWER BEFORE RELAMPING OR WIRING THE FIXTURE
READ ALL INSTRUCTIONS COMPLETELY BEFORE STARTING INSTALLATION.

CAUTION

- TO AVOID THE RISK OF FIRE OR SHOCK, FIXTURE MUST BE INSTALLED IN COMPLIANCE WITH ALL APPLICABLE NATIONAL AND LOCAL ELECTRICAL/BUILDING CODES.
- INSTALLATION AND MAINTENANCE OF THIS UNIT REQUIRES AN ELECTRICIAN OR CERTIFIED FACTORY TRAINED TECHNICIAN.
- If an existing fixture is being replaced, remove it and note to which of the wires in the outlet box the fixture was attached. DO NOT SEPARATE ANY OTHER WIRES THAT MAY BE IN THE BOX. DO NOT DAMAGE THE INSULATION OF OLDER WIRING. In regular circumstances the BLACK wire will be the "Hot" lead and the WHITE wire will be the "Neutral" or "Common" lead. A GREEN or BARE COPPER wire is the "Ground". In older buildings it is always good practice to reconfirm the polarity of the wiring.

NOTICE

- The important safeguards and instructions outlined on this sheet cannot cover all possible conditions and situations that may occur. It must be understood that common sense, caution and care factors that cannot be built into any product. Caution and care must be supplied by the person(s) installing, operating and caring of this lighting fixture
- This fixture is design to be mounted on a correctly installed standard round or octagon box or a through wiring box with a plaster frame. The box must be securely mounted to the structure of the building. The crossbar and hardware supplied should be used. Directly mounting the fixture to the outlet box may make it impossible to correctly align the fixture.

FIXTURE PREPARATION

1. Remove the fixture, shades, crystals and parts bag(s) from the carton.

NOTICE:

Before discarding the carton, double check to make certain that all parts are found.

2. Determine the overall desired length of the fixture. Assemble the stems one at a time onto the fixture leads. Tape the ends of the leads to a stiff wire (coat hanger) to aid in pulling them through the stems.

NOTICE:

Place the canopy onto the stem BEFORE assembling the top stem section and swivel

FIXTURE INSTALLATION

1. Thread the screws into the mounting ring at the spacing that matches the holes in the canopy. Attach the mounting ring to the outlet box. (The green screw should face the floor). Adjust the studs so they extend 3/16" beyond the canopy. Attach the safety cable to the structure building or brace. See figure-1.

NOTICE:

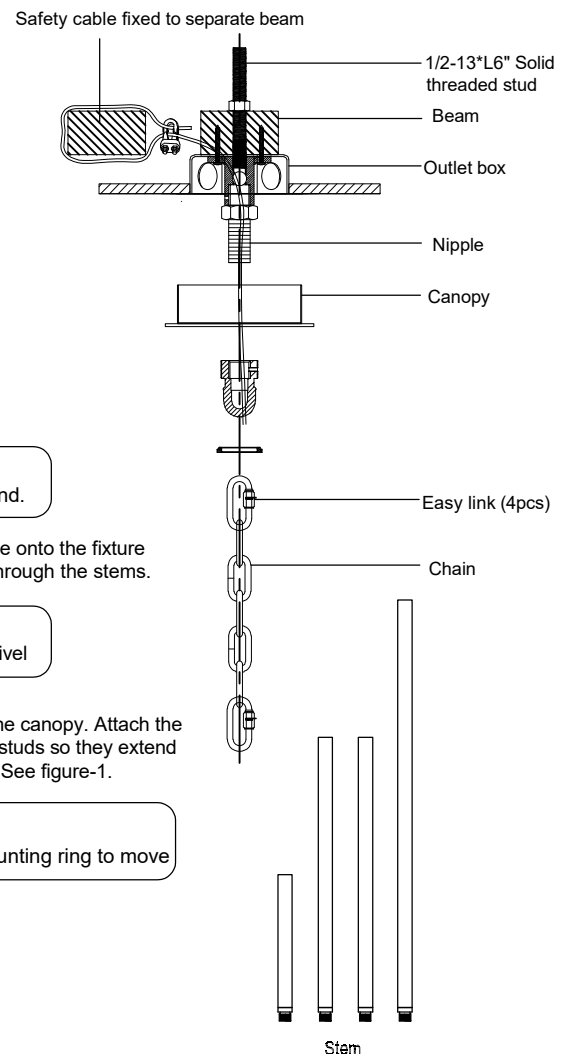
If used on a sloped ceiling, loosen the mounting screws 1/4 turn to allow the mounting ring to move

NOTICE:

THIS LUMINAIRE MUST BE MOUNTED OR SUPPORTED INDEPENDENTLY OF AN OUTLET BOX.

WARNING

REFER TO THE ILLUSTRATION FOR CORRECT AND SAFE INSTALLATION OF SAFETY CABLE. FAILURE TO FOLLOW THIS INSTRUCTION COULD RESULT HARM/DAMAGE TO THE FIXTURE, PROPERTY AND/OR PERSON(S)!



THIS PRODUCT MUST BE INSTALLED IN ACCORDANCE WITH THE APPLICABLE INSTALLATION CODE BY A PERSON FAMILIAR WITH THE CONSTRUCTION AND OPERATION OF THE PRODUCT AND THE HAZARDS INVOLVED

523456WB
Chandelier

If you have any questions or problems assembling your fixture please call us for assistance. Customer Service:(702)361-4345 or (800)525-2655, customer.services@kalco.com

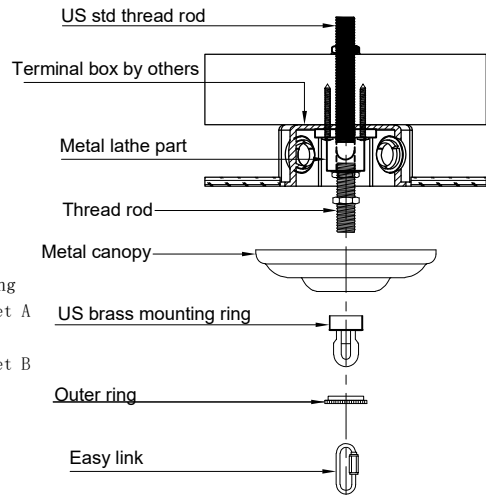
WARNING:

- 1.This fixture must be installed by qualified electrician and contractors understanding ceiling hanging points, structure and strength to meet building code.
- 2.Turn off the power to the fixture's circuit at the service panel. Use a voltage detector to verify that the power is off.
- 3.Have electrician install fixture to properly anchor canopies that support the alabaster.
- 4.This product must be installed in accordance with the applicable installation code by a person familiar with the construction and operation of the product and the hazards involved.

INSTALL CANOPY AS FOLLOWS (FIG. 1):

CAUTION: Be sure power is off at the main breaker box prior to installation.

- 1.Drill a hole on main ceiling beam and pass Solid Nipple through.
- 2.Place Washer and Hex Nut on top of Solid Nipple to hold.
- 3.Take Outlet Box through Solid Nipple and screw mounting block, then screw mounting block to main ceiling beam with 4 screws.
- 4.Secure the Washer and Hex Nut to Solid Nipple from top side of main ceiling beam.
- 5.Fix collar loop on thread rod, canopy pass collar loop to cling to ceiling and then fix by outer ring.
- 6.Use easy link to connect loop and collar loop.



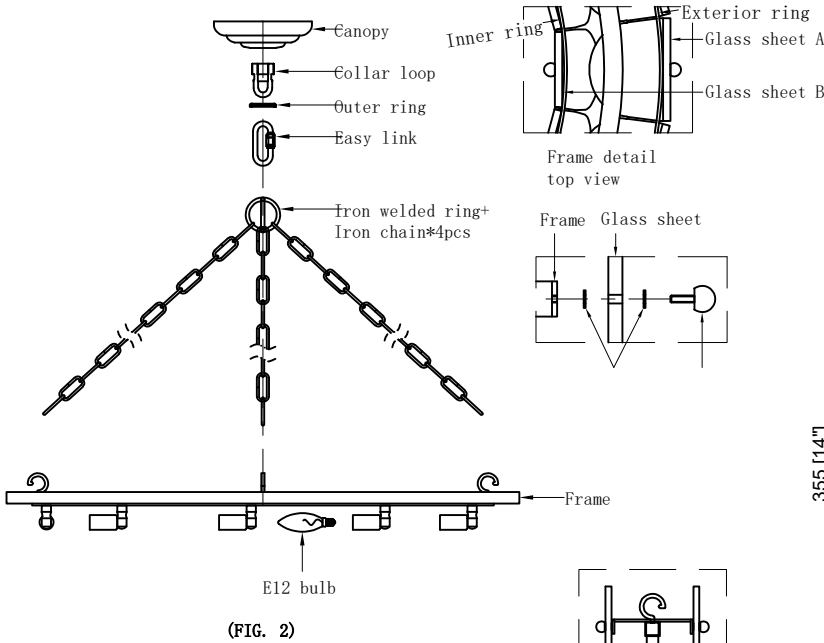
(FIG. 1)



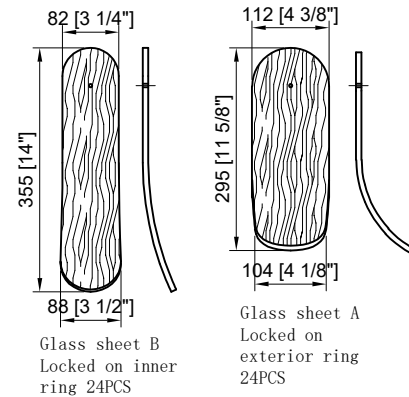
All electrical components must be installed by a licensed electrician in accordance with the National Electric code and the appropriate local electrical codes.



You will need 10 - Cand.Bulbs
40 Watts Recommended
40 Watts Max
Bulb not included

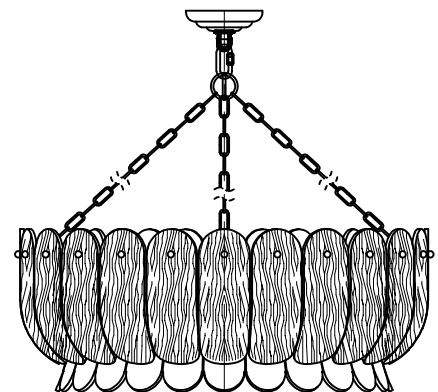
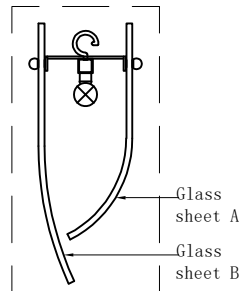


(FIG. 2)



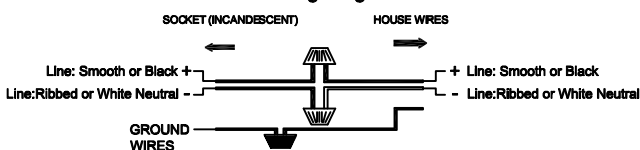
Glass sheet B
Locked on inner ring 24PCS

Glass sheet A
Locked on exterior ring 24PCS



(FRONT VIEW)

Wiring Diagram



INSTALLATION(FIG. 2):

- a. Turn off electricity, take all parts from part box.
- b. Connect the main wire with the power supply circuit. See wire connection diagram.
- c. Use chain to hang frame;

- d. Install E12 bulb on frame;
 - e. Use ball shaped lathe part to lock glass sheet A on exterior ring and glass sheet B on inner ring.
- Note: Screw for glass sheet B is longer than screw for glass sheet A.