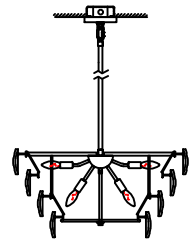




KALCO
Handcrafted Since 1980

Assembly & Installation Instructions for: **524655PWB**



WARNING

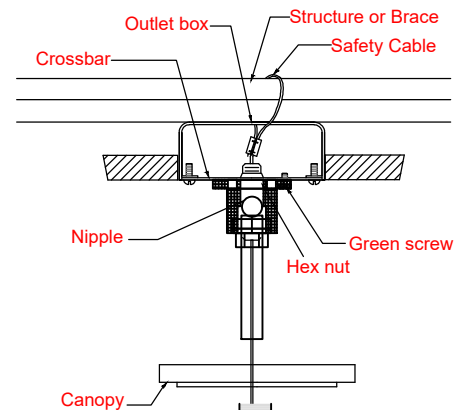
DISCONNECT POWER BEFORE RELAMPING OR WIRING THE FIXTURE
READ ALL INSTRUCTIONS COMPLETELY BEFORE STARTING INSTALLATION.

CAUTION

- TO AVOID THE RISK OF FIRE OR SHOCK, FIXTURE MUST BE INSTALLED IN COMPLIANCE WITH ALL APPLICABLE NATIONAL AND LOCAL ELECTRICAL/BUILDING CODES.
- INSTALLATION AND MAINTENANCE OF THIS UNIT REQUIRES AN ELECTRICIAN OR CERTIFIED FACTORY TRAINED TECHNICIAN.
- If an existing fixture is being replaced, remove it and note to which of the wires in the outlet box the fixture was attached. DO NOT SEPARATE ANY OTHER WIRES THAT MAY BE IN THE BOX. DO NOT DAMAGE THE INSULATION OF OLDER WIRING. In regular circumstances the BLACK wire will be the "Hot" lead and the WHITE wire will be the "Neutral" or "Common" lead. A GREEN or BARE COPPER wire is the "Ground". In older buildings it is always good practice to reconfirm the polarity of the wiring.

NOTICE

- The important safeguards and instructions outlined on this sheet cannot cover all possible conditions and situations that may occur. It must be understood that common sense, caution and care factors that cannot be built into any product. Caution and care must be supplied by the person(s) installing, operating and caring of this lighting fixture
- This fixture is design to be mounted on a correctly installed standard round or octagon box or a through wiring box with a plaster frame. The box must be securely mounted to the structure of the building. The crossbar and hardware supplied should be used. Directly mounting the fixture to the outlet box may make it impossible to correctly align the fixture.



FIXTURE PREPARATION

1. Remove the fixture, shades, crystals and parts bag(s) from the carton.

NOTICE:

Before discarding the carton, double check to make certain that all parts are found.

2. Determine the overall desired length of the fixture. Assemble the stems one at a time onto the fixture leads. Tape the ends of the leads to a stiff wire (coat hanger) to aid in pulling them through the stems.

NOTICE:

Place the canopy onto the stem BEFORE assembling the top stem section and swivel

FIXTURE INSTALLATION

1. Thread the screws into the mounting ring at the spacing that matches the holes in the canopy. Attach the mounting ring to the outlet box. (The green screw should face the floor). Adjust the studs so they extend 3/16" beyond the canopy. Attach the safety cable to the structure building or brace. See figure-1.

NOTICE:

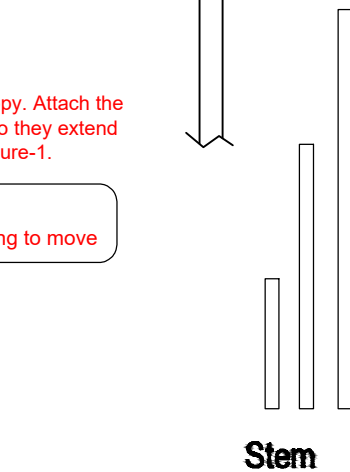
If used on a sloped ceiling, loosen the mounting screws 1/4 turn to allow the mounting ring to move

NOTICE:

THIS LUMINAIRE MUST BE MOUNTED OR SUPPORTED INDEPENDENTLY OF AN OUTLET BOX.

WARNING

REFER TO THE ILLUSTRATION FOR CORRECT AND SAFE INSTALLATION OF SAFETY CABLE. FAILURE TO FOLLOW THIS INSTRUCTION COULD RESULT HARM/DAMAGE TO THE FIXTURE, PROPERTY AND/OR PERSON(S)





ASSEMBLY & INSTALLATION INSTRUCTIONS

MODEL: 524655PWB

KALCO
Handcrafted Since 1980

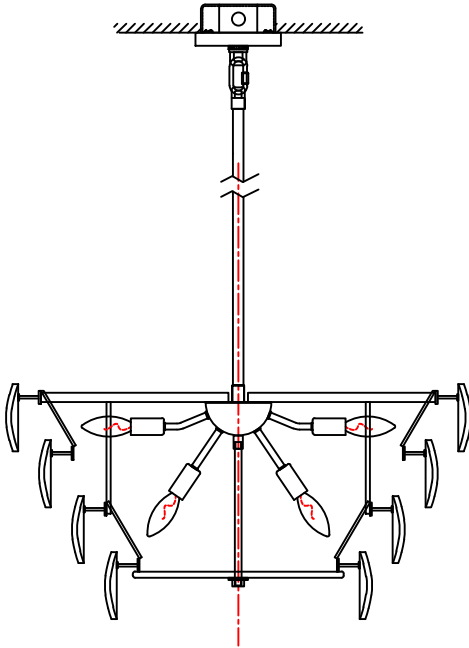
I M A G E

If you have any questions or problems assembling your fixture please call us for assistance.

Customer Service: (702) 361-4345 or (800) 525-2655
customer.service@kalco.com

WARNING! TO REDUCE THE RISK OF FIRE OR INJURY PLEASE TAKE PRECAUTION AND FOLLOW THE STEPS BELOW.

1. If you are unfamiliar with electrical wiring, call a qualified electrician to install this unit. More than one person may be necessary to install fixture, make sure you have enough qualified help.
2. Turn off the power to the fixture's circuit at the service panel. Use a voltage detector to verify that the power is off.
3. DO NOT install bulb which exceeds the maximum wattage specified on the socket label.



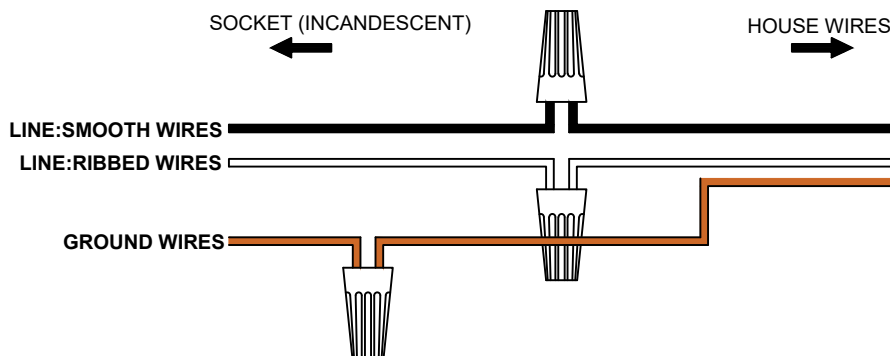
Si vous avez des questions ou des problèmes assemblage de votre dispositif s'il vous plait appel pour l'assistance.

Customer Service: (702) 361-4345 or (800) 525-2655
customer.service@kalco.com

AVERTISSEMENT! POUR RÉDUIRE LES RISQUES D'INCENDIE OU DE BLESSURES S'IL VOUS PLAÎT PRENDRE DES PRÉCAUTIONS ET SUIVEZ LES ÉTAPES CI-DESSOUS.

1. Si vous n'êtes pas familier avec le câblage électrique, appelez un électricien qualifié pour installer cet appareil. Plus d'une personne peut être nécessaire d'installer appareil, assurez vous que vous disposez de l'aide assez qualifié.
2. Coupez l'alimentation au circuit de l'appareil sur le tableau de service. Utiliser un détecteur de tension pour vérifier que l'alimentation est coupée.
3. NE PAS installer l'ampoule qui excède la puissance maximale indiquée sur l'étiquette du socket.

WIRING DIAGRAM





ASSEMBLY & INSTALLATION INSTRUCTIONS

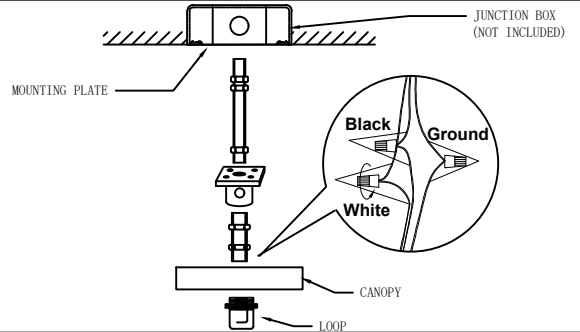
MODEL: 524655PWB

KALCO
Handcrafted Since 1980

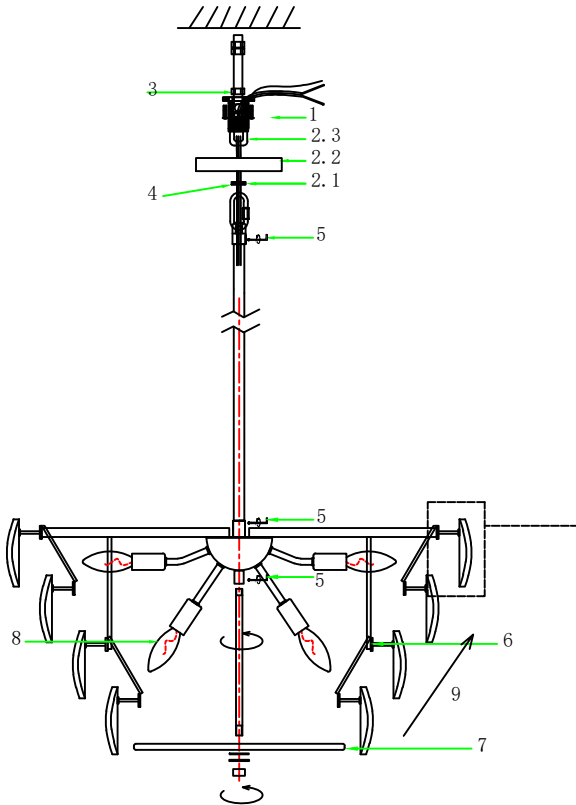
MOUNTING INSTRUCTIONS

STEP 1: Attach mounting plate to outlet box with the (2) 8/32"x 3/4" screws.

STEP 2.1: Adjust the desired height of the lamp body with the chain and pass through the lock ring with the wire.



ELECTRICAL / COMPONENTS ASSEMBLY



STEP 2.2: Attach the chain and cable through canopy.

STEP 2.3: Attach cable through the canopy loop, and cable the open-able chain to the canopy loop, lace wires through the chain links (every other link).

STEP 3: Refer to wiring diagram. With wire carefully threaded thru canopy, connect the black supply wire to the smooth fixture wire with wire connector, connect the white supply wire to the ribbed fixture wire with wire connector. Connect ground wire from fixture with supply ground wire.

STEP 4: Tighten the canopy to mounting plate by canopy hoop ring.

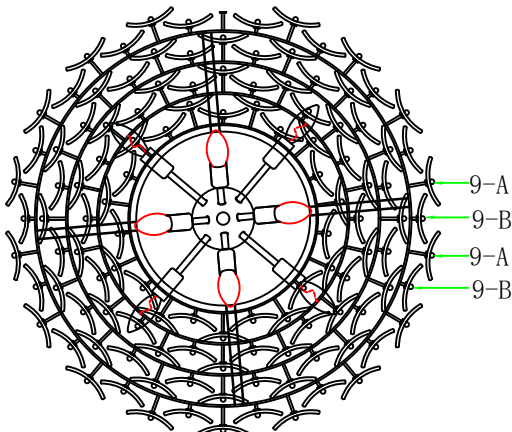
STEP 5: Attach the metal thread tube to the main fixture and secure by small screws with Allen Key. (see accessories bag)

STEP 6: Attach the metal circle to the main fixture.

STEP 7: Install the large bottom glass piece first

STEP 8: Install the E12 bulbs, don not use bulbs that exceed 40W.

STEP 9: Remove the round ball and install the glass into the metal ring. Install the glass from the bottom to the top, first the glass with the low metal ring height (B), then the glass with the high metal ring height (A).



LIGHTING MAINTENANCE:

- Regular cleaning of fixture with proper and gentle care using a soft duster, soft lint-free or damp cloth is recommended.
- Refrain from using harsh liquids that may cause chemical reaction on the hand painted finishes.
- Always refer to the Assembly Instruction before removing any components.
- **HANDLE WITH CARE.**



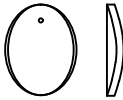

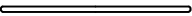




ASSEMBLY & INSTALLATION INSTRUCTIONS

MODEL: 524655PWB

KALCO
Handcrafted Since 1980

PARTS LIST

IMAGE	PARTS NAME	QTY
	Canopy	1 PC/Set
	L6"+ L12"+L24"Metal Thread Tube	1 PC
	Glass Sheet	118 PCs
	L15" Metal thread tube	1 PC
	Ø12.6" Glass	1 PC
	Silicone pad+Ø30 Metal plate+Ø20*10 nut	1 PC
	Ø9Round ball	118 PCs

