



ASSEMBLY & INSTALLATION INSTRUCTIONS

MODEL: 527211BGZ
13 IN DIA PENDANT

I M A G E



If you have any questions or problems assembling your fixture please call us for assistance.

Customer Service: (702) 361-4345 or (800) 525-2655
customer.services@kalco.com

WARNING! TO REDUCE THE RISK OF FIRE OR INJURY PLEASE TAKE PRECAUTION AND FOLLOW THE STEPS BELOW.

1. If you are unfamiliar with electrical wiring, call a qualified electrician to install this unit. More than one person may be necessary to install fixture, make sure you have enough qualified help.
2. Turn off the power to the fixture's circuit at the service panel. Use a voltage detector to verify that the power is off.

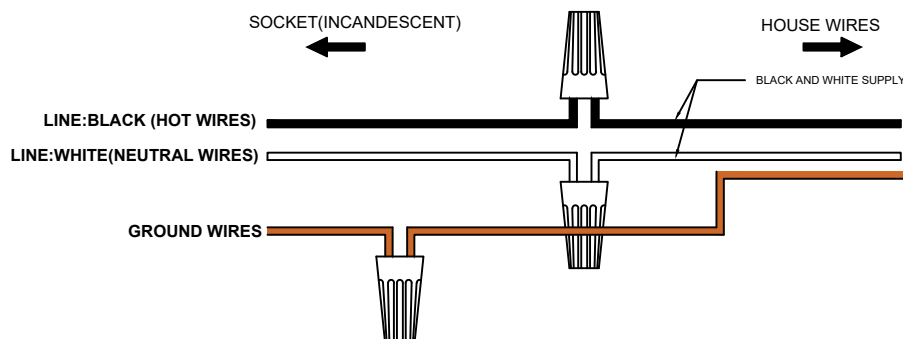
Si vous avez des questions ou des problèmes assemblage de votre dispositif s'il vous plaît appel pour l'assistance.

Customer Service: (702) 361-4345 or (800) 525-2655
customer.services@kalco.com

AVERTISSEMENT! POUR RÉDUIRE LES RISQUES D'INCENDIE OU DE BLESSURES S'IL VOUS PLAÎT PRENDRE DES PRÉCAUTIONS ET SUIVEZ LES ÉTAPES CI-DESSOUS.

1. Si vous n'êtes pas familier avec le câblage électrique, appelez un électricien qualifié pour installer cet appareil. Plus d'une personne peut être nécessaire d'installer appareil, assurez vous que vous disposez de l'aide assez qualifié.
2. Coupez l'alimentation au circuit de l'appareil sur le tableau de service. Utiliser un détecteur de tension pour vérifier que l'alimentation est coupée
3. NE PAS installer l'ampoule qui excède la puissance maximale indiquée sur l'étiquette du socket.

WIRING DIAGRAM



ASSEMBLY & INSTALLATION INSTRUCTIONS

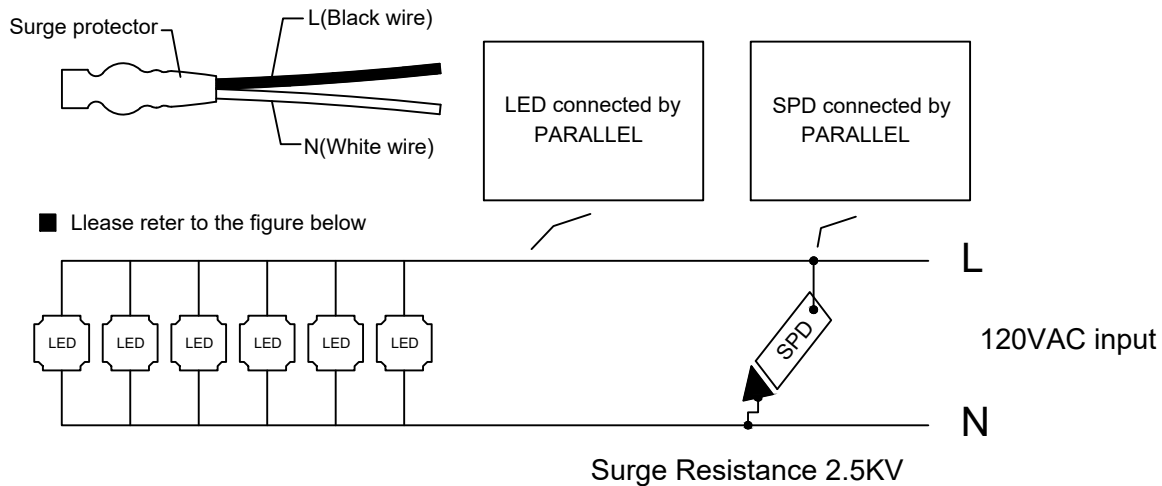
MODEL: 527211BGZ
13 IN DIA PENDANT

WIRING DIAGRAM

Note: It is recommended that each surge protector be connected to a maximum of 6 LED boards!

SPD Installation

Note: Surge protector will become a power regulator for the unexpected power surge that may cause damage for the LED module.



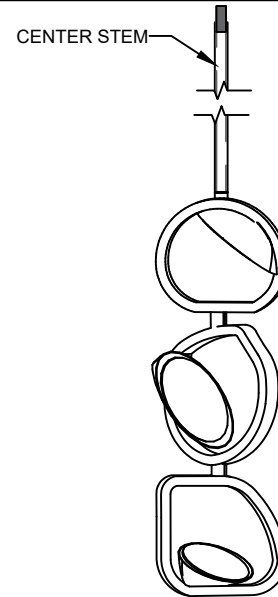


ASSEMBLY & INSTALLATION INSTRUCTIONS

MODEL: 527211BZG
13 IN DIA PENDANT

ELECTRICAL / MOUNTING INSTALLATION / COMPONENT ASSEMBLY

STEP 1: Determine to fixture height ., Carefully attached the Center stem with 6 in length , 12 in length, 24 in length.



STEP 2: Fasten (2) 8-32 x 1 1/2" studs into mounting plate so that they extend away from the ceiling when the mounting plate is installed.

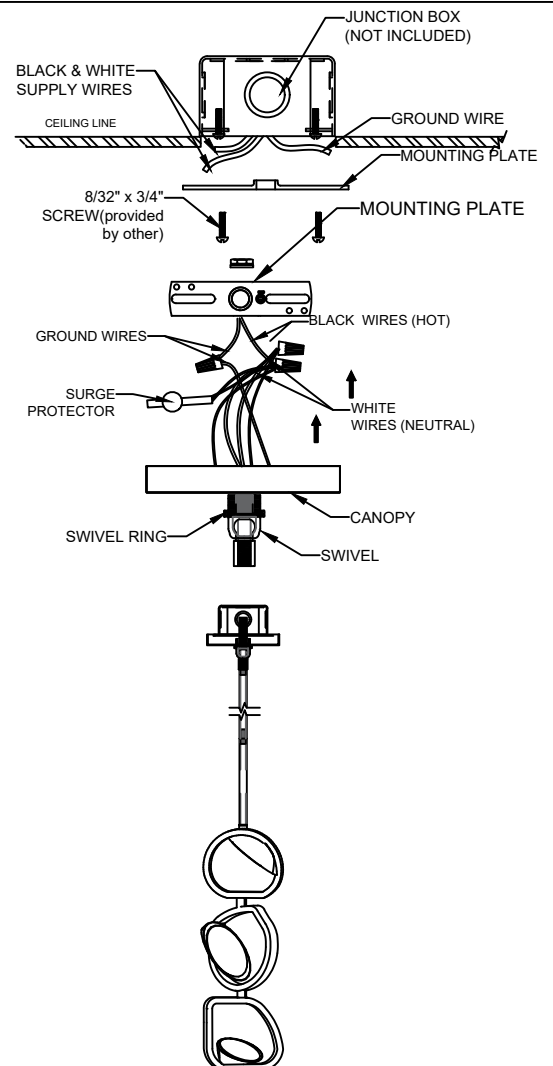
STEP 3: Attach mounting plate to outlet box with the (2) 8-32 x 3/4" screws(provided by other).

STEP 4: Connect bare ground wire from the outlet box (if supplied) with connectors.

STEP 5: Refer to wiring diagram. With wire carefully threaded through the swivel, connect the black supply wire to the black fixture wire and black wire of surge protector with wire connector, connect the white supply wire to the white fixture wire and white wire of surge protector with wire connector.

STEP 6: Carefully tuck all wires into outlet box ensuring that there are no wires pinched between the canopy and ceiling.

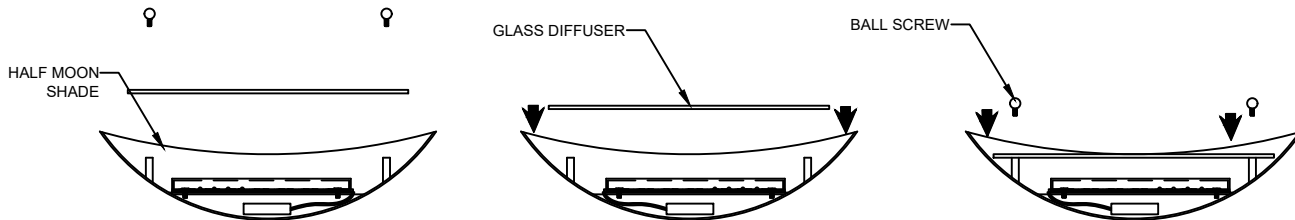
STEP 7: Cap the canopy to the mounting plate, make sure that it rest firmly on the ceiling then lock using the swivel ring.



ASSEMBLY & INSTALLATION INSTRUCTIONS

MODEL: 527211BGZ
13 IN DIA PENDANT

COMPONENT ASSEMBLY



STEP 8: Carefully install the glass to the half moon shade frame, and secure it using ball screw

FOR LIGHTING MAINTENANCE:

- Regular cleaning of fixture with proper and gentle care using a soft duster, soft lint-free or damp cloth is recommended.
- Refrain from using harsh cleaning liquids that may cause chemical reaction on the hand painted finishes.
- Always refer to the Assembly Instruction before removing any components.
- HANDLE WITH CARE.

ASSEMBLY & INSTALLATION INSTRUCTIONS

MODEL: 527211BGZ
13 IN DIA PENDANT

PARTS LIST

IMAGE	PARTS NAME	QTY
	Mounting Plate	1 PC
	Hex Nut	2 PCS
	Stem (1) 6" x (1) 12" x (1) 24"	1 SET
	Canopy	1 PC
	Swivel	1 PC
	Threaded Nipple	1 PC
	Star Washer	1 PC
	Surge Protector	1 PC
	BALL SCREW	6 PCS
	GLASS DIFFUSER	3 PCS

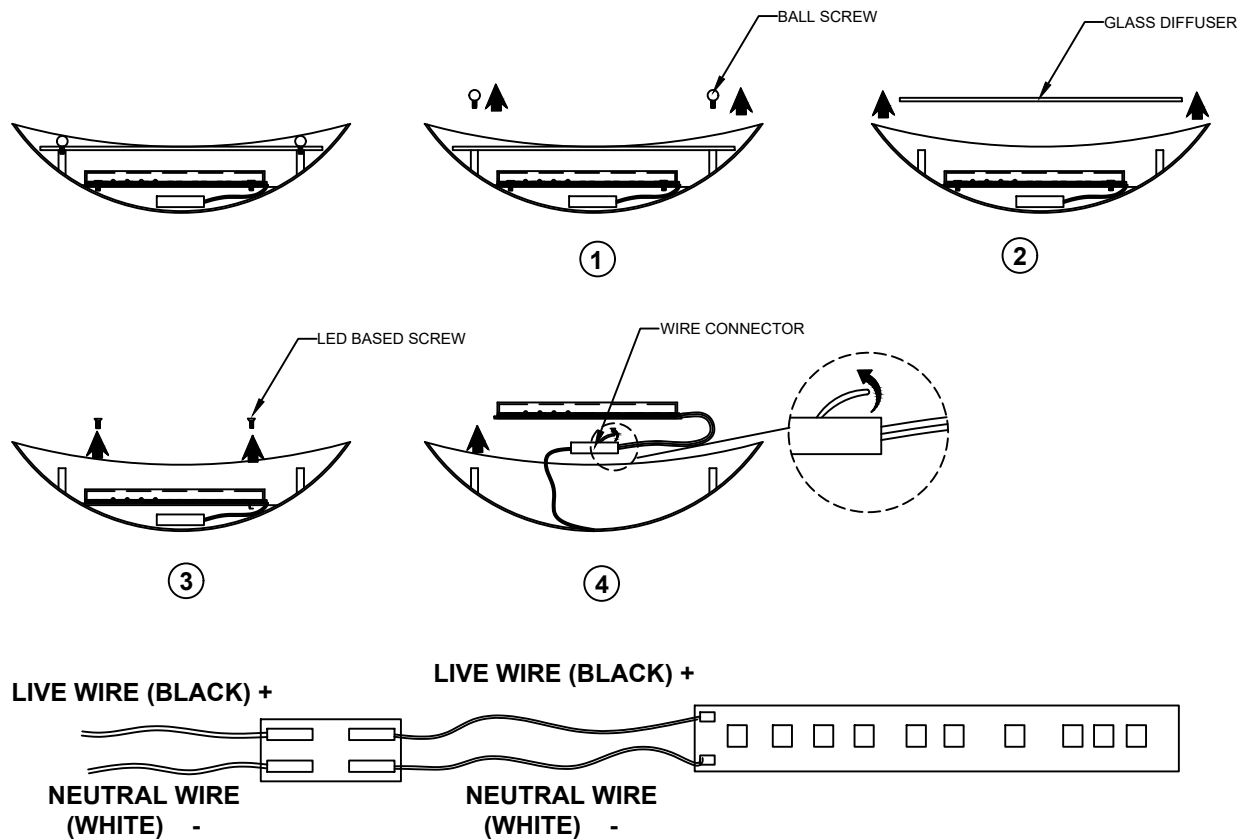
FOR LIGHTING MAINTENANCE:

- **Regular cleaning of fixture with proper and gentle care using a soft duster, soft lint-free or damp cloth is recommended.**
- **Refrain from using harsh cleaning liquids that may cause chemical reaction on the hand painted finishes.**
- **Always refer to the Assembly Instruction before removing any components.**
- **HANDLE WITH CARE.**

ASSEMBLY & INSTALLATION INSTRUCTIONS

MODEL: 527211BGZ
13 IN DIA PENDANT

REPLACING LIGHT COMPONENT



STEP 1: Carefully remove the ball screw on the glass diffuser.
Note: Gently press the glass white doing this process to prevent from falling.

STEP 2: Carefully remove the glass from the shade.

STEP 3: Unscrew the LED and carefully pullout the led panel

STEP 4: Unlock the wire on the wire connector by lifting up the lock tab on the wire connector.

Note: Make sure to matched the color of wire based on diagram