



At Home In Any Environment

**Assembly & Installation Instructions for:
9411BB ANASTASIA 1-Light Wall Sconce**



Customer Service :(702)361-4345,(800)525-2655,customer.service@kalco.com

WARNING - TO REDUCE THE RISK OF FIRE OR INJURY:

- 1.If you are unfamiliar with electrical wiring, call a qualified electrician to install this unit .More than one person may be necessary to install fixture ,make sure you have enough qualified help.
- 2.Turn off the power to the fixture's circuit at the service panel. Use a voltage detector to verify that the power is off.
- 3.DO NOT install bulb which exceeds the maximum wattage specified on the socket label.

Fixture Assembly

Step 1. Place mount mounting and wiring steps before glass installation step

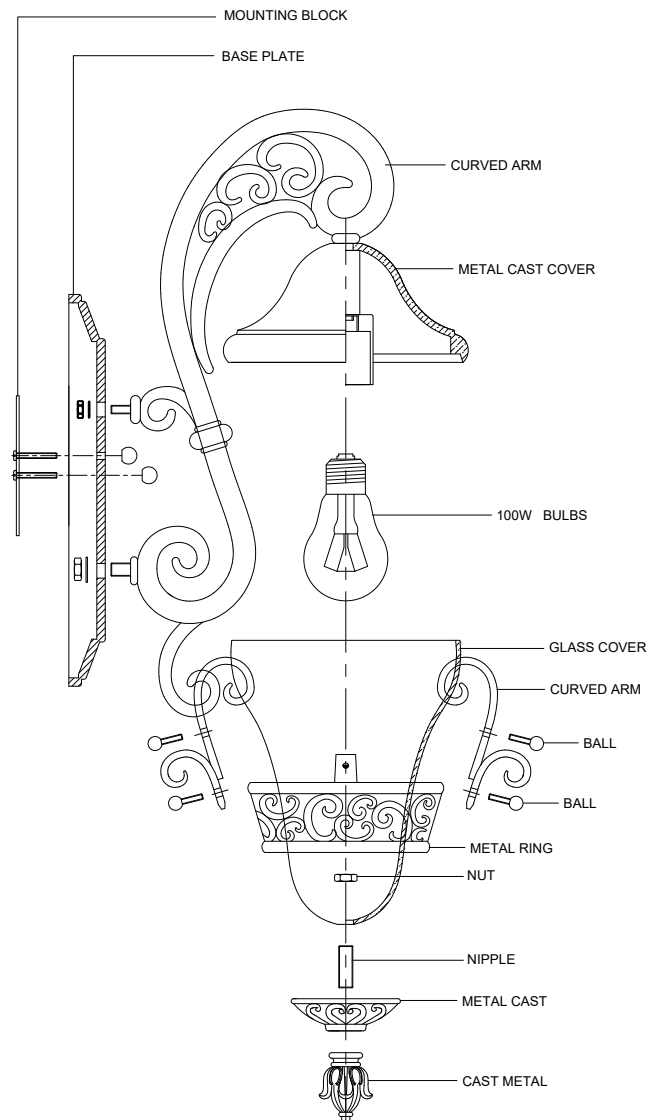
Step 2. Install candelabra bulbs bulb,do not use bulbs that exceeds 100W

Step 3. Fix part curved arm to part metal ring by using ball.

Step 4. Connect partcast metal、metal cast、 glass cover 、 plastic washer 、 nut by using part nipple

Step 5. Fix part metal ring、 glass cover to part metal ring by using ball.

Step 6. Fix part main body to part base plate by using nut.





At Home In Any Environment

Assembly & Installation Instructions for:
9411BB ANASTASIA 1-Light Wall Sconce

Customer Service :(702)361-4345,(800)525-2655,customer.service@kalco.com

Fixture Assembly

Step 7. Fasten 2 (state specification of screw) into mounting plate so that they extend away from wall when mounting plate is installed

Step 8. Attach the mounting plate to outlet box with screws

Step 9. Refer to wiring diagram.
Splice the ribbed side of fixture cord to the white supply wire from outlet box with wire connector. Splice the smooth side of the fixture cord to black supply wire from outlet box with wire connector

Step 10. Carefully tuck in all wires Attach the back plate with the mounting screw on the crossbar. Secure fixture with shell knobs.

Step 11. Fixing the fixture on the wall ,then glue the backplate and wall with the super glass glue to avoid water enter into the backplate

