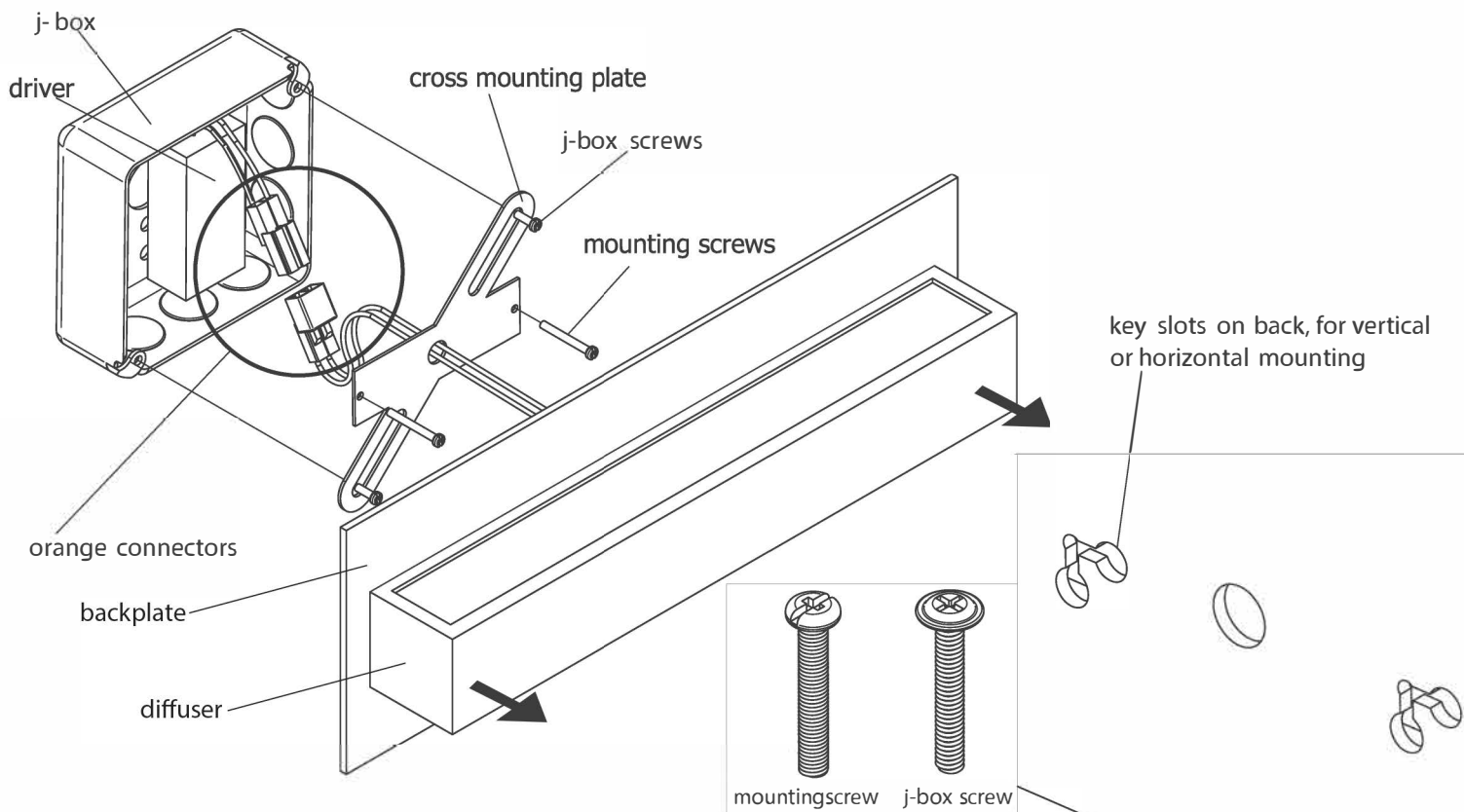


# ASSEMBLY AND INSTALLATION INSTRUCTIONS

**WARNING: TO AVOID RISK OF ELECTRICAL SHOCK, BE SURE TO SHUT OFF POWER PRIOR TO INSTALLING OF SERVICING THIS FIXTURE.**

**NOTE: Before installing, consult local electrical codes for wiring and grounding requirements**



## Installation Steps

1. Carefully unpack your new fixture and lay out all the parts on a clean surface. Take care not to lose any small parts necessary for installation.
2. Make wire connections from J-Box to driver:  
Important: Leave the red and blue wires with the orange connector and ground wire accessible.
  - **FOR DIMMING:** If using a dimmer (not included), follow wiring instructions enclosed with dimmer. Double Check Wiring.
  - **FOR NON-DIMMING:** If not using a dimming switch, cap off purple and gray wires individually with wire nuts. Connect neutral wire (white) with neutral wire and hot wire (black) with hot wire. Double check wiring.
3. Tuck the wire connections and driver neatly into the junction box, leaving the orange connector and ground wire accessible.
4. If using the mounting strap, determine the proper orientation for it (vertical or horizontal), and thread the orange connector from the driver through the center hole of the mounting strap. Install the mounting strap to the j-box with j-box screws.
5. Place the fixture on a flat surface, and separate the diffuser from the backplate by holding the backplate down and pulling the diffuser straight up away from the backplate. Be sure to keep even pressure on each end of the diffuser so it comes off straight.
6. With the diffuser removed from the backplate, identify which side of the array stand has an arrow pointing to it. Pick up that side of the array stand and swivel it out of the way to expose the mounting holes.
7. Bring the fixture to the wall, and connect the orange connectors together. Feed the connectors through the hole on the mounting strap as the fixture is pushed towards the wall. With the mounting holes exposed, attach the mounting screws to the mounting strap and tighten until the fixture is secured against the wall.
8. Swivel the array stand back to the proper position, making sure not to pinch any wires. Carefully place the diffuser back onto the mounting plate.
9. Turn the power back on at fuse or circuit box.

**ALCOR scone**  
120v **3-532-xx**  
277v **37-532-xx**

OXYGEN LIGHTING ©

**oxygen**

**OXYGEN LIGHTING**  
201 RAILHEAD RD, FORT WORTH, TX 76106  
TEL. (877) 607-0202 FAX (877) 607-0203  
WWW.OXYGENLIGHTING.COM

**ASSEMBLY INSTRUCTIONS**