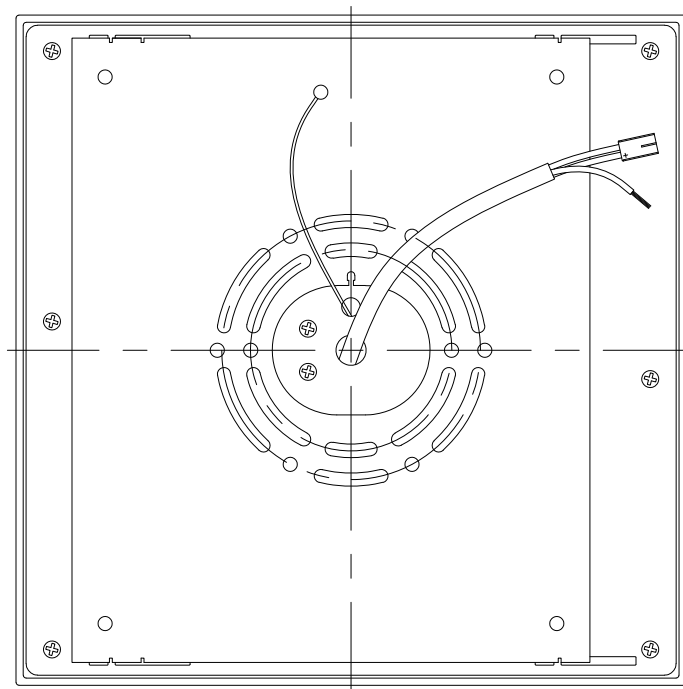
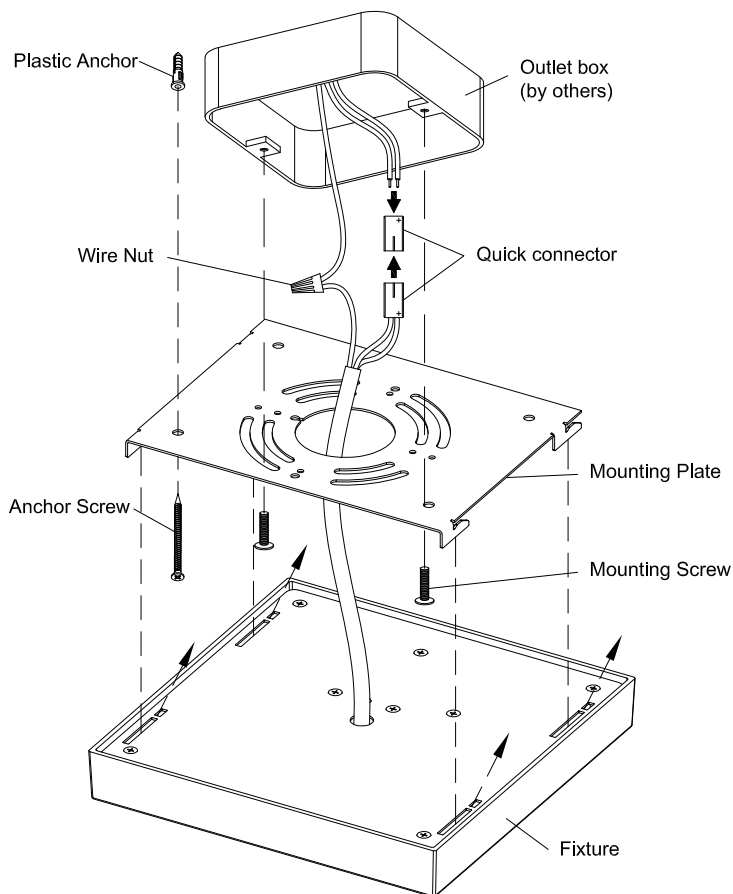


# ASSEMBLY AND INSTALLATION INSTRUCTIONS

**WARNING: TO AVOID RISK OF ELECTRICAL SHOCK, BE SURE TO SHUT OFF POWER PRIOR TO INSTALLING OR SERVICING THIS FIXTURE.**

**NOTE: Before installing, consult local electrical codes for wiring and grounding requirements.**



## Installation Steps

1. Carefully unpack your new fixture and lay out all the parts on clean surface. Take care not to lose any small parts necessary for installation.
2. Remove mounting plate from fixture and secure it to the junction box. If needed, orient the mounting plate so that the fixture is centered after installation.
3. Make wire connections. Attach ground wire to building ground wire using a wire nut.
  - **FOR DIMMING:** If using a dimmer (not included), follow wiring instructions enclosed with dimmer. Double check wiring. Tuck the wire connections neatly into the junction box. Some suggested dimmers below.
  - **FOR NON-DIMMING:** If not using a dimming switch, with wire nuts, connect building wires to fixture wires. Connect white wire (neutral) with white wire (neutral), black wire (hot) with black wire (hot). Double check wiring.
5. If using a quick connector, be sure to stab the white wire in the space across from the white wire, and the black wire in the space across from the black wire. Do not cross the wiring.
6. Push wire connections through the hole in the mounting plate and tuck the wire neatly into the junction box.
7. Align the tabs on the mounting plate with the slots in the fixture, and slide the fixture in place.
8. Turn power back on at fuse or circuit box.

**ALTAIR ceiling mount  
3-334-xx**

OXYGEN LIGHTING ©

**oxygen**

**OXYGEN LIGHTING**  
201 RAILHEAD RD., FORT WORTH, TX 76106  
TEL. (877) 607-0202 FAX (877) 607-0203  
WWW.OXYGENLIGHTING.COM

**ASSEMBLY INSTRUCTIONS**